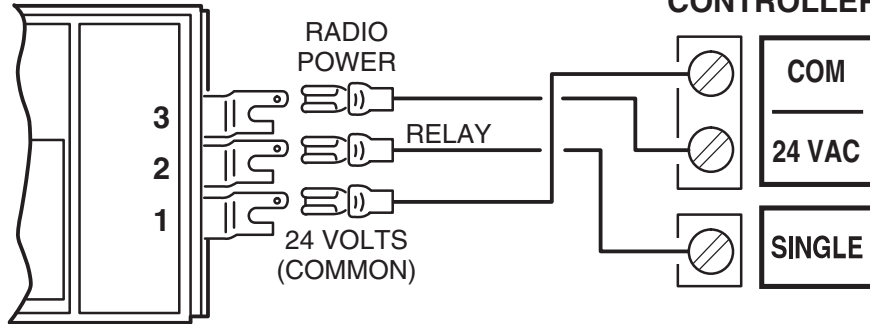


Radio Control Wiring for Commercial Door Operators with Solid State Controller

3-TERMINAL RADIO RECEIVER

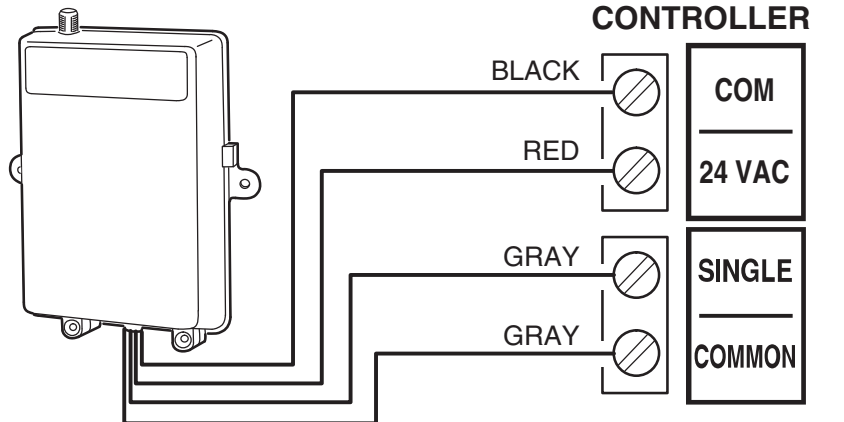


D.O.R.C.M.A. 3-TERMINAL RADIO WIRING STANDARD

- TERMINAL #1 ---- 24 VOLTS (COMMON)
- TERMINAL #2 ---- RELAY (N.O. RELAY)
- TERMINAL #3 ---- RADIO POWER (AC OR DC + IN)

Radio is powered from Terminals #1 & #3 (#1 is Common, #3 is Power)
Normally open relay output is on Terminals #1 & #2

4-WIRE RADIO RECEIVER



4-WIRE RADIO WIRING

- BLACK ---- COMMON
- RED ---- RADIO POWER (AC OR DC + IN)
- GRAY ---- RELAY (N.O. RELAY)
- GRAY ---- RELAY (N.O. RELAY)

All these brands are now under one name.

