

# Max 3 Output Module

## OVERVIEW:

The IEI Max 3 Output Module (M3-OM) adds 8 form C control relay outputs to a Max 3 Module. The module enables Secured Series customers to handle a greater number of applications such as elevator control, handicapped door control, and controlling or triggering a camera or DVR upon a card read or PIN code.

Version 8.0 or higher of Hub Manager Professional Software is required for the Output Module. The Output Module is compatible with the Max 3 v2 or higher controller.

Using the Max 3 Output Module will allow you to control multiple outputs for each Max 3 system user from any given reader or keypad. Hub Manager Professional software will allow you to specify a custom name and timer value for each of the 8 outputs. Each output can be set to toggle, or for timed operation. Any combination of these outputs can be assigned to a user and the user will trigger these outputs when they gain access.

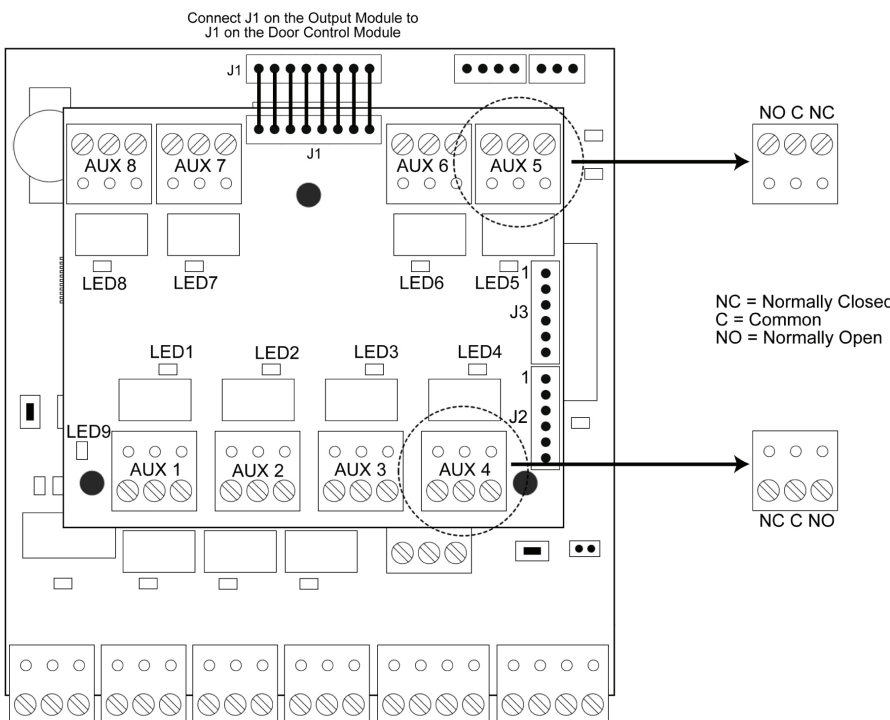
The Max 3 Output Module installs into and is powered from the Max 3 module. For faster installation and troubleshooting, each Output Module includes power LED and individual relay status LEDs. The Output Module comes packaged with Hub Manager Professional Software, wire harnesses, and mounting hardware.

## PRODUCT HIGHLIGHTS:

- Adds 8 form C Control relay outputs to a Max 3 module
- Includes power LED and individual relay status LEDs
- Ability to specify a custom name and timer value for each of the 8 outputs
- Convenient “stackable” mounting to the Max 3 module
- Securely installs in Max 3 and MiniMax 3 cabinet
- Primary and back-up power from Max 3 or MiniMax 3 system
- Plug & Play design

## EASE OF INSTALLATION:

As with the Max 3 modem, the Max 3 Output Module uses IEI’s new “stackable” design. The Output Module mounts directly on top of a Max 3 door module. A plug-in wire harness easily connects power and communication between the modules. Removable terminal blocks provide easy connection for each output relay to field wiring. All connections and wiring are secure within the locked Max 3 or MiniMax 3 cabinet.



SPECIFICATIONS	
<b>Mechanical:</b>	2.90" W x 3.45" L
<b>Environmental:</b>	Indoor only
<b>Temperature tolerance:</b>	32° F to 120° F (0° C to 49° C)
<b>Software compatibility:</b>	Hub Manager Professional version 8.0 or higher
<b>Controller compatibility:</b>	Max 3 v2 controller type or higher
<b>Electrical:</b>	
Operating voltage:	12 VDC from Max 3 Control Module
Current draw:	142 mA
Aux Relay Contact Rating:	12 – 24 VAC/DC 1A
<b>System Compatibility:</b>	Hub Manager Professional Version 8.0 (or higher)

ORDERING INFORMATION:	
Marketing #	Description
<b>M3-OM</b>	Adds 8 form C control relay outputs to Max 3 module for applications such as elevator control. Installs onto and is powered from Max 3 module. Includes power LED and individual relay status LEDs. System requirements: Software must be Hub Manager Professional v 8.0 or higher. Package includes software, wire harnesses, and mounting hardware.

