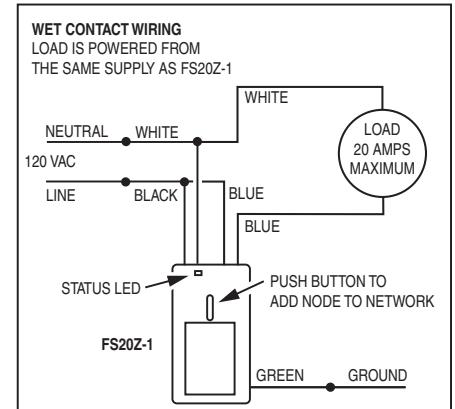
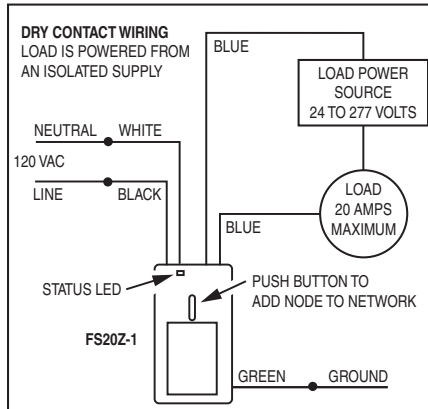
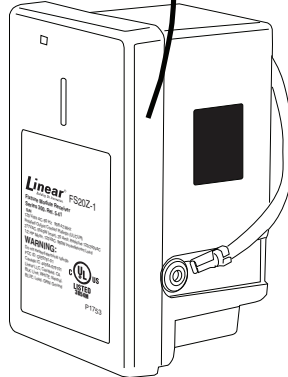


**Z-Wave Radio Frequency (RF) Controlled, 120 VAC
Scene Capable, Isolated Contact Fixture Module, Series 300**



NOTE: This unit must be added to the Network **only where it will be permanently installed**. The proper operation of this node in the mesh network is dependent on it knowing its location with respect to other nodes. You cannot "test bench" configure this unit, then install.

FS20Z-1 DUPLEX RECEPTACLE

The GoControl™ family of Z-Wave® certified wireless lighting products (smart LED fixtures, bulbs, switches, dimmers, outlets, plug-in modules, and thermostats) and security devices (alert sounder, motion sensor, and door/window sensor) bring a new level of intelligent wireless capability to commercial and residential environments.

The Z-Wave wireless protocol is an international wireless standard for remote home automation, security and other applications. This product can be included and operated in any Z-Wave network with other Z-Wave certified devices from other manufacturers and/or other applications. All non-battery operated nodes within the network will act as repeaters regardless of vendor to increase reliability of the network.

GoControl Z-Wave products are easy to install, are Z-Wave certified, and allow dealers to create an integrated wireless network with nearly limitless expansion and interoperability with security, energy management, home entertainment, appliances, and more.

DANGER! SHOCK HAZARD. Read and understand these instructions before installing. This device is intended for installation in accordance with the National Electric code and local regulations in the United States, or the Canadian Electrical Code and local regulations in Canada. It is recommended that a qualified electrician perform this installation. Make sure the total load controlled does not exceed 20 amps.

For indoor use only. Retain instructions for future use.

INSTALLATION

Wire this module in series with a 20 amp (maximum) load according to one of the diagrams above. The FS20Z-1 has an isolated relay output on the two BLUE wires. BLACK is for the 120 VAC Line. WHITE is for the 120 VAC Neutral. With dry contact wiring, the load is powered by a separate source. With wet contact wiring, the load is powered from the same source as the FS20Z-1.

Fixture Mounted Configuration

Push the button on the face to configure the module to operate from the Wireless Controller. With the Wireless Controller, the FS20Z-1 can be switched ON and OFF remotely, and can be included in groups of lights that operate at the same time (a group can also be a single module), and in scenes that set a lighting mood.

Other Functions

The button on the FS20Z-1 also plays a role as a reset in addition to including the module in groups and scenes. This is described in more detail in the Wireless Controller instructions.

Over-current Protection

The FS20Z-1 is protected by an internal fuse. This internal fuse is factory serviceable only. Check the home circuit breakers before concluding that the product must be returned.

Adding to a network:

See the Wireless Controller operating instructions for details to include this module under the command of the Wireless Controller.

1. Prepare the Controller to include a unit to the network, by adding it to a group (method of adding a node to the network). Refer to Controller instructions.
2. The FS20Z-1 must be in its permanently installed location. Press the button on the FS20Z-1 once.
3. You should see an indication on your Controller that the "DEVICE WAS INCLUDED" in the network.

✓ **NOTE:** If you have trouble adding the FS20Z-1 to a group it may be that the Home ID and Node ID were not cleared from it after testing. You must first "RESET UNIT" with your controller to remove it from the network. Although adding it to a group includes it in the network, removing it from a group does not remove it from the network. If removed from a group, it functions only as a repeater.

Removing from a network:

The FS20Z-1 can be removed from the network by the Controller/Gateway. Refer to the Controller operating instructions for details.

1. Set the Controller into Removal Mode and follow its instruction to delete the FS20Z-1 from the Controller.
2. Remove the module by tapping the button three times, then press and hold.
3. You should see an indication on your Controller that the "device was removed" from the network.

BASIC OPERATION

Button (Local Control)

For testing, the button on the FS20Z-1 allows the installer to turn the load ON or OFF.

- Tapping button toggles the load attached ON or OFF.
- Also used to include or exclude the module from the Z-Wave system.

When a Controller prompts to "Send Node ID" or to "Press Button on Unit", quickly tap the button once to satisfy those instructions. (Tapping the button also toggles the load attached ON or OFF.)

Remote Control

The FS20Z-1 will respond to BASIC, BINARY, and SCENE commands that are part of the Z-Wave system. Refer to your Controller's instructions as to whether your Controller can transmit those commands.

ADVANCED OPERATION

All On/All Off

The FS20Z-1 supports the ALL ON / ALL OFF commands. The module can be set to respond to ALL ON and ALL OFF commands four different ways. Refer to your Controller for information on how to set the module to operate in the manner you desire. Some Controllers may be only able to set certain settings of ALL ON / ALL OFF response.

The four different ways the dimmer can be setup are:

- Module responds to ALL ON and the ALL OFF command.
- Module responds to ALL OFF command but will not to ALL ON command.
- Module responds to ALL ON command but will not to ALL OFF command.
- Module does not respond to ALL ON or ALL OFF command.

SPECIFICATIONS

| | |
|----------------------------|--|
| Power: | 120 VAC, 60 Hz |
| Signal (Frequency): | 908.42 MHz |
| Maximum Load: | Isolated Contacts: 20 amps G.P. maximum, 277 VAC, 10FLA, 60LRA, 250VAC, Motor: 1 H.P. maximum, 120/240 VAC |
| Incandescent: | TV8 (Tungsten), 120 VAC, 960W maximum |
| Range: | Up to 100 feet line of sight between the Controller and or closest Z-Wave Receiver module. |

Z-Wave® and Z-Wave Plus® are registered trademarks of Sigma Designs and its subsidiaries in the United States and other countries.

REGULATORY INFORMATION

The FS20Z-1 is certified to comply with applicable FCC and IC rules and regulations governing RF and EMI emissions.

This device complies with part 15 of the FCC Rules. Operation is subject to the following two conditions: (1) This device may not cause harmful interference, and (2) This device must accept any interference received, including interference that may cause undesired operation.

FCC Notice

This equipment has been tested and found to comply with the limits for a Class B digital device, pursuant to Part 15 of the FCC Rules. These limits are designed to provide reasonable protection against harmful interference in a residential installation.

This equipment generates, uses, and can radiate radio frequency energy and, if not installed and used in accordance with the instructions may cause harmful interference to radio communications. However, there is no guarantee that interference will not occur in a particular installation. If this equipment does cause harmful interference to radio or television reception, which can be determined by turning the equipment off and on, the user is encouraged to try to correct the interference by one or more of the following measures:

- Reorient or relocate the receiving antenna.
- Increase the separation between the equipment and receiver
- Connect the equipment into an outlet on a circuit different from that to which the receiver is connected
- Consult the dealer or an experienced radio/TV technician to help.
- Changes or modifications not expressly approved by the party responsible for compliance could void the user's authority to operate the equipment

IC Notice

This Class B digital apparatus complies with Canadian ICES-003

Cet appareil numérique de la classe B est conforme à la norme NMB-003 du Canada. Le présent appareil est conforme aux CNR d'Industrie Canada applicables aux appareils radio exempts de licence. L'exploitation est autorisée aux deux conditions suivantes : (1) l'appareil ne doit pas produire de brouillage, et (2) l'utilisateur de l'appareil doit accepter tout brouillage radioélectrique subi, même si le brouillage est susceptible d'en compromettre le fonctionnement.

This device complies with the Industry Canada license exempt RSS standard(s). Operation is subject to the following two conditions: (1) this device may not cause interference, and (2) this device must accept any interference, including interference that may cause undesired operation of the device.

WARRANTY

What is Covered?

Nortek Security & Control ("NS&C") warrants to consumers who purchase this product for personal, family or household purposes new from NS&C directly or from an authorized NS&C dealer, that the product will be free from defects in materials and workmanship for a period of (1) year from the date of purchase. This warranty only applies if the product is installed at a residence in the 50 United States or District of Columbia, and only at the site of the original installation. It is not transferable. This warranty is not extended to resellers.

If a defect exists, NS&C will have you ship the defective part or product to us and we will, at our option, either repair or replace it.

This warranty does not cover defects or damages caused by improper handling, maintenance, storage, installation, removal or re-installation, misuse, non-factory authorized modification or alteration, use of incompatible accessories, electrical power problems or surges, impact by foreign objects, accident, fire, acts of God, normal wear and tear or shipping damage other than a shipment from NS&C. Note that all NS&C products are designed to be installed, removed and serviced by trained individuals or professionals.

Keep your original sales receipt as it will be required to obtain warranty service.

This warranty shall not be extended or restarted upon receipt of any repaired or replacement part or product under this warranty. No person is authorized to extend or otherwise modify this warranty.

How do I Obtain Warranty Service?

To obtain warranty service, email our Returns Department at returns@nortek.com. Include your name, address, telephone number, the model number of your product, a copy of your original sales receipt, and a description of the problem. Unless we need to discuss the situation further with you, you will be emailed a Return Authorization Number and shipping instructions. If we need to discuss the situation further with you, we will call or email you. NS&C may require troubleshooting on installed product before a Return Authorization Number is issued. Anything shipped to us without a Return Authorization Number will be automatically returned unopened. You are responsible for the charges for shipment to us, unless you are a California resident.

Limitations

THE DURATION OF ANY IMPLIED WARRANTY, INCLUDING THE WARRANTIES OF MERCHANTABILITY AND FITNESS FOR A PARTICULAR PURPOSE, SHALL NOT EXCEED THE WARRANTY PERIOD PROVIDED HEREIN.

Some states do not allow limitations on how long an implied warranty lasts, so the above limitation may not apply to you.

NS&C SHALL NOT BE LIABLE FOR ANY INCIDENTAL OR CONSEQUENTIAL DAMAGES RESULTING FROM THE BREACH OF ANY WRITTEN OR IMPLIED WARRANTY.

Some states do not allow limitations on how long an implied warranty lasts, so the above limitation may not apply to you.

This warranty gives you specific legal rights, and you may also have other legal rights which vary from State to State.

IMPORTANT !!!

Radio controls provide a reliable communications link and fill an important need in portable wireless signaling. However, there are some limitations which must be observed.

- For U.S. installations only: The radios are required to comply with FCC Rules and Regulations as Part 15 devices. As such, they have limited transmitter power and therefore limited range.
- A receiver cannot respond to more than one transmitted signal at a time and may be blocked by radio signals that occur on or near their operating frequencies, regardless of code settings.
- Changes or modifications to the device may void FCC compliance.
- Infrequently used radio links should be tested regularly to protect against undetected interference or fault.
- A general knowledge of radio and its vagaries should be gained prior to acting as a wholesale distributor or dealer, and these facts should be communicated to the ultimate users.


NORTEK
SECURITY & CONTROL
USA & Canada (800) 421-1587 & (800) 392-0123
(760) 438-7000 - Toll Free FAX (800) 468-1340
www.nortekcontrol.com