

BELT AND CHAIN DRIVE OPERATOR RAILS HAVE NEW PART NUMBERS

Linear’s belt and chain drive T-rails for its Model LDO and LSO professional Garage Door Operators have been upgraded for compatibility with a future Carriage House garage door operator conversion rail assembly.

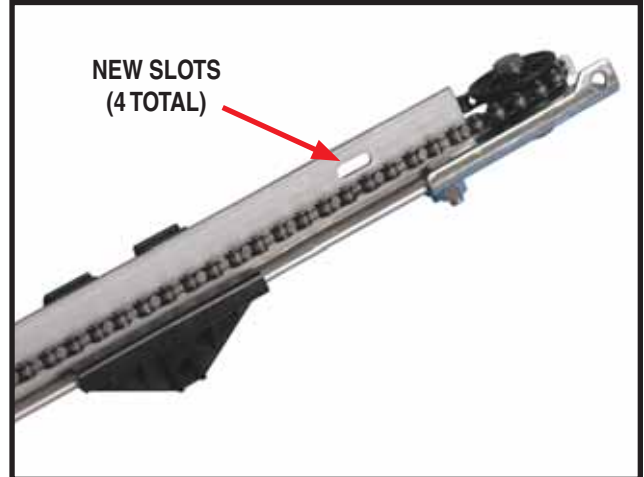
The new rails include four slots machined into the design. **Except for the four slots, the rails are identical to the previous rails.** Each rail has been assigned a new part number and a new UPC code for easy identification.

Refer to the following table for referencing the old and new rail part numbers:

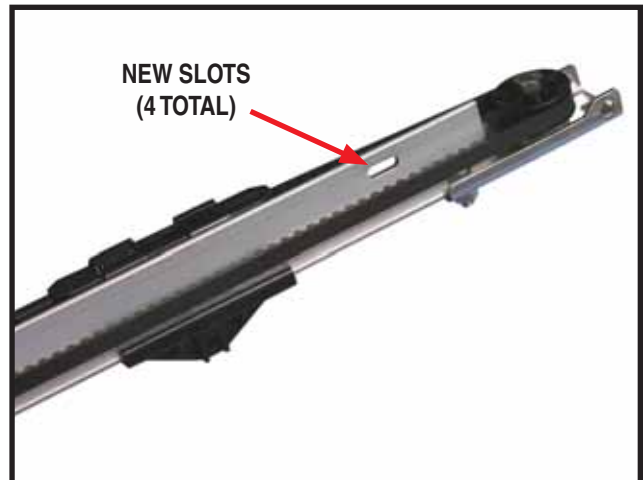
OLD MODEL	DESCRIPTION	NEW MODEL
HBT7	7-FOOT BELT DRIVE RAIL	HBT7C
HCT7	7-FOOT CHAIN DRIVE RAIL	HCT7C
HBT8A	8-FOOT BELT DRIVE RAIL	HBT8C
HCT8A	8-FOOT CHAIN DRIVE RAIL	HCT8C
HCT10	10-FOOT CHAIN DRIVE RAIL	HCT10C

Refer to the following table for the new UPC codes for each model of rail:

MODEL	DESCRIPTION	UPC CODE
HBT7C	7-FOOT BELT DRIVE RAIL	093863115813
HCT7C	7-FOOT CHAIN DRIVE RAIL	093863115790
HBT8C	8-FOOT BELT DRIVE RAIL	093863115820
HCT8C	8-FOOT CHAIN DRIVE RAIL	093863115783
HCT10C	10-FOOT CHAIN DRIVE RAIL	093863115802



HCT7C, HCT8C, and HCT10C
 Chain Drive Operator Rails



HBT7C and HBT8C
 Belt Drive Operator Rails