

## Connecting 3-Terminal Radios to an Apex Gate Controller

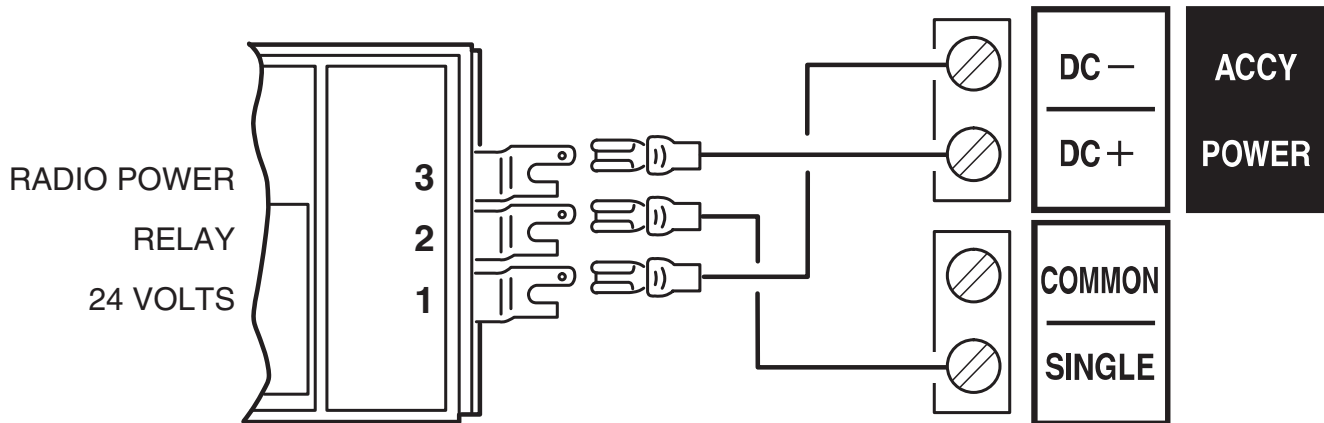
3-terminal radio receivers can be connected to Linear's gate operators that contain the Apex Controller.

Refer to the diagram to connect the radio receiver's three terminals to the Apex Controller's auxiliary power output terminals and single-button input terminal.

✓ **NOTE:** The Apex Controller contains a built-in MegaCode radio receiver. To avoid crosstalk, when using an external receiver with the Controller, either disable the built-in receiver through programming, or be sure the two receiver antennas are at least 15 feet apart.

### 3-TERMINAL RADIO RECEIVER

### APEX CONTROLER



### D.O.R.C.M.A. 3-TERMINAL RADIO WIRING STANDARD

- TERMINAL #1 ---- 24 VOLTS (COMMON)
- TERMINAL #2 ---- RELAY (N.O. RELAY)
- TERMINAL #3 ---- RADIO POWER (AC OR DC + IN)

Radio is powered from Terminals #1 & #3 (#1 is Common, #3 is Power)  
Normally open relay output is on Terminals #1 & #2

All these brands are now under one name.