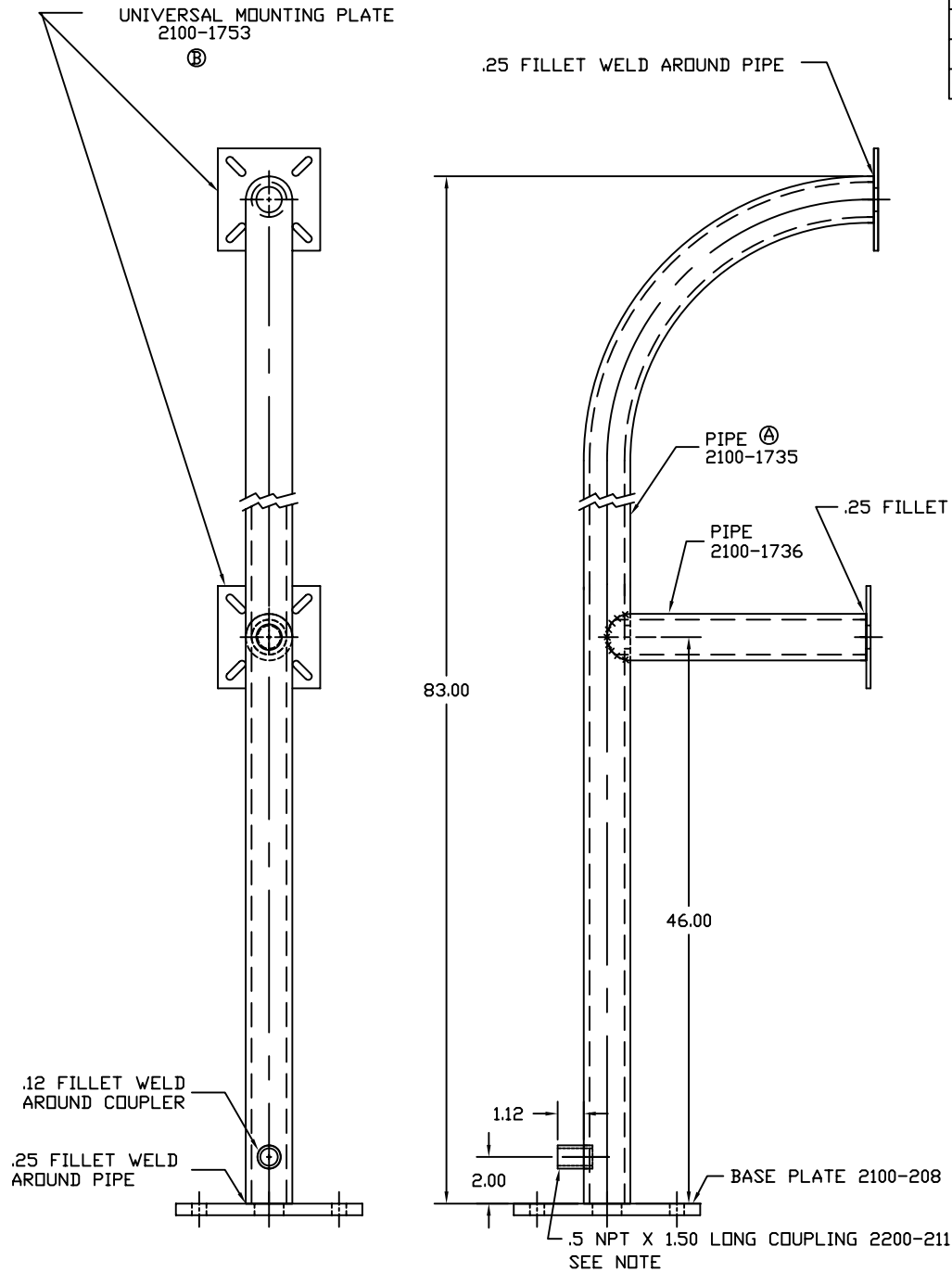


### REVISIONS

CODE	DATE	DESCRIPTION	BY
A	7/2/02	REMOVE 83"	LH
B	4/5/07	SEE PRINT 2100-1753 INCREASE HOLES SIZE FROM 1.00 TO 1.50	KR



NOTE: FABRICATED AS 2120-428-BLK  
SOLD AS 2120-428-BT

NOTE: ENTRANCE FEED CAN BE EITHER THROUGH THE COUPLING SUPPLIED, OR IF DESIRED, UNDER GROUND THROUGH THE BASE PLATE.

UNLESS OTHERWISE SPECIFIED DIMENSIONS ARE IN INCHES TOLERANCES FRACTIONS ± 1/32 ANGLES ± 1° 2 PLACE DECIMALS ± .015 3 PLACE DECIMALS ± .005		CUSTOMER		OPERATOR SPECIALTY CO., INC CASNOVIA, MI 49318 1-800-333-1717 / 616-675-5050		<b>OSCO</b>
MATERIAL		PROJECT		BI LEVEL GOOSENECK STAND WITH UNIVERSAL MOUNTING PLATES		
PREPARED	BY	DATE	SIZE	FORMER DWG. NO.	DWG. NO.	
CHECKED	JJ	11-30-99	C		2120-428	
APPROVED			SCALE	NONE	REV.	SHEET OF