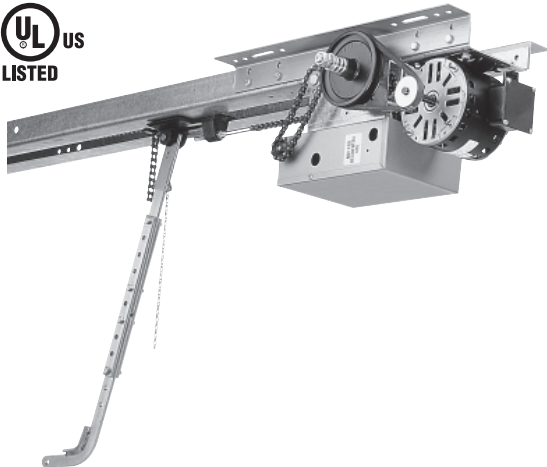


MD SERIES

Medium Duty Drawbar Commercial Door Operator



Product No. MD5011

DOOR TYPE	MAXIMUM DOOR AREA (SQ. FEET)
Fiberglass	310
Steel-24 Ga. Steel-22 Ga. Aluminum	260
Wood Steel-20 Ga. Steel-24 Ga. insulated	225
Steel-16 Ga. Steel-20 Ga. insulated	150
Steel-16 Ga. insulated	100

1/2 HP Drawbar garage door operator for standard lift sectional doors.

RATINGS

- 115 VAC, Single phase, 1/2 HP only
- Maximum duty cycle: 10 cycles per hour, 75 cycles per day
- Maximum door height: 14 feet
- Shipping weight: 115 lbs.

FEATURES

- All Steel Frame
- V-Belt drive from motor to clutch shaft
- Adjustable friction clutch
- Full #65 Roller Chain Drive
- Quick release door arm for manual door operation
- Standard door speed is approximately 11 inches per second
- Standard rail & chain assembly for door up to 12' 6" high
- **Solid state or electromechanical control circuit**
- Motor overload protection
- Wired to accept reversing devices
- Internally adjustable limit switches
- 1/2 HP rigid base permanent split capacitor motor
- 24-Volt control circuit with OPEN, CLOSE and STOP button station
- OPEN button (and single button) will automatically override down travel and reverse door to the full open position
- External terminals for single button (residential type) radio control

RAIL OPTIONS

- Rail for up to 14' 6" high doors

FACTORY OPTIONS

- Solid state controller: Add S to model number
- Solenoid brake: Add -BK to model number
- MVP-MR 3-channel open-close-stop modular receiver installed (on solid state controller model only): P/N 2650-159
- MVP-RE-24V-8W-FC 1-door open-close-stop receiver (for electromechanical controller model only): P/N 190-110554

WARRANTY

- 2 years

Solid State Control

MD Series

DRAWBAR OPERATOR
Medium-Duty Commercial Operator

CUSTOMER

PROJECT

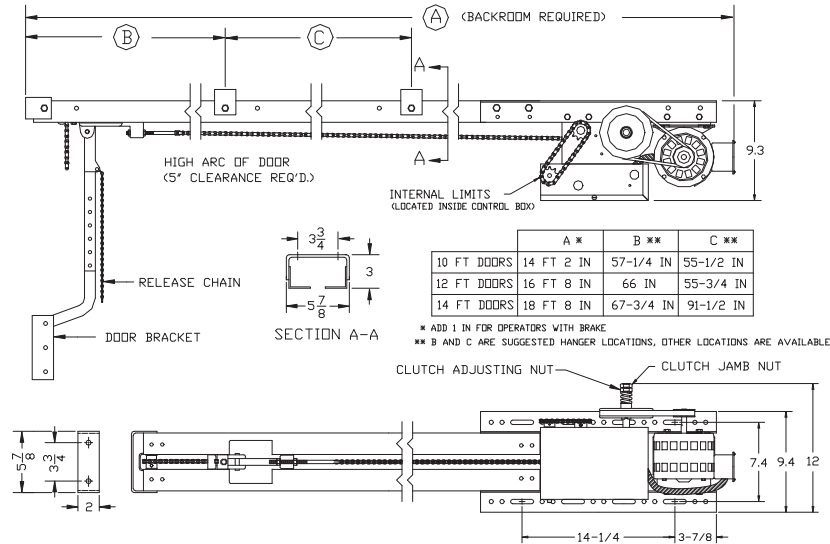
ARCHITECT/ENGINEER

CONTRACTOR

DRAWING NUMBER

DATE

SHEET OF



ORDERING INFORMATION:

SUPPLY _____ LINEAR OPERATOR(S) MODEL MD 5011S _____
WITH A MOTOR RATING OF 1/2 HP, 115 VOLTS, 1 PHASE, 60 HERTZ
FOR A _____ WIDE X _____ HIGH DOOR(S) WITH _____
SUPPLY _____ OPEN-CLOSE-STOP CONTROL STATION(S) IN NEMA _____ ENCLOSURE PER OPERATOR

AUXILIARY AND OPTIONAL EQUIPMENT AS SPECIFIED BELOW OR ON ATTACHED SHEET:

ARCHITECTURAL SPECIFICATIONS (DRAWBAR):

Electric door operator(s) shall be Solid State Control Model MD of the trolley (drawbar) type, manufactured by Linear LLC and Underwriters Laboratory (UL) listed. Operators will be equipped with two-stage speed reduction (V-belt primary and roller chain and sprocket secondary) and an adjustable slip clutch. Each operator will have a double angle (nominal 11 gage, 2" X 2") trolley track of sufficient length to accommodate the height of the installed door. The trolley will be driven with roller chain. The door arm will be provided with a trolley disconnect for manual door operation. The operator will be equipped with an integral limit system that provides accurate settings to control the open and close positions of the door and will not be affected by manual door operation or motor removal. The motor and operator will be protected against overload by a thermal protector. The operator will have a 24VAC secondary solid state control circuit with advanced switch selectable features, motor load delivered via high amperage, inductive load rated relays. The operator will have provisions for connecting open-close-stop pushbutton stations, radio controls, and external obstruction sensing (reversing) systems. Operator will drive the door at a speed of approximately 8-10 inches per second.

NOTES:

REFER TO PRODUCT DATA SHEET FOR GENERAL INFORMATION
REFER TO DRAWING _____ FOR WIRING DIAGRAM

LINEAR LLC
1950 Camino Vida Roble Ste. 150
Carlsbad, CA 92008
Copyright © 2010 Linear LLC P891 X1

Phone 800-421-1587
Fax 800-468-1340
Website www.linearcorp.com

