

# Configure

Security made easy.

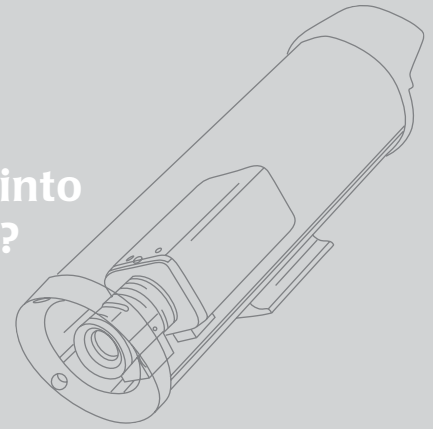
*aigis*  
mechtronics





## Why spend time installing cameras into housings when Aigis can do it for you?

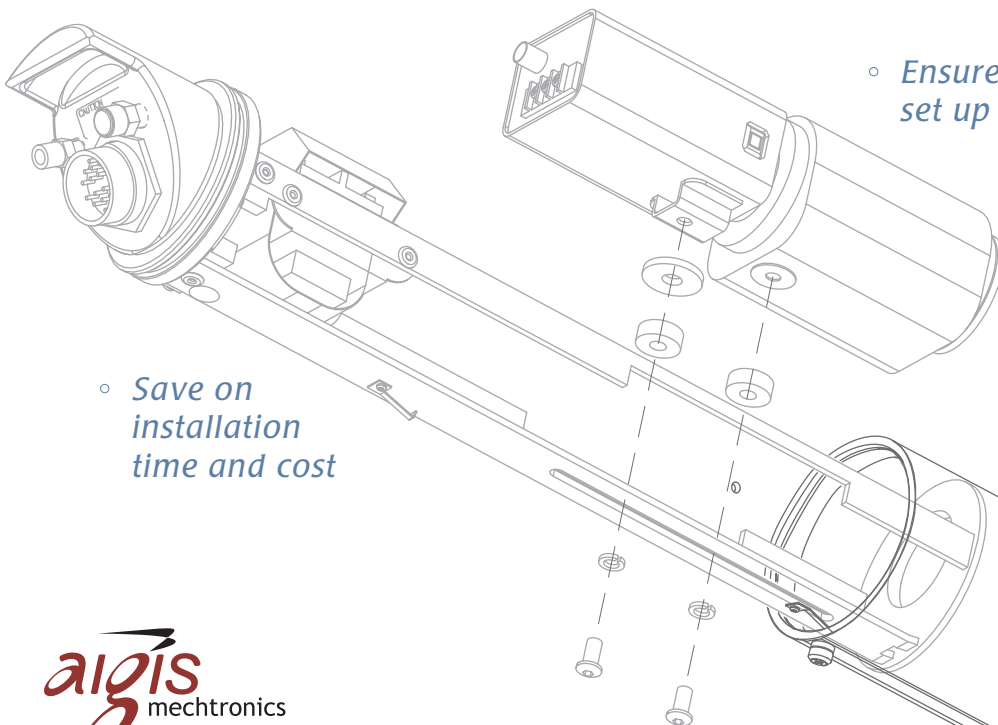
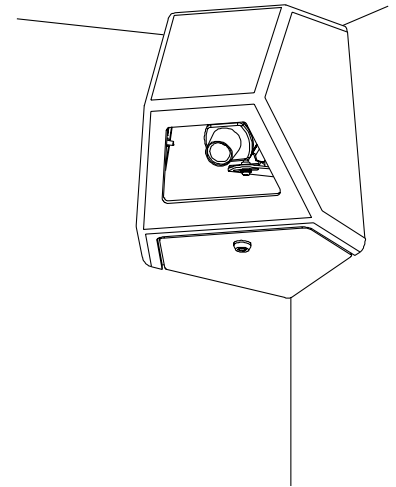
Aigis will factory configure any of its housings with a camera and lens of your choice. Every package can be completely pre-wired and backfocused making it truly plug & play.



# Aigis Custom Configuration

Specify the camera you are currently using -- or Aigis can make a recommendation based on your specific application. Aigis will work closely with you to configure a product that meets your needs.

Aigis also offers a variety of smaller compact products with integrated board camera/lens combinations. Simply choose from the options listed in Aigis' ordering guides -- or contact us with your special requirements.



- *Save on installation time and cost*

- *Ensure optimal performance when set up and tested at factory*

- *Reduce mistakes when specifying camera and lens combinations*



mechtronics

©2003 Aigis Mechtronics

1124 Louise Road, Winston-Salem, NC 27107-5450

Tel: 336.785.7740 Fax: 336.785.7744

www.aigismech.com

07/03 rev\_00  
Printed in U.S.A.