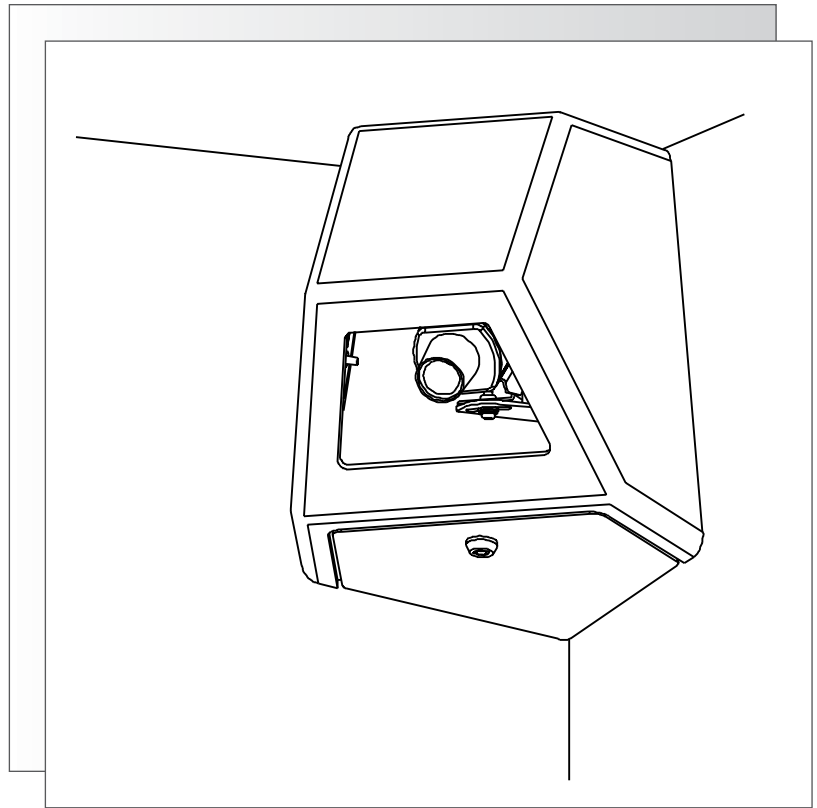



## Corner Security Housings



**HS9303 SERIES**

## IMPORTANT SAFEGUARDS



1. Read Instructions - All the safety and operating instructions should be read before the unit is operated.
  2. Retain Instructions - The safety and operating instructions should be retained for future reference.
  3. Heed Warnings - All warnings on the unit and in the operating instructions should be adhered to.
  4. Follow Instructions - All operating and use instructions should be followed.
  5. Cleaning - Unplug the unit from the outlet before cleaning. Do not use liquid cleaners or aerosol cleaners. Use a damp cloth for cleaning.
  6. Attachments - Do not use attachments not recommended by the product manufacturer as they may cause hazards.
  7. Accessories - Do not place this unit on an unstable stand, tripod, bracket, or mount. The unit may fall, causing serious injury to a person and serious damage to the unit. Use only with a stand, tripod, bracket, or mount recommended by the manufacturer or sold with the product. Any mounting of the unit should follow the manufacturer's instructions and should use a mounting accessory recommended by the manufacturer.
-  An appliance and cart combination should be moved with care. Quick stops, excessive force, and uneven surfaces may cause the appliance and cart combination to overturn.
8. Ventilation - Openings in the enclosure, if any, are provided for ventilation, to ensure reliable operation of the unit, and to protect it from overheating. These openings must not be blocked or covered. This unit should not be placed in a built-in installation unless proper ventilation is provided or the manufacturer's instructions have been adhered to.
  9. Power Sources - This unit should be operated only from the type of power source indicated on the marking label. If you are not sure of the type of power supply you plan to use, consult your appliance dealer or local power company. For units intended to operate from battery power or other sources, refer to the operating instructions.
  10. Grounding or Polarization - This unit may be equipped with a polarized alternating-current line plug (a plug having one blade wider than the other). This plug will fit into the power outlet only one way. This is a safety feature. If you are unable to insert the plug fully into the outlet, try reversing the plug. If the plug should still fail to fit, contact your electrician to replace your obsolete outlet. Do not defeat the safety purpose of the polarized plug. Alternately, this unit may be equipped with a 3-wire grounding-type plug, a plug having a third (grounding) pin. This plug will only fit into a grounding-type power outlet. This is a safety feature. If you are unable to insert the plug into the outlet, contact your electrician to replace your obsolete outlet. Do not defeat the safety purpose of the grounding-type plug.
  11. Power Cord Protection - Power supply cords should be routed so that they are not likely to be walked on or pinched by items placed upon or against them, paying particular attention to cords and plugs, convenience receptacles, and the point



where they exit from the appliance.

12. Power Lines - An outdoor system should not be located in the vicinity of overhead power lines or other electric light or power circuits or where it can fall into such power lines or circuits. When installing an outdoor system, extreme care should be taken to keep from touching such power lines or circuits as contact with them might be fatal. U.S.A. models only - refer to the National Electrical Code Article 820 regarding installation of CATV systems.
13. Overloading - Do not overload outlets and extension cords as this can result in a risk of fire or electric shock.
14. Object and Liquid Entry - Never push objects of any kind into this unit through openings, as they may touch dangerous voltage points or short out parts that could result in a fire or electric shock. Never spill liquid of any kind on the unit.
15. Servicing - Do not attempt to service this unit yourself as opening or removing covers may expose you to dangerous voltage or other hazards. Refer all servicing to qualified service personnel.
16. Damage Requiring Service - Unplug the unit from the outlet and refer servicing to qualified service personnel under the following conditions:
  - a. When the power supply cord or plug is damaged.
  - b. If liquid has been spilled or objects have fallen into the unit.
  - c. If the unit has been exposed to rain or water.
  - d. If the unit does not operate normally by following the operating instructions. Adjust only those controls that are covered by the operating instructions, as an improper adjustment of other controls may result in damage and will often require extensive work by a qualified technician to restore the unit to its normal operation.
  - e. If the unit has been dropped or the cabinet has been damaged.
  - f. When the unit exhibits a distinct change in performance--this indicates a need for service.
17. Replacement Parts - When replacement parts are required, be sure the service technician has used replacement parts specified by the manufacturer or have the same characteristics as the original part. Unauthorized substitutions may result in fire, electric shock, or other hazards.
18. Safety Check - Upon completion of any service or repairs to this unit, ask the service technician to perform safety checks to determine that the unit is in proper operating condition.
19. Coax Grounding - If an outside cable system is connected to the unit, be sure the cable system is grounded. U.S.A. models only--Section 810 of the National Electrical Code, ANSI/NFPA No.70-1981, provides information with respect to proper grounding of the mount and supporting structure, grounding of the coax to a discharge unit, size of grounding conductors, location of discharge unit, connection to grounding electrodes, and requirements for the grounding electrode.
20. Lightning - For added protection of this unit during a lightning storm, or when it is left unattended and unused for long periods of time, unplug it from the wall outlet and disconnect the cable system. This will prevent damage to the unit due to lightning and power line surges.

### SAFETY PRECAUTIONS:



This label may appear on the bottom of the unit due to space limitations.

	<b>CAUTION</b> RISK OF ELECTRIC SHOCK. DO NOT OPEN!	
<b>CAUTION: TO REDUCE RISK OF ELECTRICAL SHOCK, DO NOT OPEN COVERS. NO USER SERVICEABLE PARTS INSIDE. REFER SERVICING TO QUALIFIED SERVICE PERSONNEL.</b>		

-  The lightning flash with an arrowhead symbol within an equilateral triangle is intended to alert the user to the presence of uninsulated "dangerous voltage" within the product's enclosure that may be of sufficient magnitude to constitute a risk of electric shock to persons.
-  The exclamation point within an equilateral triangle is intended to alert the user to presence of important operating and maintenance (servicing) instructions in the literature accompanying the appliance.



**SECURITE:** En raison de limitation de place, cette étiquette peut être placée sur le dessous de l'appareil.

	<b>ATTENTION</b> RISQUE DE COUCURE ELECTRIQUE. NE PAS OUVRIR	
<b>DANGER: POUR ÉVITER TOUT RISQUE D'ÉLECTROCUTION, NE PAS OUVRIR LE BOÎTIER. IL N'Y A PAS DE PIÈCES REMPLAÇABLES À L'INTÉRIEUR. POUR TOUTE RÉVISION, S'ADRESSER À UN TECHNICIEN SPÉCIALISÉ.</b>		



-  L'éclair fléché dans un triangle équilatéral, avertit l'utilisateur de la présence d'une "tension dangereuse" non isolée à l'intérieur de l'appareil et d'une valeur suffisante pour constituer un risque d'électrocution.
-  Le point d'exclamation contenu dans un triangle équilatéral, avertit l'utilisateur de la présence, dans la documentation qui accompagne l'appareil, de consignes d'utilisation et de maintenance importantes.



**SICHERHEITSVORKEHRUNGEN:** Aus Platzgründen kann diese Warnung auf der Unterseite des Gerätes angebracht sein.

	<b>VORSICHT</b> STROMSCHLÄGGEFAHR! BITTE NICHT ÖFFNEN!	
<b>VORSICHT: UM EINEN ELEKTRISCHEN SCHLAG ZU VERMEIDEN, ABDECKUNG NICHT ENTFERNEN. WARTUNGEN ALLER ART QUALIFIZIERTEM PERSONAL ÜBERLASSEN.</b>		

-  Das Blitzsymbol im gleichseitigen Dreieck soll den Benutzer auf nicht isolierte "Hochspannung" im Gehäuse aufmerksam machen, die eventuell stark genug ist, um einen elektrischen Schlag zu verursachen.
-  Das Ausrufezeichen im gleichseitigen Dreieck soll den Benutzer auf wichtige Bedienungs- und Wartungsanleitungen in der dem Gerät beigelegten Literatur aufmerksam machen.

**PRECAUCIONES DE SEGURIDAD:** Debido a limitaciones de espacio, esta etiqueta puede aparecer en la parte inferior de la unidad.

	<b>PRECAUCION</b> RIESGO DE CHOQUE ELECTRICO. NO ABRIR!	
<b>PRECAUCION: PARA REDUCIR EL RIESGO DE CHOQUE ELÉCTRICO, FAVOR NO ABRIR LA CUBIERTA. ESTE EQUIPO NO CONSTA DE PIEZAS O PARTES QUE REQUIEREN SERVICIO O MANTENIMIENTO. PARA REPARACIONES FAVOR REFERIRSE A UN TÉCNICO CALIFICADO.</b>		

-  El símbolo representado por un relámpago con punta de flecha dentro de un triángulo equilátero, se muestra con el objetivo de alertar al usuario que existen "voltajes peligrosos" sin aislamiento, dentro de la cubierta de la unidad. Dichos voltajes pueden ser de tal magnitud que constituyen un riesgo de choque eléctrico a personas.
-  El símbolo de exclamación dentro de un triángulo equilátero, se muestra con el objetivo de alertar al usuario de que instrucciones de operación y mantenimiento importantes acompañan al equipo.

## CONTENTS

1	UNPACKING .....	3
2	SERVICE .....	3
3	CARE AND MAINTENANCE .....	3
4	DESCRIPTION .....	3
5	INSTALLATION .....	4
5.1	Accessories .....	4
5.2	Disassembly .....	4
5.3	Mounting the Unit .....	5
5.4	Camera/Lens Installation .....	6
5.5	Final Assembly .....	6

## 1 UNPACKING

Unpack carefully. This is electro-mechanical equipment and should be handled with care.

Check for the following items:

- Model number of unit.
- Installation and Operating Instructions.

If an item appears to have been damaged in shipment, replace it properly in its carton and notify the shipper. If any items are missing, notify Aigis Mechatronics.

The shipping carton is the safest container in which the unit may be transported. Save it for possible future use.

## 2 SERVICE

If the unit ever needs repair service, the customer should contact Aigis Mechatronics for return authorization and shipping instructions, I-800-523-6500.

## 3 CARE AND MAINTENANCE

There are no moving parts in this unit. Regularly scheduled maintenance will help prolong the operation life of this unit. Clean the viewing window as needed with a mild, non-abrasive detergent in water and a soft cloth.

## 4 DESCRIPTION

The HS9303 Series are inside corner mounted security housings designed for applications such as prisons, parking garages, and hospitals. These housings are ideal for any application requiring secure CCTV monitoring.

For maximum protection and durability, the light weight cast aluminum design of the HS9303 Series housings provide the strength of 12 gage steel with the superior strength-to-weight ratio of aluminum. The standard viewing window is constructed of 9.5 mm (0.37 in) clear polycarbonate material, treated with a scratch-resistant coating. A removable bottom panel provides access to the camera and is secured using two tamper-resistant screws. A special tool is provided for screw removal.

Attractively styled, these housings are furnished without a full top cover and are designed to be corner mounted flush with the ceiling. Adding the optional Top Cover (not included) allows the housing to be mounted below the ceiling line. Other options include: a key lock on the access panel; a tinted 9.5 mm (0.37 in) viewing window; and a clear 12.7 mm (0.50 in) viewing window.

**WARNING:**  
To prevent fire or shock hazards, do not expose this unit or power supply to rain or moisture.

## 5 INSTALLATION

This installation should be made by qualified service personnel and conform to the National Electrical Code and applicable local codes.

### 5.1 Accessories

HS9313: Sloped top cover for housings mounted below the ceiling line.

Defogger kits are recommended for use in areas where condensation could cause fogging of the viewing window.

HS9313-6: 115 VAC, 50/60 Hz, 50 W thermostatically controlled defogger kit.

HS9313-2: 24 VAC, 50/60 Hz, 50 W thermostatically controlled defogger kit.

HS9313-5: 230 VAC, 50/60 Hz, 50 W thermostatically controlled defogger kit.

Do Not Exceed 30 VAC Input on 24 VAC models. Operation above 30 VAC violates low voltage operation (Class 2 Specifications). Normal operation is 24 VAC.

Maximum Camera/Lens Size: Housing accepts camera/lens combinations up to 267L x 102W x 76H mm (10.5 x 4.0 x 3.0 in) when using 1/4-inch, 1/3-inch and 1/2-inch format CCD cameras. Dimensions include standard connectors.

### 5.2 Disassembly

1. Remove the hardware kit from the outside of the housing.

The hardware kit should contain the following items:

- (1) 1/4-20 x 1/2" Button Head Flange Screw
- (1) Tamperproof Tool
- (2) Keys (-L Models only)

2. **All Models Except HS9303L:** Use the special tool provided to unscrew the front two tamperproof screws. Remove the access panel. **See Figure 1.**

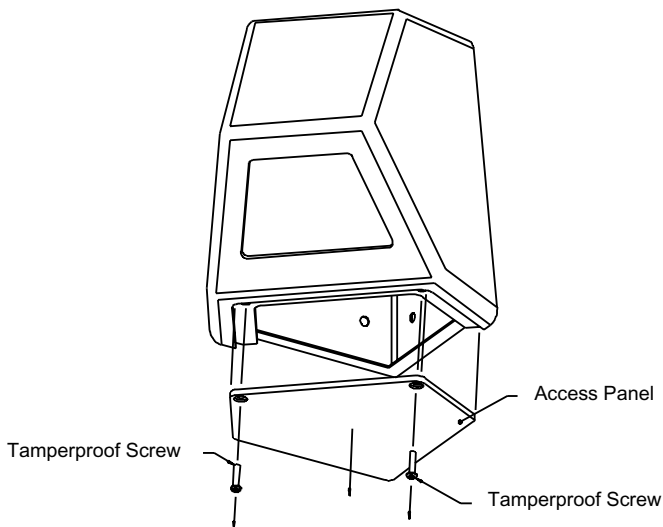


Figure 1: Removing Access Panel

**HS9303L:** Use the key provided to unscrew the lock. Remove the access panel. **See Figure 2.**

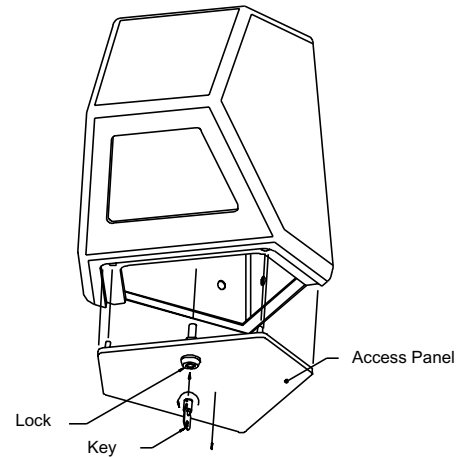


Figure 2: Removing Access Panel

3. Reach into the housing and remove the six flange nuts that attach the cover to the rear panel. Remove the cover. **See Figure 3.** Note: Do not lose these parts. They will be needed in reassembly.

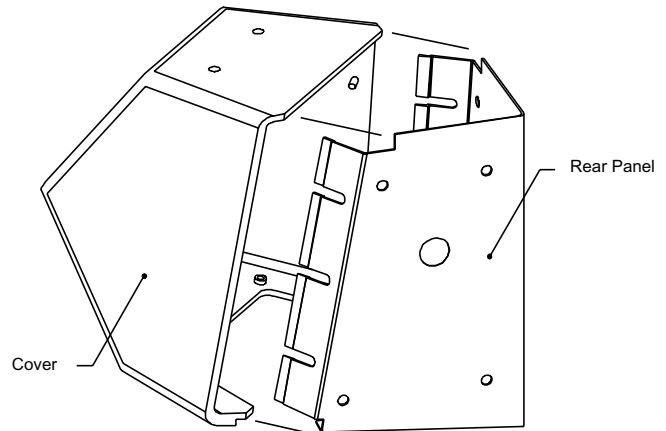


Figure 3: Removing the Cover

4. Unscrew the 2 flange nuts and remove the camera mounting system from the rear panel. **See Figure 4.**

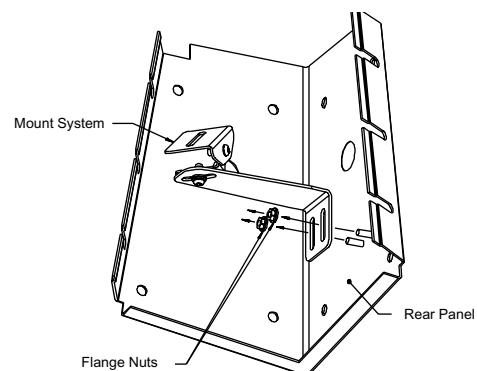
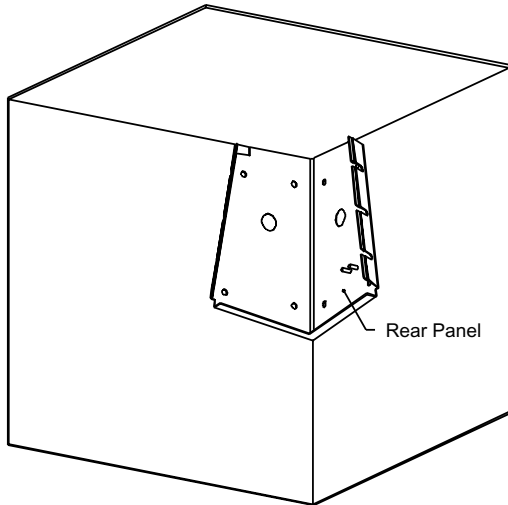


Figure 4: Removing the Mount System

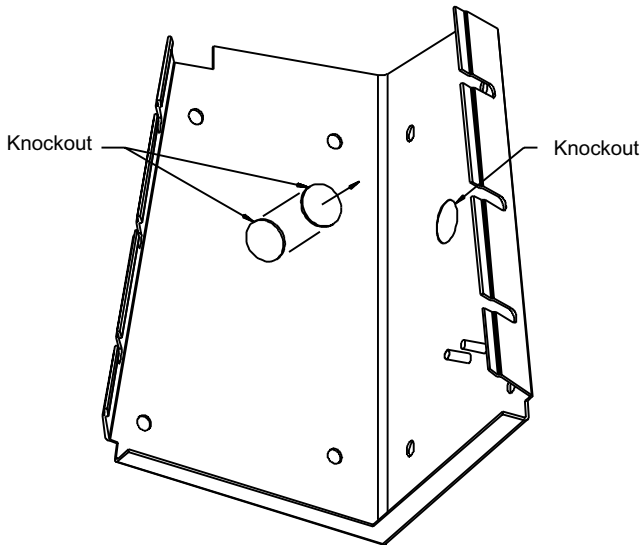
### 5.3 Mounting the Unit

1. Position the rear panel in the corner against the walls and ceiling. **See Figure 5.**  
Note: A smooth square surface is ideal for proper installation.



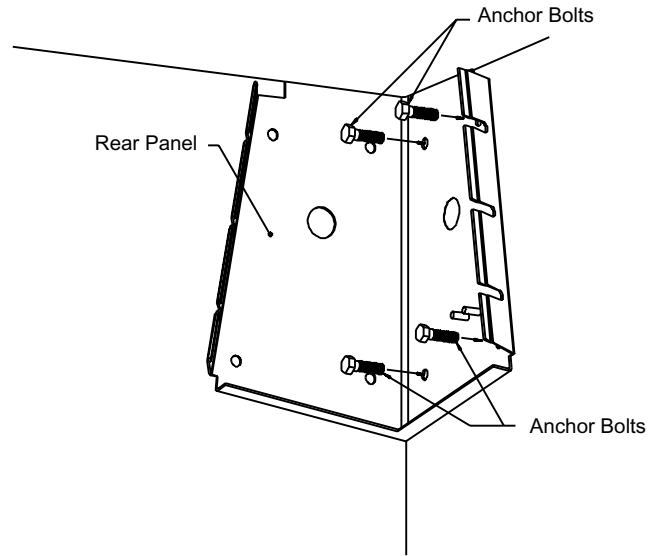
**Figure 5: Positioning the Rear Panel**

2. Mark the wall for bolt anchor holes. At least eight 8 mm (5/16 in) bolts will be needed.
3. Drill the holes.
4. Decide how wiring will be routed into the housing. If needed, remove the appropriate knockout (PG21 - 1 in). **See Figure 6.**

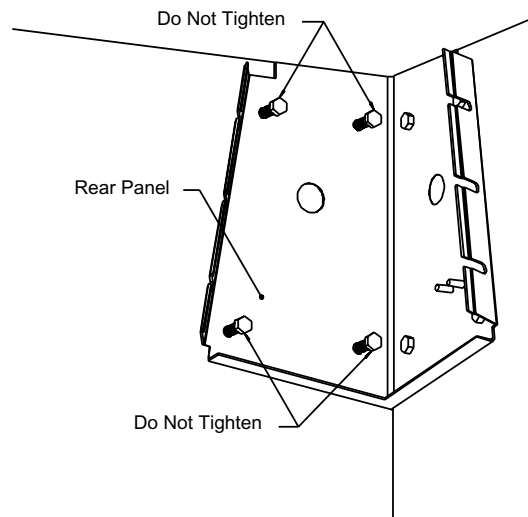


**Figure 6: Knockouts**

5. Mount the rear panel by installing only the right side anchor bolts. Start the left side bolts, but **DO NOT** tighten. **See Figures 7 and 8.**



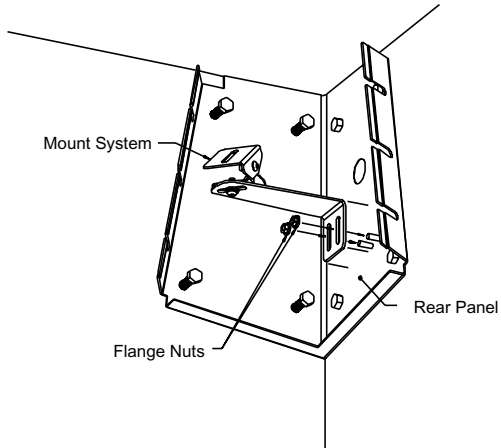
**Figure 7: Mounting Rear Panel**



**Figure 8: Mounting the Rear Panel**

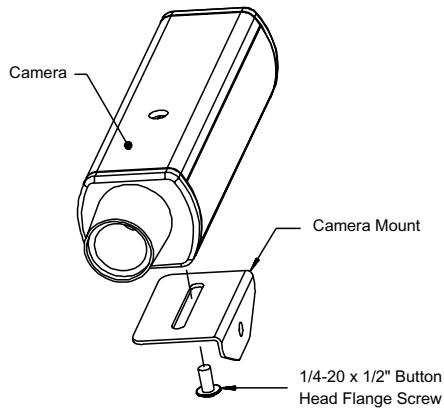
## 5.4 Camera/Lens Installation

1. Reattach the camera mounting system to the rear panel using two 6 mm flange nuts. **See Figure 9.**

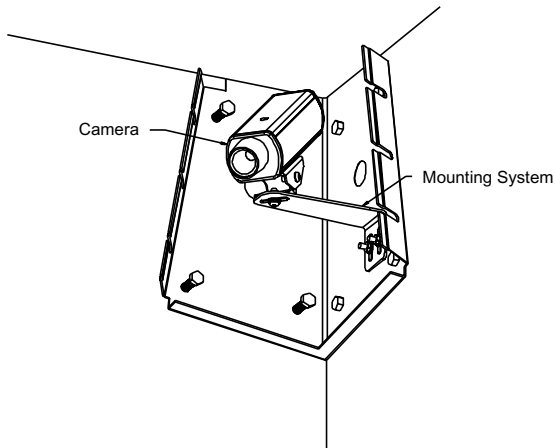


**Figure 9: Securing the Mount System**

2. Secure the camera to the camera mount using one 1/4-20 x 1/2" button head flange screw. **See Figure 10 and 11.**



**Figure 10: Camera Mount**

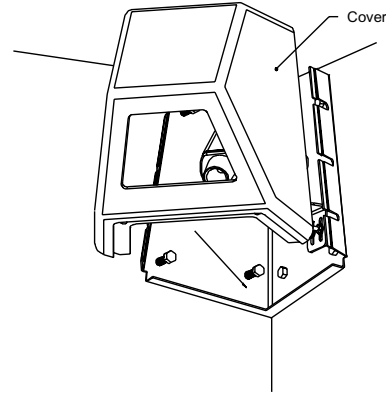


**Figure 11: Camera and Mount System**

3. Make all electrical connections to the camera. See individual camera and lens instructions.

## 5.5 Final Assembly

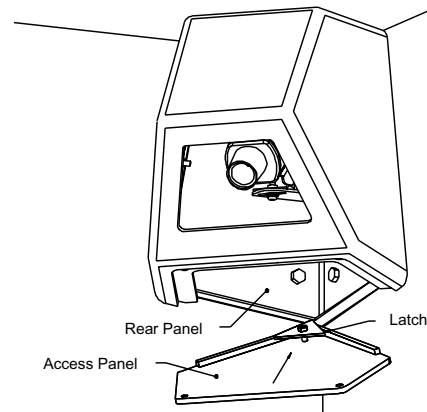
1. Mount the cover by aligning the studs with the slots on the rear panel. Secure using the six flange nuts. **See Figure 12.**



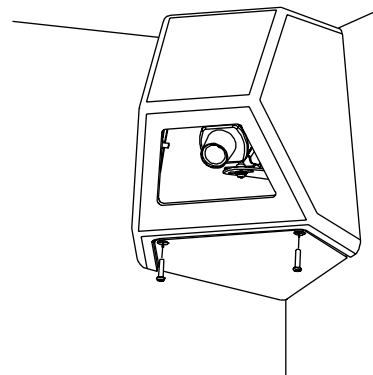
**Figure 12: Replacing the Cover**

2. Tighten the left side anchor bolts.
3. Make final adjustments to the camera and camera mounting system.
4. **All Models Except HS9303L:** Attach the access panel to the housing by inserting the latch into the rear panel. Screw the two tamperproof screws down tight to the cover. If the rear of the access panel is not tight remove access panel and lower the latch by rotating it clockwise. Repeat until tight. **See Figures 13 and 14.**

**Note:** Retain special tool for future use.

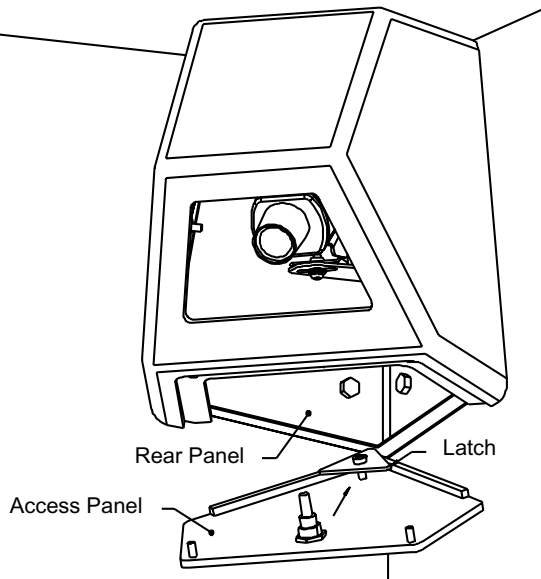


**Figure 13: Inserting the Access Panel**

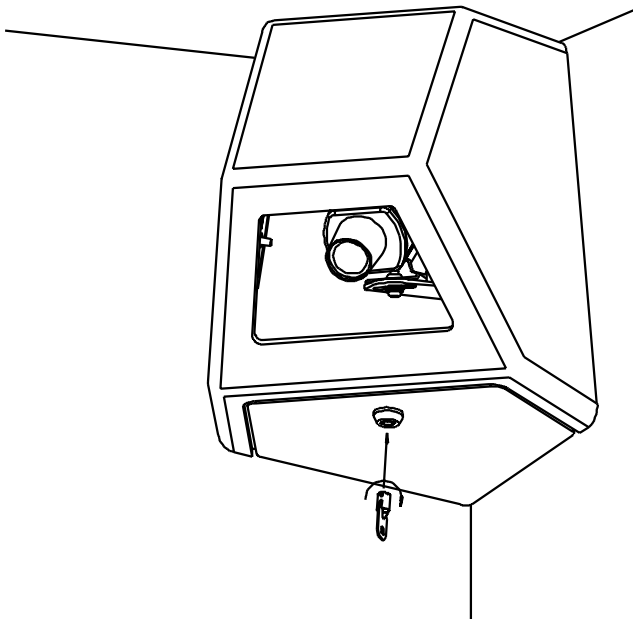


**Figure 14: Securing the Access Panel**

4. **HS9303L:** Attach the access panel to the housing by inserting the latch into the rear panel. Screw the lock down tight to the panel. If the rear of the access panel is not tight remove access panel and lower the latch by rotating it clockwise. Repeat until tight. **See Figures 15 and 16.**  
**Note:** Retain key for future use.



**Figure 15: Inserting the Access Panel**



**Figure 16: Securing the Access Panel**



mechtronics

©2002 Aigis Mechtronics

1124 Louise Road, Winston-Salem, NC 27107-5450

Tel: 336.785.7740 Fax: 336.785.7744

Data subject to change without notice

I00 0028 001 AIG 10/02

Printed in U.S.A.