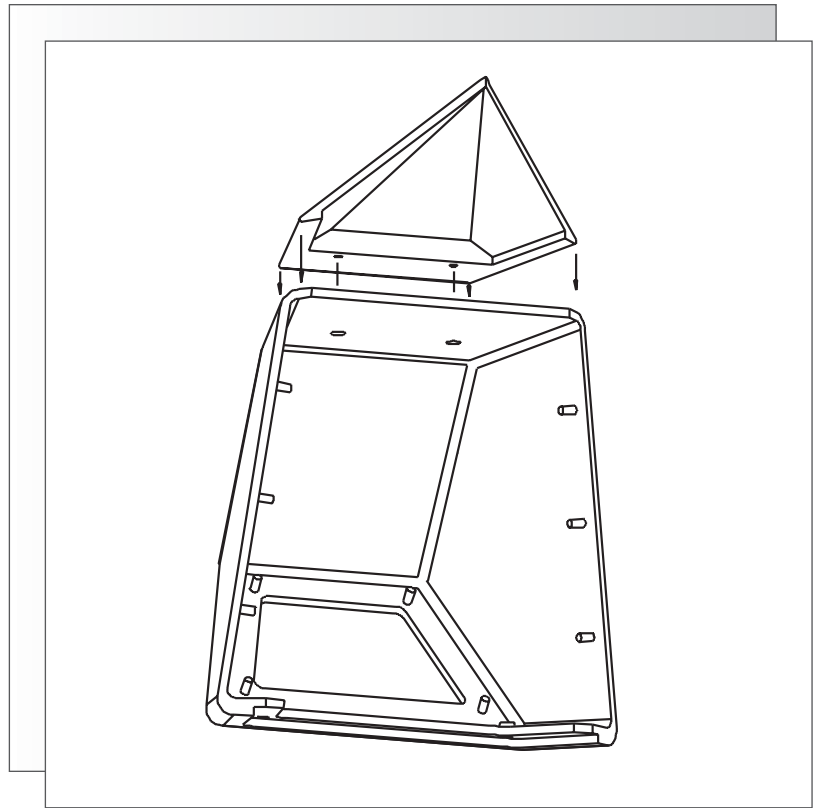



SLOPED TOP COVER & DEFOGGER KITS



HS9313
HS9313-6, HS9315-6
HS9313-2, HS9315-2
HS9313-5, HS9315-5

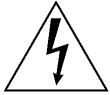
IMPORTANT SAFEGUARDS

1. Read Instructions - All the safety and operating instructions should be read before the unit is operated.
2. Retain Instructions - The safety and operating instructions should be retained for future reference.
3. Heed Warnings - All warnings on the unit and in the operating instructions should be adhered to.
4. Follow Instructions - All operating and use instructions should be followed.
5. Cleaning - Unplug the unit from the outlet before cleaning. Do not use liquid cleaners or aerosol cleaners. Use a damp cloth for cleaning.
6. Attachments - Do not use attachments not recommended by the product manufacturer as they may cause hazards.
7. Water and Moisture - Do not use this unit near water - for example, near a bath tub, wash bowl, kitchen sink, or laundry tub, in a wet basement, near a swimming pool, in an unprotected outdoor installation, or any area which is classified as a wet location.
8. Accessories - Do not place this unit on an unstable stand, tripod, bracket, or mount. The unit may fall, causing serious injury to a person and serious damage to the unit. Use only with a stand, tripod, bracket, or mount recommended by the manufacturer, or sold with the product. Any mounting of the unit should follow the manufacturer's instructions, and should use a mounting accessory recommended by the manufacturer.
 An appliance and cart combination should be moved with care. Quick stops, excessive force, and uneven surfaces may cause the appliance and cart combination to overturn.
9. Ventilation - Openings in the enclosure, if any, are provided for ventilation and to ensure reliable operation of the unit and to protect it from overheating. These openings must not be blocked or covered. This unit should not be placed in a built-in installation unless proper ventilation is provided or the manufacturer's instructions have been adhered to.
10. Power Sources - This unit should be operated only from the type of power source indicated on the marking label. If you are not sure of the type of power supply you plan to use, consult your appliance dealer or local power company. For units intended to operate from battery power, or other sources, refer to the operating instructions.
11. Grounding or Polarization - This unit may be equipped with a polarized alternating-current line plug (a plug having one blade wider than the other). This plug will fit into the power outlet only one way. This is a safety feature. If you are unable to insert the plug fully into the outlet, try reversing the plug. If the plug should still fail to fit, contact your electrician to replace your obsolete outlet. Do not defeat the safety purpose of the polarized plug.
Alternately, this unit may be equipped with a 3-wire grounding-type plug, a plug having a third (grounding) pin. This plug will only fit into a grounding-type power outlet. This is a safety feature. If you are unable to insert the plug into the outlet, contact your electrician to replace your obsolete outlet. Do not defeat the safety purpose of the grounding-type plug.
12. Power-Cord Protection - Power-supply cords should be routed so that they are not likely to be walked on or pinched by items placed upon or against them, paying particular attention to cords and plugs, convenience receptacles, and the point where they exit from the appliance.
13. Power Lines - An outdoor system should not be located in the vicinity of overhead power lines or other electric light or power circuits, or where it can fall into such power lines or circuits. When installing an outdoor system, extreme care should be taken to keep from touching such power lines or circuits as contact with them might be fatal. U.S.A. models only - refer to the National Electrical Code Article 820 regarding installation of CATV systems.
14. Overloading - Do not overload outlets and extension cords as this can result in a risk of fire or electric shock.
15. Object and Liquid Entry - Never push objects of any kind into this unit through openings as they may touch dangerous voltage points or short-out parts that could result in a fire or electric shock. Never spill liquid of any kind on the unit.
16. Servicing - Do not attempt to service this unit yourself as opening or removing covers may expose you to dangerous voltage or other hazards. Refer all servicing to qualified service personnel.
17. Damage Requiring Service - Unplug the unit from the outlet and refer servicing to qualified service personnel under the following conditions:
 - a. When the power-supply cord or plug is damaged.
 - b. If liquid has been spilled, or objects have fallen into the unit.
 - c. If the unit has been exposed to rain or water.
 - d. If the unit does not operate normally by following the operating instructions. Adjust only those controls that are covered by the operating instructions, as an improper adjustment of other controls may result in damage and will often require extensive work by a qualified technician to restore the unit to its normal operation.
 - e. If the unit has been dropped or the cabinet has been damaged.
 - f. When the unit exhibits a distinct change in performance--this indicates a need for service.
18. Replacement Parts - When replacement parts are required, be sure the service technician has used replacement parts specified by the manufacturer or have the same characteristics as the original part. Unauthorized substitutions may result in fire, electric shock or other hazards.
19. Safety Check - Upon completion of any service or repairs to this unit, ask the service technician to perform safety checks to determine that the unit is in proper operating condition.
20. Coax Grounding - If an outside cable system is connected to the unit, be sure the cable system is grounded. U.S.A. models only--Section 810 of the National Electrical Code, ANSI/NFPA No.70-1981, provides information with respect to proper grounding of the mount and supporting structure, grounding of the coax to a discharge unit, size of grounding conductors, location of discharge unit, connection to grounding electrodes, and requirements for the grounding electrode.
21. Lightning - For added protection of this unit during a lightning storm, or when it is left unattended and unused for long periods of time, unplug it from the wall outlet and disconnect the cable system. This will prevent damage to the unit due to lightning and power-line surges.

SAFETY PRECAUTIONS

| | | |
|---|--|---|
|  | CAUTION RISK OF ELECTRIC SHOCK. DO NOT OPEN! |  |
| CAUTION: TO REDUCE THE RISK OF ELECTRICAL SHOCK, DO NOT OPEN COVERS. NO USER SERVICEABLE PARTS INSIDE. REFER SERVICING TO QUALIFIED SERVICE PERSONNEL. | | |

This label may appear on the bottom of the unit due to space limitations.



The lightning flash with an arrowhead symbol, within an equilateral triangle, is intended to alert the user to the presence of uninsulated "dangerous voltage" within the product's enclosure that may be of sufficient magnitude to constitute a risk of electric shock to persons.



The exclamation point within an equilateral triangle is intended to alert the user to presence of important operating and maintenance (servicing) instructions in the literature accompanying the appliance.

1 UNPACKING

Unpack carefully. This is electro-mechanical equipment and should be handled with care.

Check for the following items:

- Model number of unit.

If an item appears to have been damaged in shipment, replace it properly in its carton and notify the shipper. If any items are missing, notify Aigis Mechtronics.

The shipping carton is the safest container in which the unit may be transported. Save it for possible future use.

2 SERVICE

If the unit ever needs repair service, the customer should contact Aigis Mechtronics for authorization to return and shipping instructions.

3 DESCRIPTION

The HS9313 Sloped Top Cover and the HS9303 Series Defogger Kits are accessories for the HS9303 Series Corner Security Housings.

The HS9305 Series Defogger Kits are accessories for the HS9305 Series Wall/Ceiling Security Housings.

This publication should be used in conjunction with the Instructions for the applicable housing.

4 INSTALLATION

This installation should be made by qualified service personnel and conform to the National Electrical Code and applicable local codes.

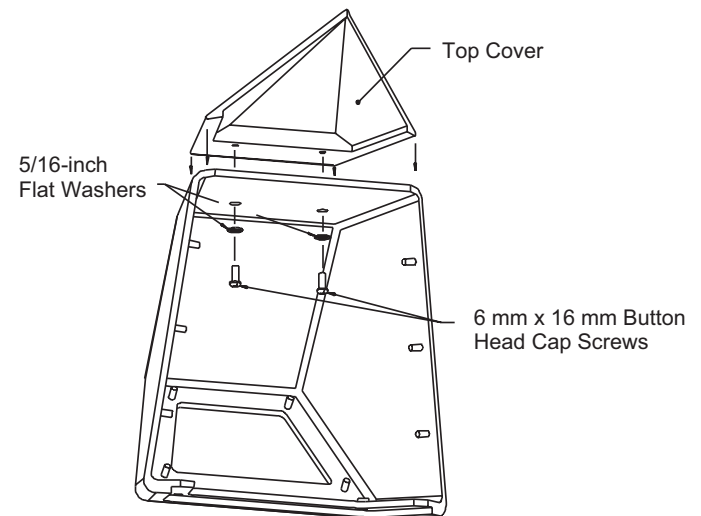
4.1 ACCESSORIES

- HS9313:** Sloped top cover for housings mounted below the ceiling line.
- Defogger kits are recommended for use in areas where condensation could cause fogging of the viewing window.
- HS9313-6:** 115 VAC, 50/60 Hz, 50 W thermostatically controlled defogger kit.
- HS9313-2:** 24 VAC, 50/60 Hz, 50 W thermostatically controlled defogger kit.
- HS9313-5:** 230 VAC, 50/60 Hz, 50 W thermostatically controlled defogger kit.
- HS9315-6:** 115 VAC, 50/60 Hz, 50 W thermostatically controlled defogger kit.
- HS9315-2:** 24 VAC, 50/60 Hz, 50 W thermostatically controlled defogger kit.
- HS9315-5:** 230 VAC, 50/60 Hz, 50 W thermostatically controlled defogger kit.

Do Not Exceed 30 VAC Input on 24 VAC models. Operation above 30 VAC violates low voltage operation (Class 2 Specifications). Normal operation is 24 VAC.

4.2 HS9313 SLOPED TOP COVER

1. Mount the rear panel at least 92 mm (3.7 in) below the ceiling line.
2. Attach the Top Cover to the housing cover using two 6 mm x 16 mm button head cap screws and two 5/16-inch flat washers. See figure below.



Top Cover Installation — HS9313

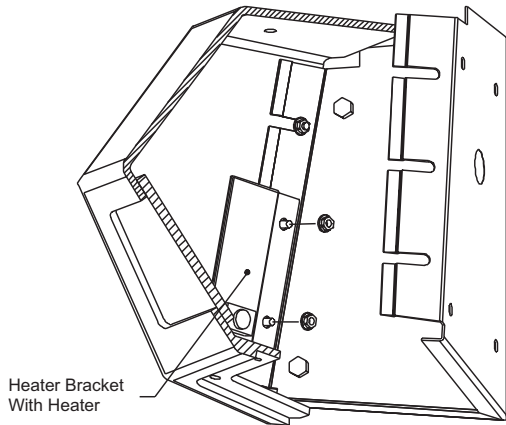
3. Complete installation of housing.

4.3 HS9303 SERIES DEFOGGER KITS

| Model No. | Rate Voltage | Power at Rated Voltage |
|-----------|-------------------|------------------------|
| HS9313-6 | 115 VAC, 50/60 Hz | 50 W |
| HS9313-2 | 24 VAC, 50/60 Hz | 50 W |
| HS9313-5 | 230 VAC, 50/60 Hz | 50 W |

1. Attach the heater to the left side of the rear panel. Use the bottom two studs and nuts as shown. Be sure the heater faces the interior of the housing. See figure.

Note: Adjacent wall must be of non-combustible construction.



Heater Installation — HS9303 Series

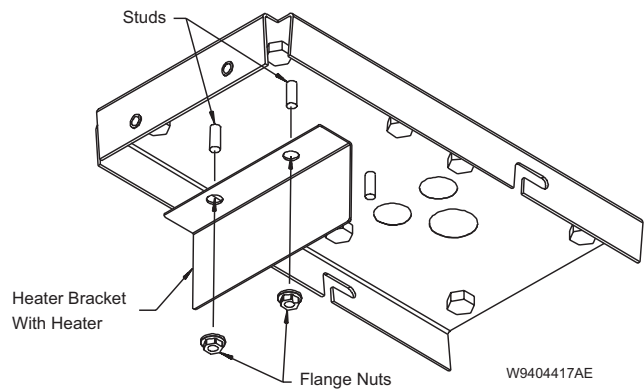
2. Make the appropriate power connections to heater.

4.4 HS9305 SERIES DEFOGGER KITS

| Model No. | Rated Voltage | Power at Rated voltage |
|-----------|-------------------|------------------------|
| HS9315-6 | 115 VAC, 50/60 Hz | 50 W |
| HS9315-2 | 24 VAC, 50/60 Hz | 50 W |
| HS9315-5 | 230 VAC, 50/60 Hz | 50 W |

1. Attach the heater to the top panel. Use the front two studs and nuts as shown. The heater will face the interior of the housing. See figure below.

Note: Adjacent wall must be of non-combustible construction.



Heater Installation — HS9305 Series

2. Make the appropriate power connections to heater.



©2002 Aigis Mechtronics
1124 Louise Road, Winston-Salem, NC 27107-5450
Tel: 336.785.7740 Fax: 336.785.7744

Data subject to change without notice

100 0020 001 AIG 10/02
Printed in U.S.A.