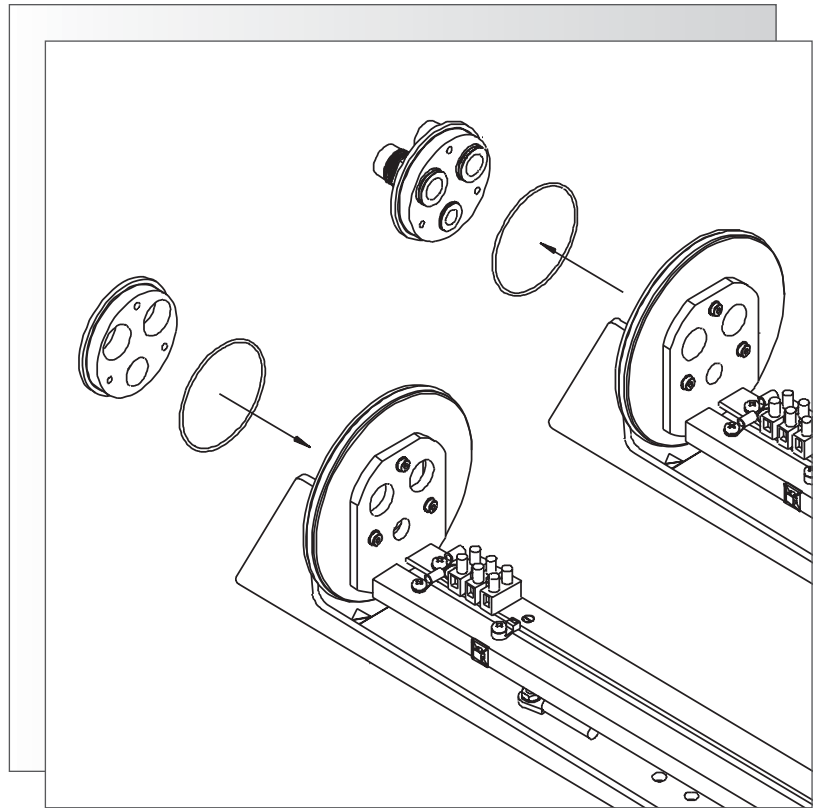


PG CONVERSION KIT



HS9385NPT

1 INSTALLATION

HS9385NPT: English-to-metric fitting for use with HS9385 Series Housings.

Item	Quantity
PG Wire Grip	1

Tools
M3 (3 mm) Hex Wrench.

Remove the standard NPT wire grip by loosening the three M4 screws that hold it in place. Remove the purple O-ring from the NPT wire grip and install it over the PG wire grip. Install the PG wire grip by inserting it into the base assembly and aligning the three holes in the rail assembly with the three holes in the wire grip. Insert and tighten the three M4 screws.

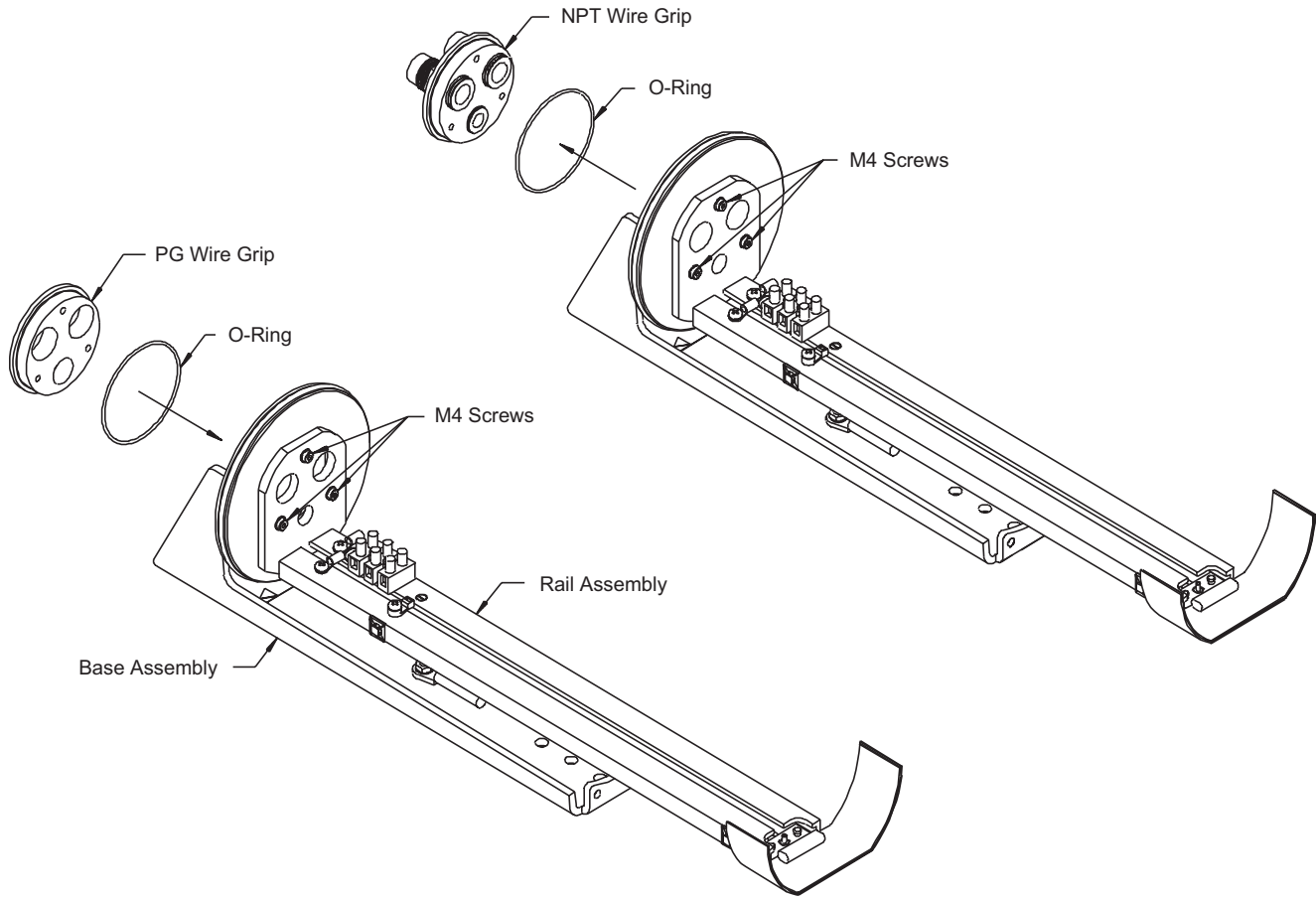


Figure 1: Installing the HS9385NPT



mechtronics

©2002 Aigis Mechtronics

1124 Louise Road, Winston-Salem, NC 27107-5450

Tel: 336.785.7740 Fax: 336.785.7744

100 0032 001 AIG 10/02

Printed in U.S.A.

Data subject to change without notice