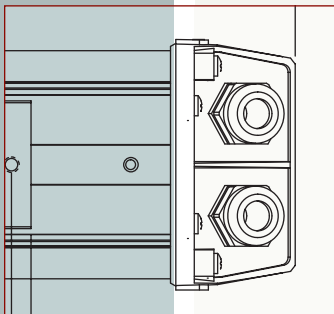
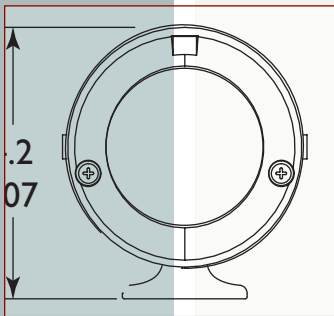
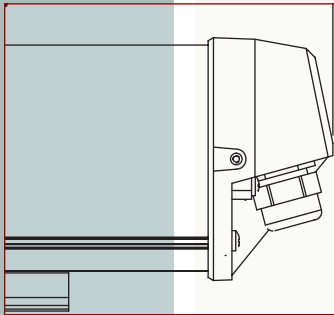


- For 1/4, 1/3 & 1/2-inch CCD Cameras
- Feed-through Wiring Option
- Aluminum and Advanced Polymer Construction
- Easy Installation
- Full Camera Accessibility
- Available in Multiple Sizes
- Cost Competitive
- Multiple Accessories Available

Designer Series Housings



HS948x Series

The HS948x Designer Series of indoor/outdoor housings offer a smooth, sleek, look that complements any environment. This series includes a variety of sizes to accommodate most camera/lens combinations and is both cost competitive and easy to install.

For quick installation or service, simply remove the two captive screws and slide off the cover to fully expose the camera and lens. This allows access to all camera and lens controls when the camera is in its mounted position. Power, video, and lens control cabling can be routed through liquid tight fittings in the bottom rear of the housing or can be routed through the mounting base. Feed-through mounts and J-mounts are available for these housings to hide the cabling. The base of the housings permits mounting to pan/tilts, adjustable heads, and various wall mounts.

These sturdily constructed housings are available with a preinstalled heater or a preinstalled heater and blower. The heater maintains the internal temperature of the housing in cold temperature conditions and the heater/blower combination minimizes fogging in high humidity locations and extends the temperature limits.

SPECIFICATIONS

ELECTRICAL

MODEL NO.	PREINSTALLED HEATER OR BLOWER	VOLTAGE/ POWER V/W	USE CAMERAS WITH VOLTAGE RATINGS SHOWN	
Indoor/Outdoor Units				
HS9480	----	----	24	
HS9483	----	----	24, 115, 230	
HS9484	----	----		
HS9488	----	----		
Outdoor Units				
HS9480	-2H	Heater	24/15	24
	-2H	Heater/Blower	24/23	
HS9483	-2HB	Heater/Blower	24/25	
	-5H	Heater	230/23	230
	-6H	Heater	115/23	115
	-6HB	Heater/Blower	115/28	
HS9484	-2H	Heater	24/23	24
	-2HB	Heater/Blower	24/25	
	-5H	Heater	230/23	230
	-6H	Heater	115/23	115
	-6HB	Heater/Blower	115/28	
HS9488	-2H	Heater	24/40	24
	-2HB	Heater/Blower	24/42	
	-5H	Heater	230/40	230
	-6H	Heater	115/40	115
	-6HB	Heater/Blower	115/45	
Add TS for housing w/pre-installed Tamper Switch. Add E for housing w/an Extended Heater. 1. The heaters and blowers for all models operate at 50/60 Hz.				

MECHANICAL

Maximum Camera and Lens:		
HS9480	no Htr/Blwr	2.68 x 2.1 x 7.75 in (68 W x 54 H x 197 L mm)
	Heater	
HS9483	no Htr/Blwr	2.68 x 2.1 x 10.5 in (68 W x 54 H x 267 L mm)
	Heater	
	Heater/Blower	2.68 x 2.1 x 8.5 in (68 W x 54 H x 216 L mm)
HS9484	no Htr/Blwr	2.8 x 2.8 x 11 in (71 W x 71 H x 279 L mm)
	Heater	
	Heater/Blower	2.8 x 2.8 x 9 in (71 W x 71 H x 229 L mm)
HS9488	no Htr/Blwr	2.8 x 2.8 x 14.0 in (71 W x 71 H x 356 L mm)
	Heater	
	Heater/Blower	2.8 x 2.8 x 12.5 in (71 W x 71 H x 318 L mm)

Cable Entry:

HS9480 & HS9483 Series: Two liquid tight rear fittings accept cable diameters from 0.17 in to 0.47 in (4.3 mm to 11.9 mm). Two bottom feed-through liquid tight fittings accept cable diameters from 0.18 in to 0.31 in (4.6 mm to 7.9 mm).

HS9484 & HS9488 Series: Three liquid tight rear fittings, two of which accept cable diameters from 0.17 in to 0.47 in (4.3 mm to 11.9 mm) and one that accepts cable diameters from 0.18 in to 0.31 in (4.6 mm to 7.9 mm). Two bottom feed-through liquid tight fittings accept cable diameters from 0.18 in to 0.31 in (4.6 mm to 7.9 mm).

Window: 0.12 in (3 mm) thick UV-stabilized polycarbonate.

Housing Mounting: Four (4) available 1/4-20 tapped holes. Only one set of two is required for mounting.

Camera Mounting: Removable camera bracket. Mounted with two screws.

Construction: Aluminum cover, aluminum base, aluminum mounting foot, polycarbonate faceplate, glass reinforced polycarbonate end caps, neoprene gasket, ethylene propylene seal, and all stainless steel hardware.

Finish: Light Gray.

Dimensions: See drawings.

Weight (approx.):

HS9480 Series: 3 lb (1.4 kg).

HS9483 Series: 4 lb (1.8 kg).

HS9484 Series: 5 lb (2.3 kg).

HS9488 Series: 7 lb (3.2 kg).

ENVIRONMENTAL

Temperature: At external temperature of -40 °F to 122 °F (-40 °C to 50 °C) maintains internal temperatures between -4 °F to 131 °F (-20 °C and 55 °C) with heater/blower.

Extended Heater/Blower: At external temperature of -75° F to 122° F (-60°C to 50° C) maintains internal temperature between - 4° F to 131° F (- 20° C to 55° C).

Salt Atmosphere: MIL-STD-810E, Method 509, Procedure I.

Enclosure Protection: IP65, Designed to meet NEMA 4.

ELECTROMAGNETIC COMPATIBILITY

Safety: UL, cUL, CE.

ACCESSORIES

Sunshield: Provides protection from the direct rays of sun and promotes cooling to reduce internal housing temperatures. Strongly recommended for housings to be used outdoors.

HS9480SS: For HS9480 Series housings.

HS9483SS: For HS9483 Series housings.

HS9484SS: For HS9484 Series housings.

HS9488SS: For HS9488 Series housings.

-TS Tamper Switch Model: Contains a pre-installed tamper switch that is activated when cover is removed from housing. Max operating voltage - 250VAC or 28VDC / 5 amp.

-E Extended Heater version: Houses extra heating power to extend the temperature range. Available only in the 60Hz HS9484 series.

HS9480TK Tamper Resistant Kit: Includes 10 screws and insertion tool to permit tamper resistance for five housings.

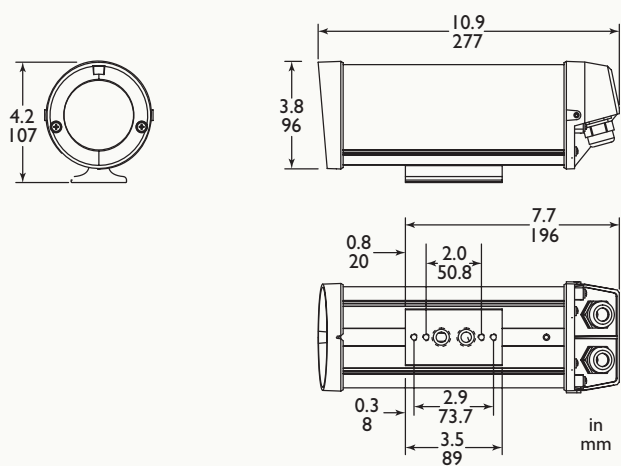
MT9215 Mount: Feed-through mount attached to the foot of housing for HS9483, HS9484 & HS9488 Series housings.

MT9215S Mount: Feed-through mount attached to the foot of housing for HS9480 Series housings.

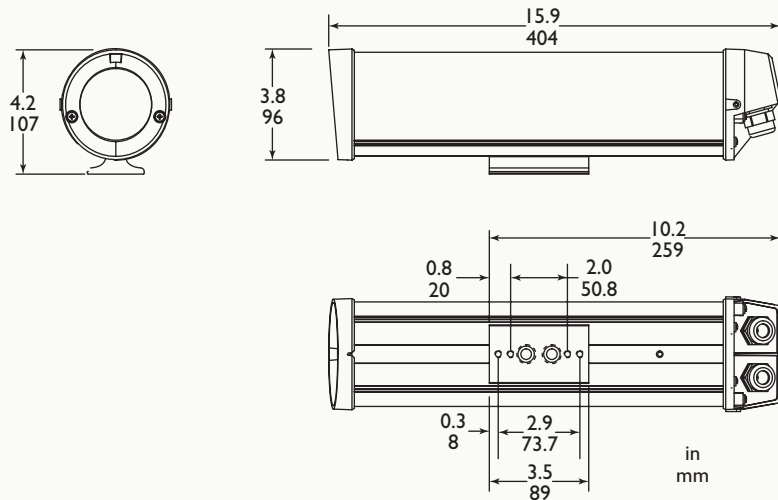
MT9219 J-mount: Feed-through J-mount allows housing to be mounted from ceiling.

HS9480H Heater: 15 W heater for HS9480.

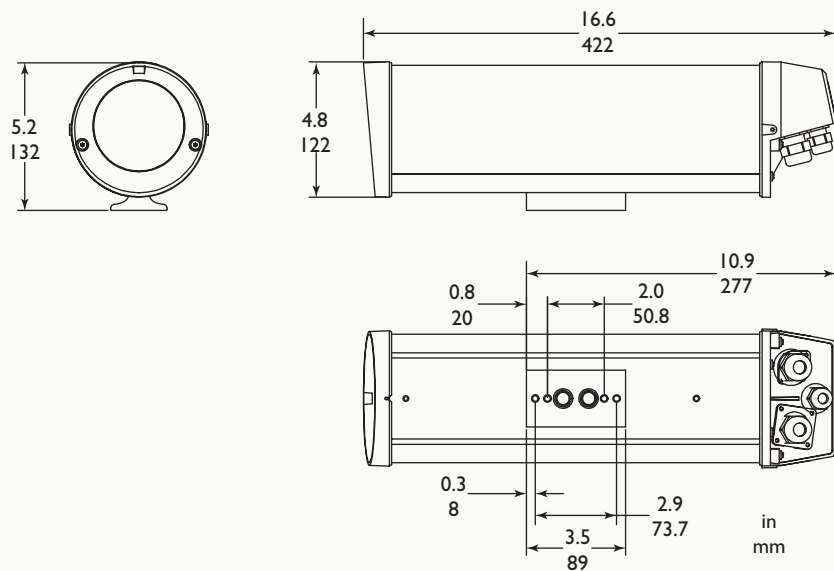
HS9480 SERIES - DIMENSIONAL DRAWING



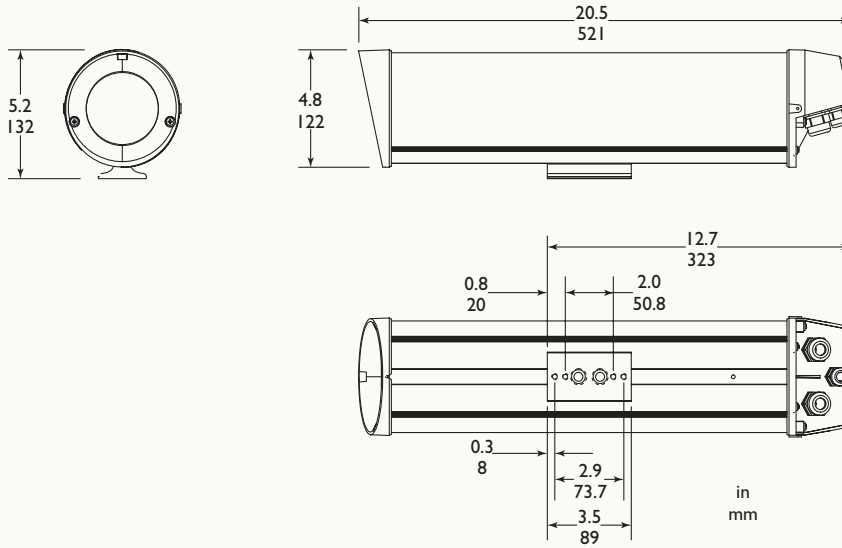
HS9483 SERIES - DIMENSIONAL DRAWING



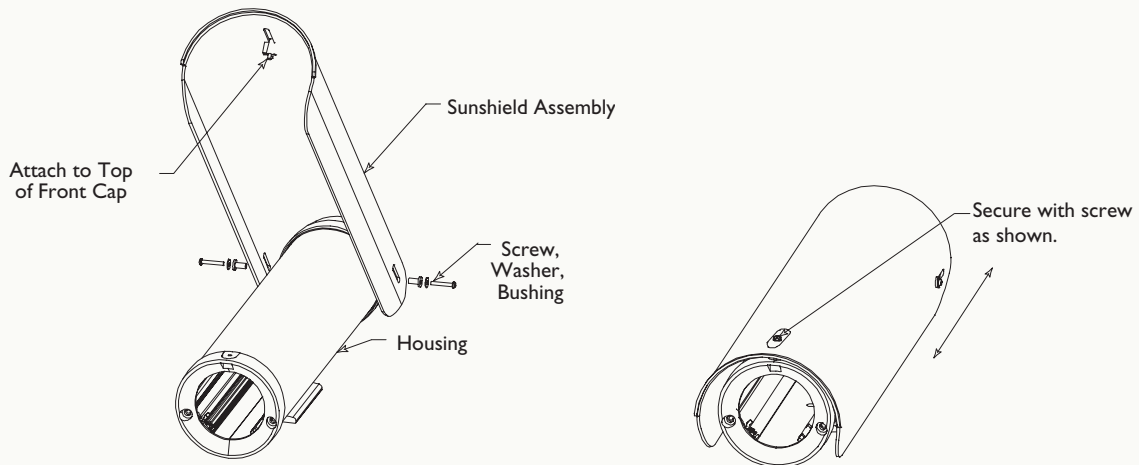
HS9484 SERIES - DIMENSIONAL DRAWING



HS9488 SERIES - DIMENSIONAL DRAWING



SUNSHIELD ACCESSORY - HS948xSS



aigis
mechtronics

Now Part of **Linear**
Building On Innovation.

1950 Camino Vida Roble, Suite 150
Carlsbad, CA 92008
Tel: 760.438.7000 800.421.1587
www.aigismech.com • www.linearcorp.com