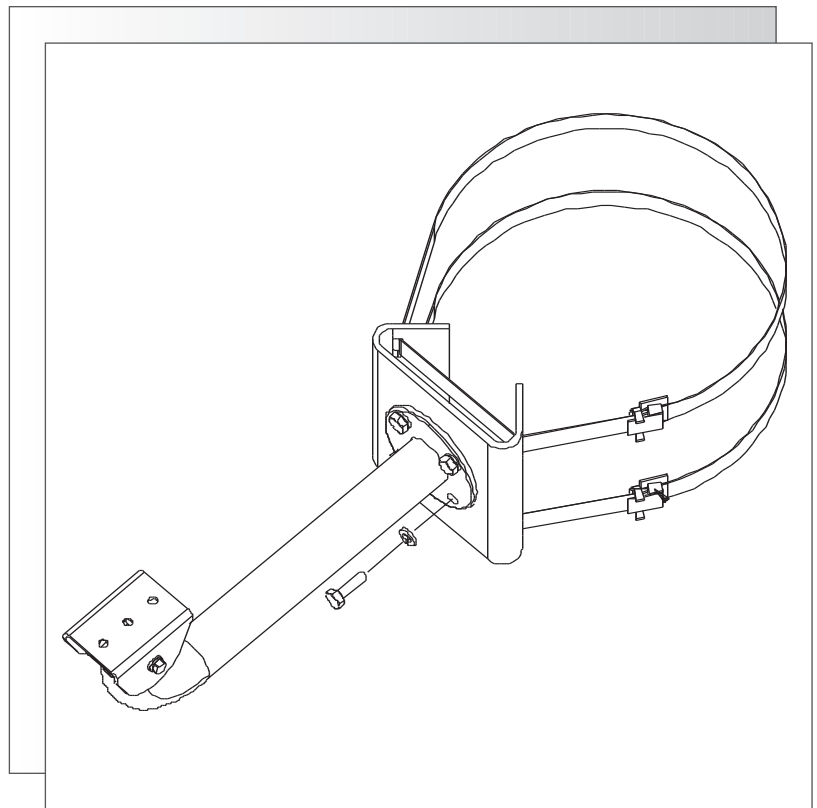


POLE MOUNT ADAPTERS



MT9213, MT9225

SAFETY PRECAUTIONS



The exclamation point within an equilateral triangle is intended to alert the user to presence of important operating and maintenance (servicing) instructions in the literature accompanying the appliance.

SECURITE



Le point d'exclamation à l'intérieur d'un triangle équilatéral avertit l'utilisateur de la présence d'instructions importantes d'utilisation et de maintenance dans la documentation accompagnant l'appareil.

SICHERHEITSVORKEHRUNGEN



Das Ausrufezeichen in dem gleichseitigen Dreieck ist dazu da, den Benutzer auf wichtige Inbetriebnahme- und Instandhaltungsvorschriften hinzuweisen, die dem Gerät in Form einer Broschüre beigelegt sind.

PRECAUCIONES DE SEGURIDAD



El símbolo de exclamación dentro de un triángulo equilátero, se muestra con el objetivo de alertar al usuario de que instrucciones de operación y mantenimiento importantes acompañan al equipo.

1 UNPACKING

Unpack carefully. This is mechanical equipment and should be handled carefully.

Check for the following items:

- Verify the unit model number.
- Verify that parts shown below have been included.

1.1 MT9213

	Mounting Bracket	
	BAND-IT® Tool Instruction Chart	
	Hardware Kit	
	3 m (10 ft)	Structural Band Strap
	4	Screw, Hex Head, M8 x 25
	4	Washer, Spiral Lock, M8

1.2 MT9225

	Mounting Bracket	
	BAND-IT® Tool Instruction Chart	
	Hardware Kit	
	3 m (10 ft)	Structural Band Strap
	2	Band Buckle
	6	Screw, Hex Head, M12 x 35
	6	Nut, Hex, M12
	6	Washer, Spiral Lock, M2
	6	Washer, Plain, M12

If an item appears to have been damaged in shipment, replace it properly in its carton and notify the shipper. If any items are missing, notify Aigis Mechtronics.

The shipping carton is the safest container in which the unit may be transported. Save it for possible future use.

2 SERVICE

If the unit ever needs repair service, the customer should contact Aigis Mechtronics.

3 DESCRIPTION

The MT9213 and MT9225 Pole Mount Adapters are designed to permit the installation of indoor/outdoor wall mounts to a pole capable of supporting the total weight of equipment installed. The pole can range from 76 mm (3 in) to 381 mm (15 in) in diameter.

4 INSTALLATION



Attention: Installation should be performed by qualified service personnel only in accordance with applicable local codes.



Attention: L'installation doit être effectuée uniquement par des membres qualifiés du personnel de maintenance, conformément à la réglementation locale en vigueur.



Achtung! Die Installation sollte nur von qualifiziertem Kundendienstpersonal gemäß jeweilig zutreffender Lokal Vorschriften aus-geführt werden.



Atención: La instalación de este equipo debe ser realizada por personal capacitado, solo en acuerdo, y en cumplimiento de las normas del Gobierno Nacional Local.



CAUTION: The following indoor/outdoor wall mounts must be used with the corresponding pole mount adapters. Do not exceed the **Maximum Rated Load** for the particular wall mount used.



Attention: Les fixations murales d'intérieur/extérieur suivantes doivent être utilisées avec les adaptateurs de montage sur poteau correspondants. Ne jamais dépasser la charge nominale maximum pour la fixation murale utilisée.



Achtung! Das folgende im/aussen Gestellwand müssen gemaess Steckgestellpol benutzen. Nicht Hoehchstbeanspruchung einzeln Gestellwand benutzt.



PRECAUCION: Las siguientes monturas para pared deben ser usadas con su correspondientes adaptadores para poste. Favor no exceder la "**Carga Máxima Permitida**" de la montura.

4.1 Mount Compatibility

Pole Mount Adapter	Suggested Wall Mounts	Maximum Rated Load
MT9213	MT9212	9 kg (20 lb)
	MT9215	9 kg (20 lb)
	MT9215S	9 kg (20 lb)
	IND5AMT	Use with the IND5 Series only
	MLAW	Use with the MLA Series only
MT9225	MT9216	45 kg (100 lb)
	MT9222	90 kg (200 lb)

4.2 Tools Required

MT9213 Pole Mount Adapter

8 mm Hex Wrench.
Banding Tool (TC931 IPM3T is recommended).

MT9225 Pole Mount Adapter

12 mm Hex Wrench.
Banding Tool (TC931 IPM3T is recommended).

4.3 Mounting

1. Attach the bracket to the pole at the desired height using the two straps and two buckles provided.
2. Tension the straps according to the instructions for the banding tool used. Banding tool, TC931 IPM3T, is recommended and may be purchased separately.

A **BAND-IT® Tool Instruction Chart** is provided with each pole mount. **Figure 1** shows how the ends of the bands are bent around the buckle.

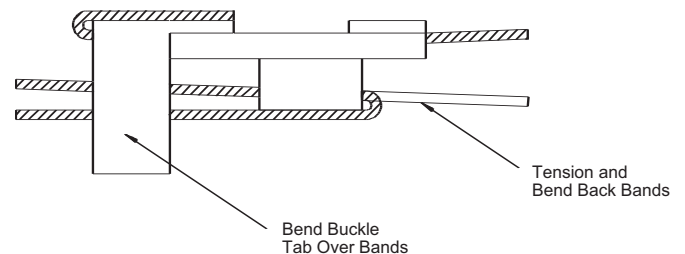


Figure 1: Banding Method

3. For model MT9213 with a MT9212, MT9215 or MT9215S secure the wall mount to the pole mount using the four (4) 8 mm screws and lock washers provided. Use the four larger holes that are in a square pattern around the center. See **Figure 2**.
4. For Model MT9213 with an IND5AMT or MLAW, secure the wall mount to the pole mount using the four (4) No. 6 screws provided in the wall mount hardware kit. Use the four smaller holes that are in a rectangular pattern around the center.

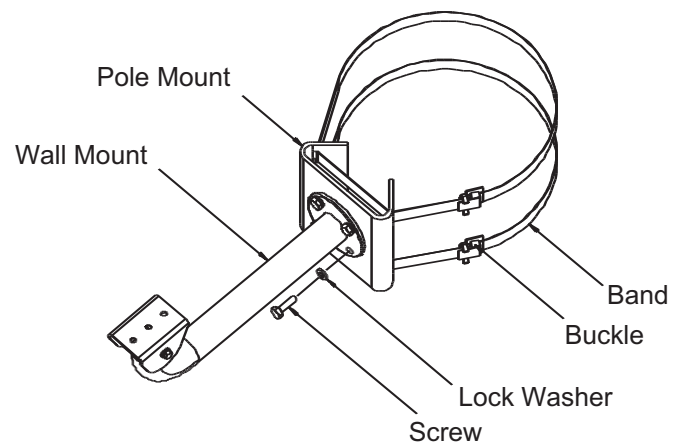


Figure 2: Securing Model MT9213

4. For model MT9225 with a MT9216 or a MT9222, secure the wall mount to the pole mount using the six (6) 12 mm screws, plain washers, lock washers and nuts provided. See **Figure 3**.

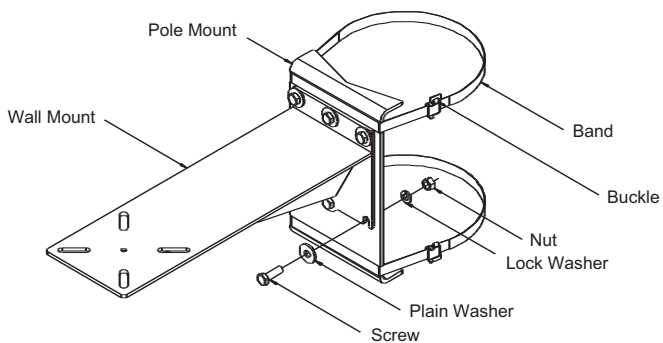


Figure 3: Securing Model MT9225

5 SPECIFICATIONS

5.1 MT9213, MT9225 Pole Mount Adapters

Construction: Formed aluminum plate

Finish: Light gray powdercoat

Weight:

MT9213: 0.5 kg (1 lb).

MT9225: 1.4 kg (3 lb).

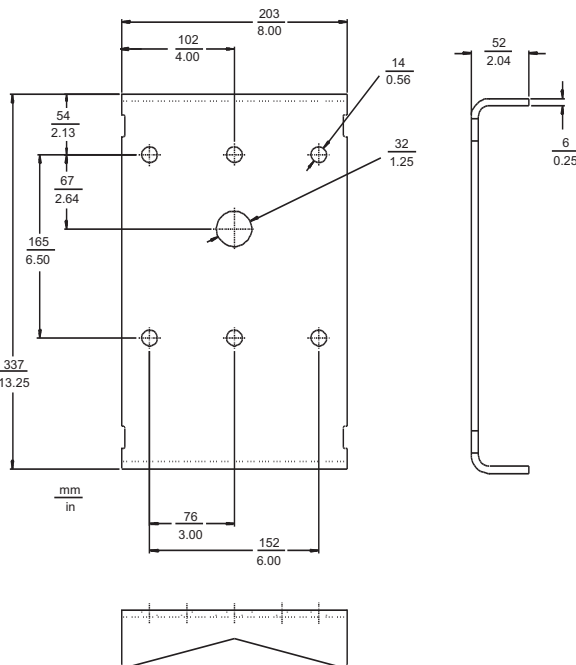


Figure 6: MT9225 - Dimensional Outline

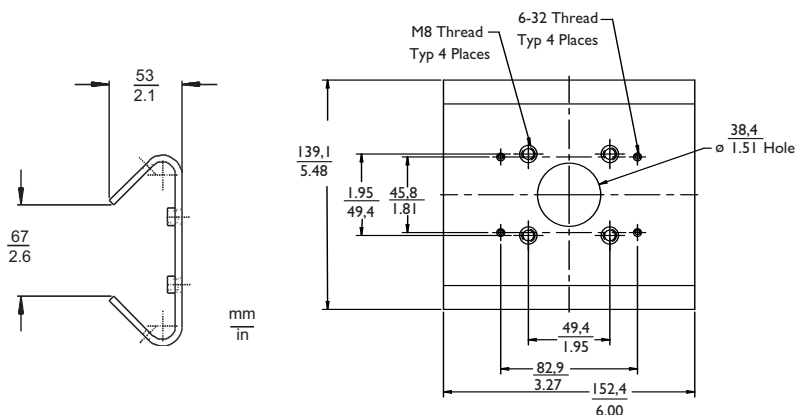


Figure 5: MT9213 - Dimensional Outline



mechtronics

©2005 Aigis Mechtronics

1124 Louise Road, Winston-Salem, NC 27107-5450

Tel: 336.785.7740 Fax: 336.785.7744

WWW.AIGISMECH.COM

Data subject to change without notice

100 0044 002 AIG 7/05

Printed in U.S.A.