

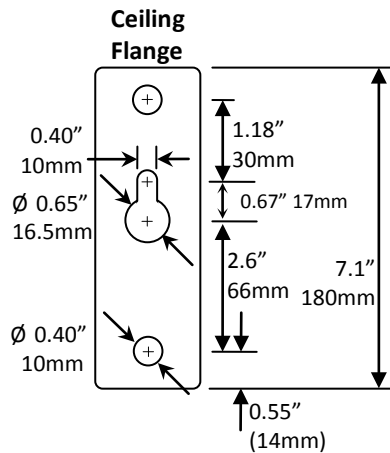
- Ceiling Mount for Monitors
- VESA Hole Pattern 100x100mm, 200x100mm, 200x200mm
- Telescoping
- Tilt Adjustment
- Supports Up To 44 lbs Load
- Cable Entry Hole Near Monitor

Heavy Duty Monitor Bracket Telescoping Ceiling Mount

The MT-MCB-B is a ceiling bracket for monitors that have a VESA compliant mounting hole pattern. The bracket can be installed on flat or slanted ceiling, the monitor can be tilted down 15°, and the mount can be extended or retracted up to 12-inches depending on the installation requirements. The bracket can support up to a 44-pound load. The mounting plate detaches and provides hooks for quickly mounting the monitor.

Specifications

Part Number	MT-MCB-B
Recommended Screen Sizes	17" –42"
Construction	Aluminum
Finish	Black Powder Coat
Horizontal Adjustment	Fixed
Vertical (Tilt) Adjustment	90° Flange, 15° Monitor
Rotation (Level) Adjustment	Fixed
Maximum Extension	49" (1.24 m)
Minimum Extension	38" (0.96 m)
VESA Hole Patterns	100x100mm 200x100mm 200x200mm
Maximum Load	44 lbs (20 kg)
Weight	8 lbs (3.6 kg)



Dimensions

