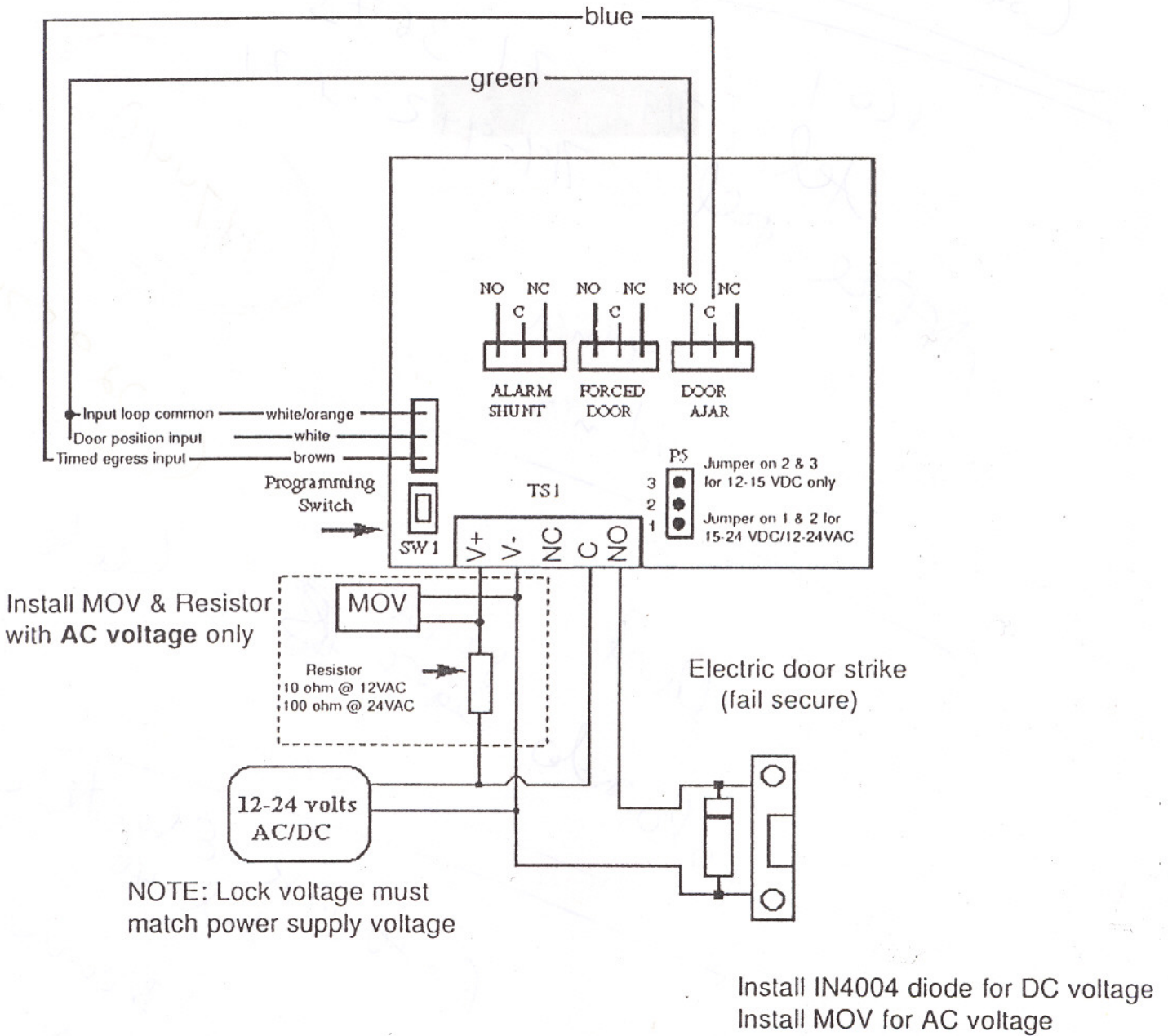


Basic Access Control 233 ATM Application



Steps needed to energize ATM mode:

Enter programming mode: Press 99#(master code)*

Press 31#0#1#** (Energizes propped door wth any track II card)

Press 31#2#1#** (Energizes ATM mode even on read error)

Then set the main relay time to the appropriate time.