

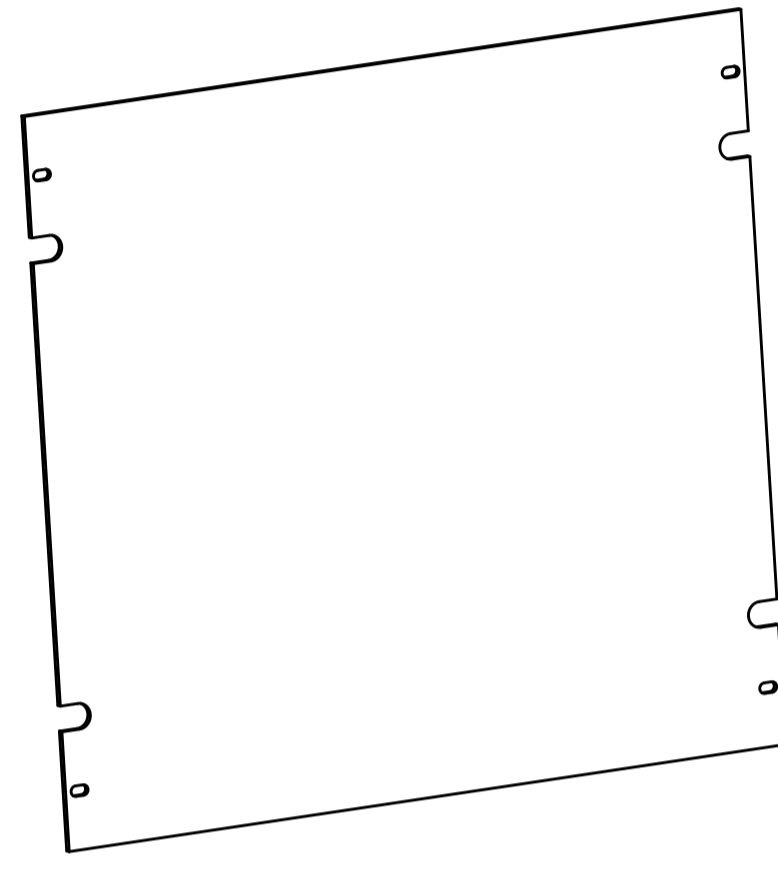


Model 2619 Rack Mount

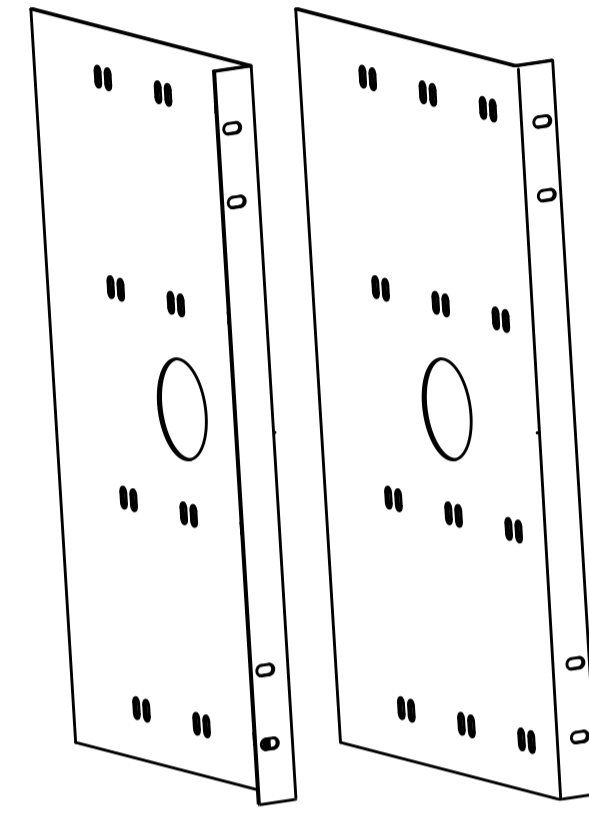


7 62644 00808 5
MADE IN CHINA

ACCESSORIES



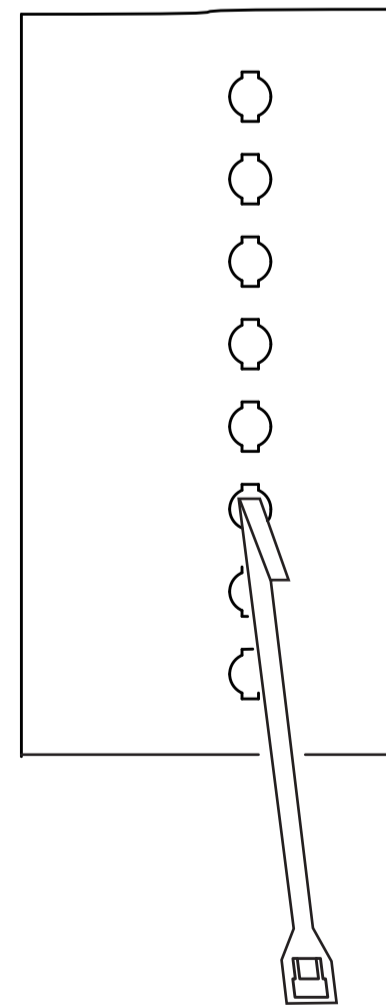
Black anodized aluminum cover
Model 2621



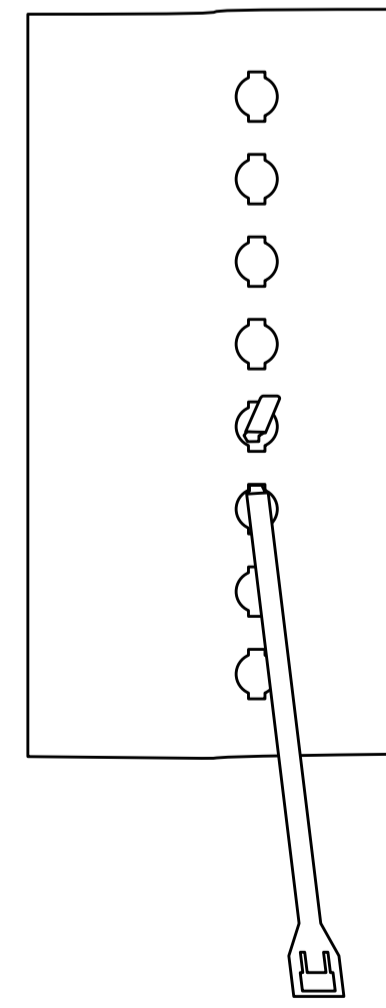
10" deep rack sides
Model 2618

The ChannelPlus® wire-tie trick

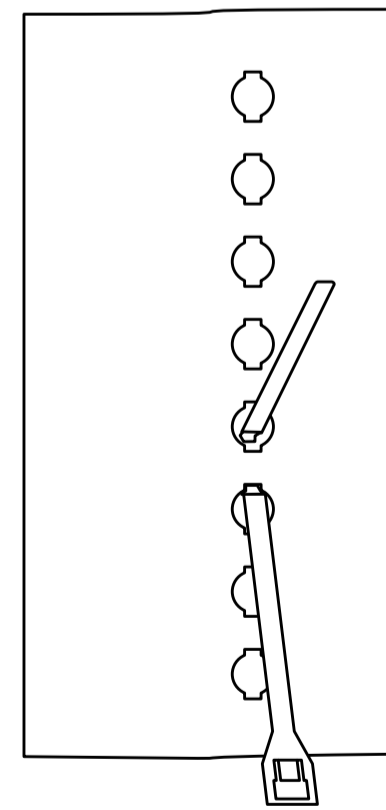
1) Fold back tip of wire tie and insert into hole



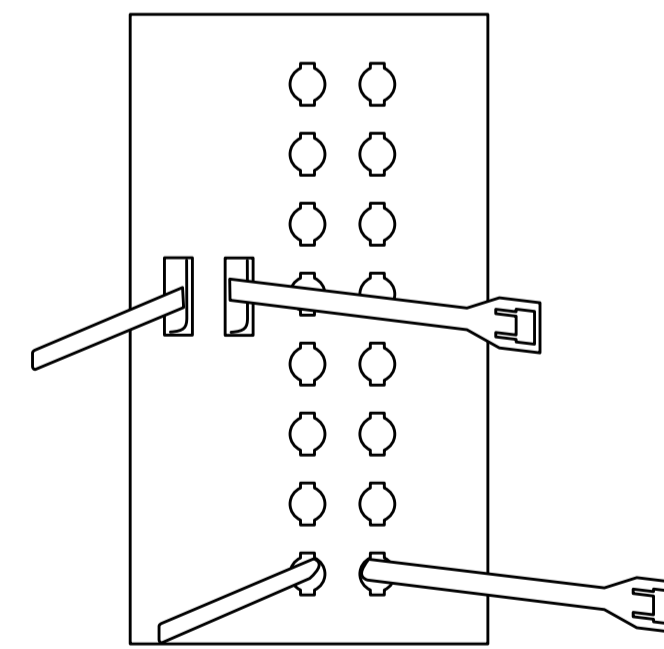
2) Push wire tie slowly into hole until tip snaps to next hole



3) Pull tip through second hole



4) Works horizontally too



222822 A

Model 2619 Rack Mount



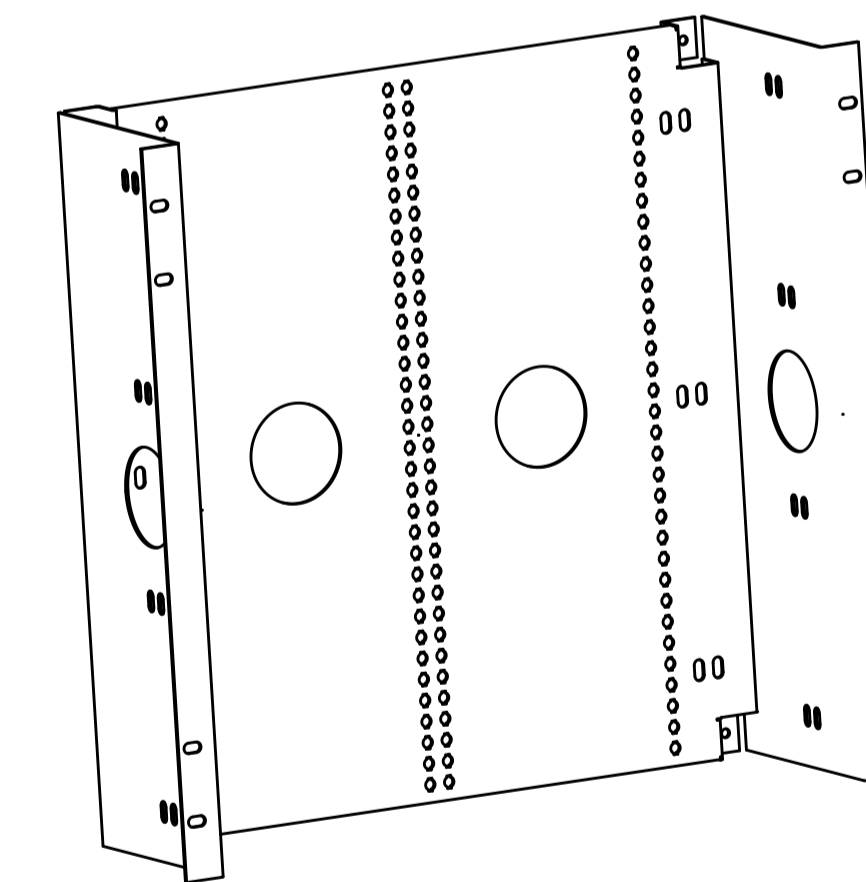
CHANNELPLUS®
Model 2619 Rack Mount



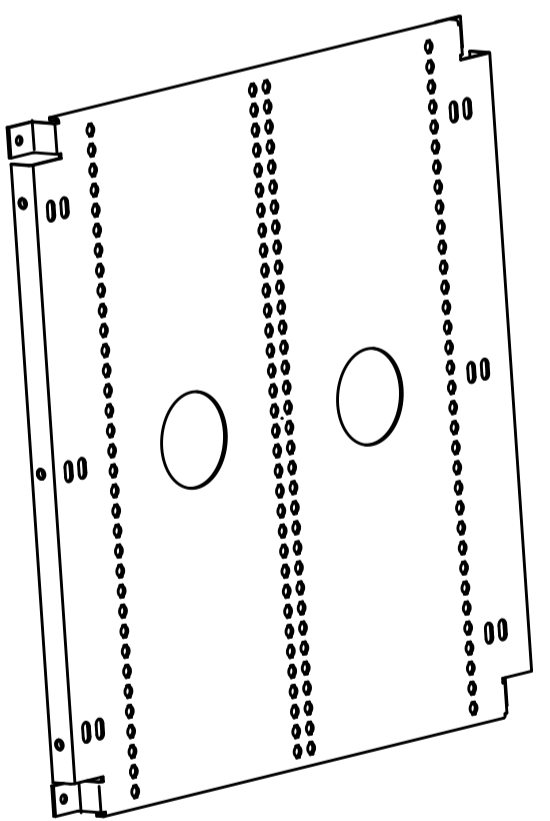
Model 2619 Rack Mount

EIA rack compatible structured wire system
OpenHouse grid compatible
5" deep side panels included
34" of rack space
Includes snap-in grommets for cable access holes

Use 2 different ways



5" deep
EIA rack



Wall mount
base only

CHANNELPLUS®
Model 2619 Rack Mount