

Warranty

Multiplex Technology, Inc. warrants this product to be free from defects in materials and workmanship for a period of one year from the date of purchase or MTI will repair, or at its option, replace the defective product. To obtain warranty service, call MTI for a return material authorization (RMA) number and return the product prepaid

Attention:

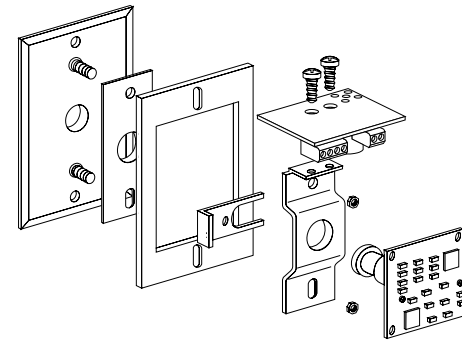
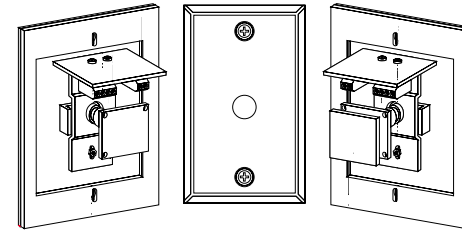
Customer Service. Please put the RMA number on the outside of the carton.

Any implied warranty arising from the sale of the product including implied warranties of merchantability and fitness for purpose are limited to the warranty stated above. MTI shall not be responsible for losses or damages or expenses, whether direct, consequential or incidental arising from the use of or the inability to use this product. Some states do not allow limitations on how long the implied warranty lasts or the exclusions or limitations or incidental or consequential damages, so the above limitations and exclusions may not apply to you. This warranty gives you specific legal rights, and you may have other rights which may vary from state to state.

Channel **PLUS**®

PERFORMANCE MULTI-ROOM VIDEO

7300 Series Camera



Model 7311 B&W

Model 7320 Color

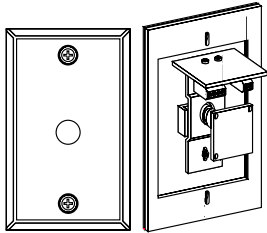
Model 7300 Universal Mounting System

multiplex®
technology, inc.

www.channelplus.com

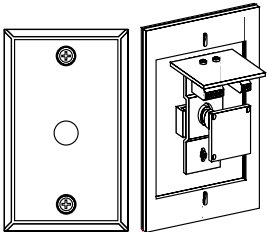
ChannelPlus 7300 Series Solid State Cameras

The 7300 series are versatile solid state cameras, designed to fit standard single gang J boxes. The power supply terminals and BNC video connector are mounted on a PC board for maximum ruggedness and dependability. The camera mount is weather resistant and comes with a standard single gang gasket. The solid brass cover plate may be painted to match a house color.



Model 7311 Black & White Camera

512x492 pixels, .2 lux, 3.6 mm lens
Includes power supply (12 VDC @ 250 mA)

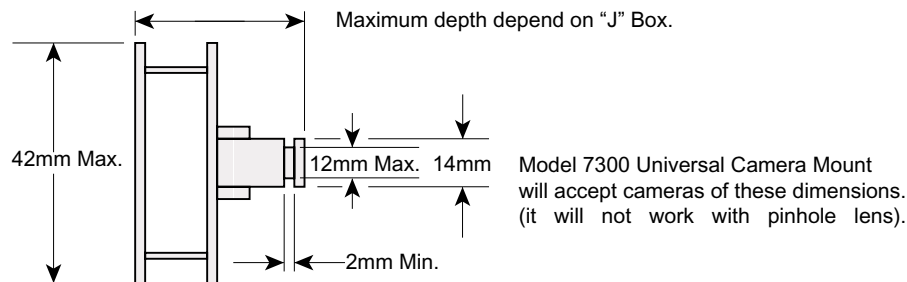


Model 7320 Color Camera

512x492 pixels, 4 lux, 3.6 mm lens
Includes power supply (12 VDC @ 250 mA)

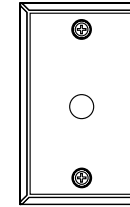
7300 Universal Camera Mount

The 7300 camera mount can be used with most brands of solid-state board cameras. The mount fits all board cameras with these dimensions.



Painting the Cover Plate

The solid brass cover plate may be painted to match the house color. First, remove the camera from the plate. Lightly sand the plate using 300-400 grit wet/dry paper. Use a good quality metal primer that is rated for exterior use. Before applying the primer, follow the manufactures instructions for cleaning the plate. Standard house paints may now be used.



Specifications:

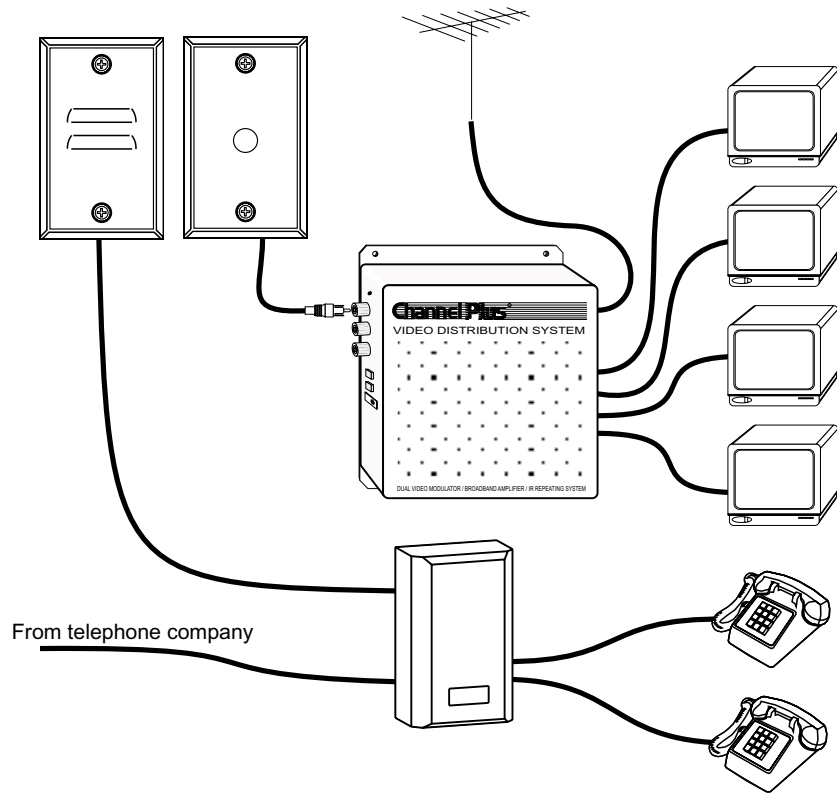
Typical @ 25°C ± 5°C

Model	7311	7320
Image	EIA (Black & White)	NTSC (Color)
Image sensor	1/3" interline transfer CCD	1/4" interline transfer CCD
Resolution	380 TV lines	330 TV lines
Minimum illumination	.2 lux	4 lux
Signal to Noise ratio	50 dB	46 dB
AGC	Yes	Yes
Lens	3.6mm F2.0	3.6mm F2.0
Power	8-14 VDC	8-14 VDC
Power supply part #	350-083	350-083
Power consumption	1 W	1.5 W

Locating the Camera

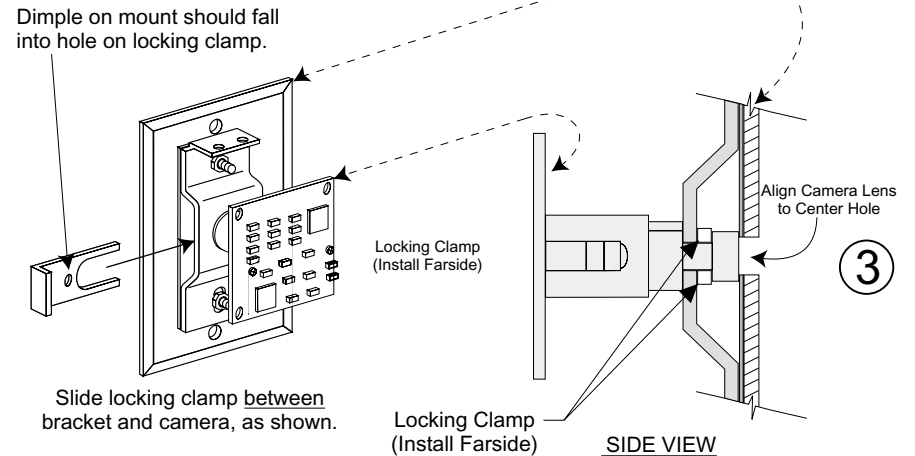
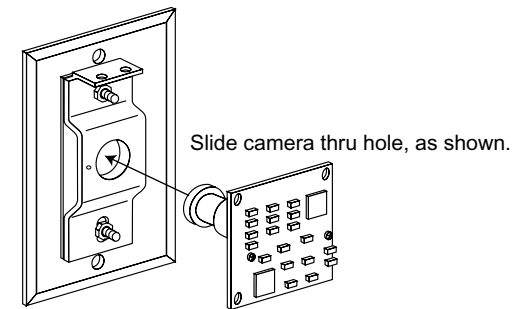
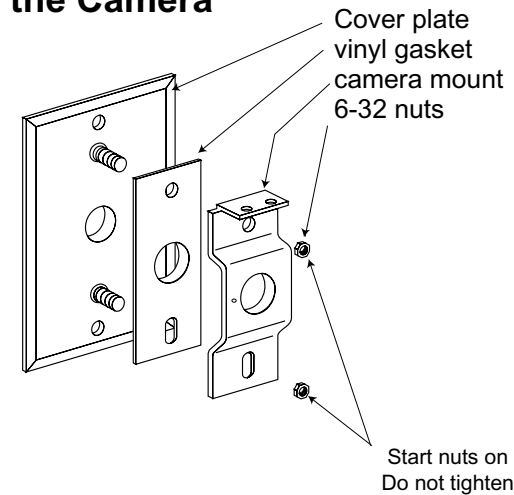
The camera 'looks' straight out from the cover plate. For a front door application, place the camera lens 66 inches off the ground, adjacent to the door.

Adding the DoorTel Front Door Intercom.

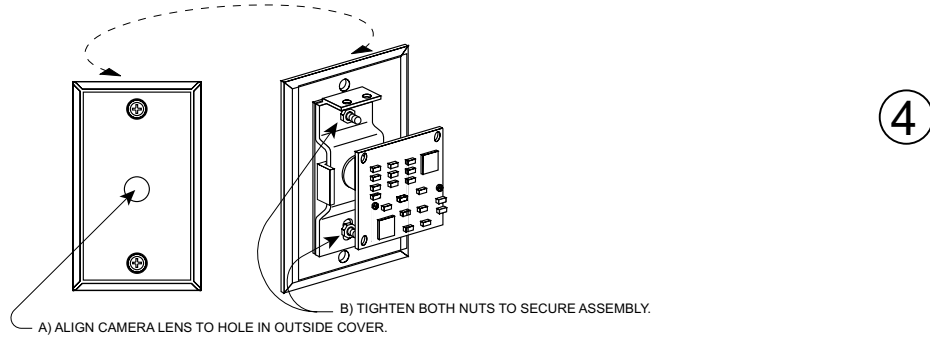


A ChannelPlus DoorTel system (model 9400) is an ideal addition to this system. In this house, when the doorbell rings, the homeowner changes the TV to the front door channel and picks up any phone in the house. The homeowner can talk with and see the guest at the front door.

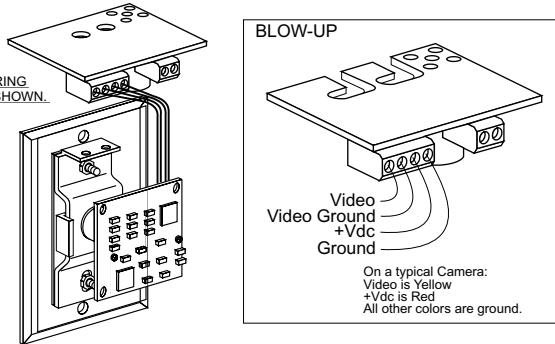
Assembling the Camera



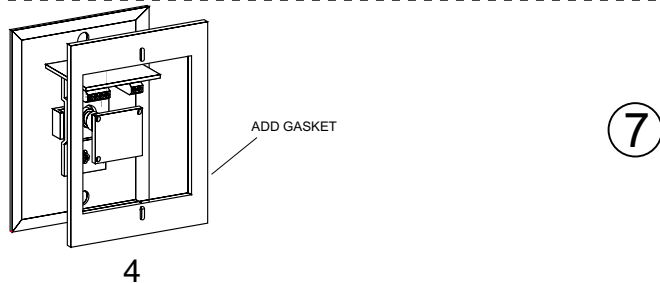
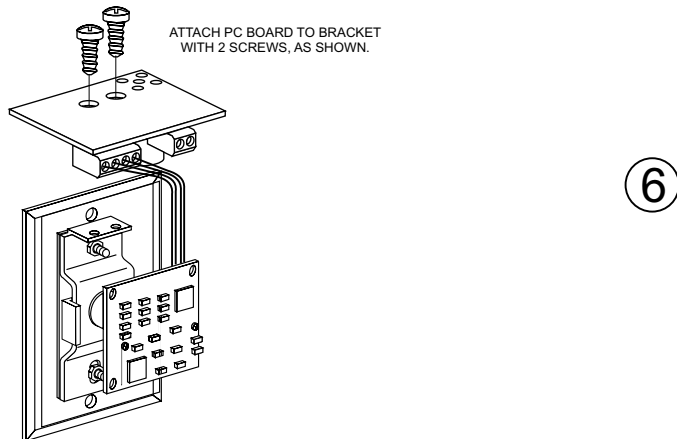
Assembling the Camera (cont.)



CONNECT CAMERA WIRING TO TERMINAL BLOCK AS SHOWN.

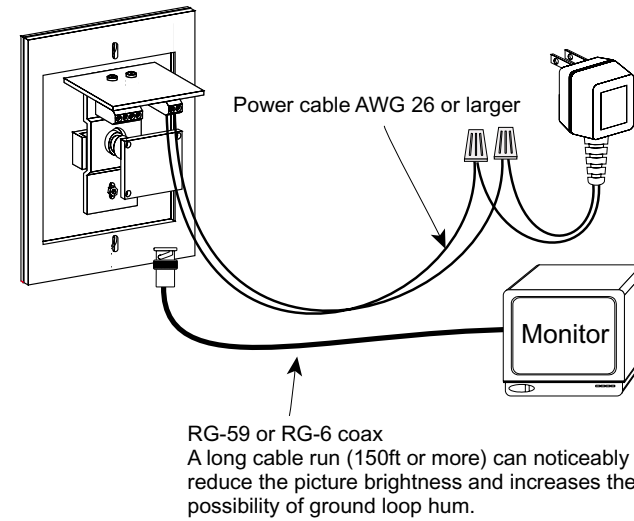


ATTACH PC BOARD TO BRACKET WITH 2 SCREWS, AS SHOWN.

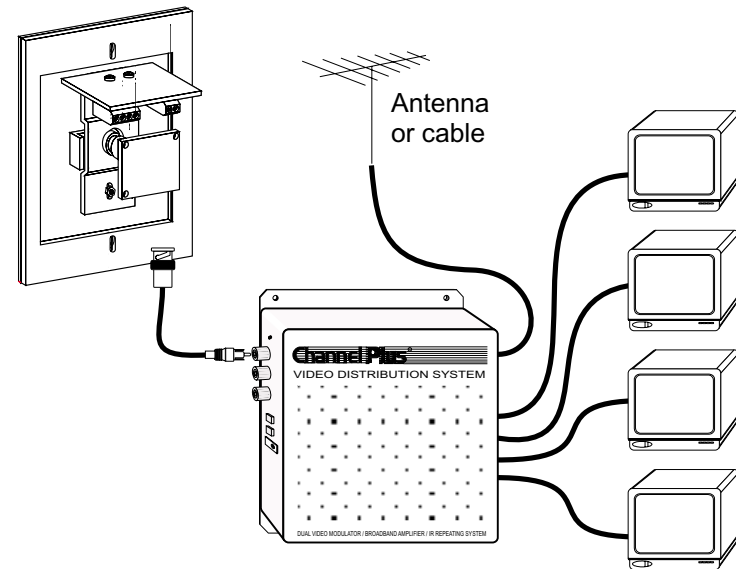


4

Connecting the Camera



Viewing the Camera From All TVs in a House



Using an All in One Video Distribution System such as a ChannelPlus model 3015, you may view the camera on an unused UHF or cable channel. (For example, the front door camera could be UHF channel 50. All antenna channels will appear normally.)

5