

Linear®

Building On Innovation.

1x8 Component / Audio Distribution Amplifier

Model# COMP-DA-1X8

USER MANUAL



1080P
PROGRESSIVE

HD TV

HD DVD



www.linearcorp.com



ASKING FOR ASSISTANCE

Technical Support:

Telephone (800) 421-1587
(760) 438-7000

Fax (760) 438-7199

Technical Support Hours:

6:30 AM - 4:30 PM PST Monday through Friday.

Email:

techsupport@linearcorp.com

Website:

www.linearcorp.com

Notice

Linear LLC reserves the right to make changes in the hardware, packaging and any accompanying documentation without prior written notice.

TABLE OF CONTENTS

1. Introduction
2. Features
3. Panel Descriptions
4. Connecting and Operating the 1x8 Component / Audio Distribution Amplifier (DA) and Application Diagram
5. Rack Ears Installation Diagram
6. Wiring Diagram
7. Specifications
8. Warranty

INTRODUCTION

The Linear 1:8 Component with Audio Distribution Amplifier is the perfect solution for anyone who needs to send one source of high definition component video and analog or digital audio to multiple displays at the same time. It supports component equipment, such as DVD players, satellite set top boxes and component displays. In operation, the component video source is connected to the distribution amplifier at the input. Eight outputs are available to be used in part or in full. Once the unit is connected and powered, your source can be routed up to eight component high definition displays at the same time.

How It Works

Simply connect the source's component and audio cables to the 1:8's input. Then, connect up to eight component displays to the 1:8's outputs. Power on the unit and watch up to full HD 1080p on eight displays without any signal loss or picture degradation. When two or more 1:8's are connected together, you can create a large distribution system.

FEATURES

Features

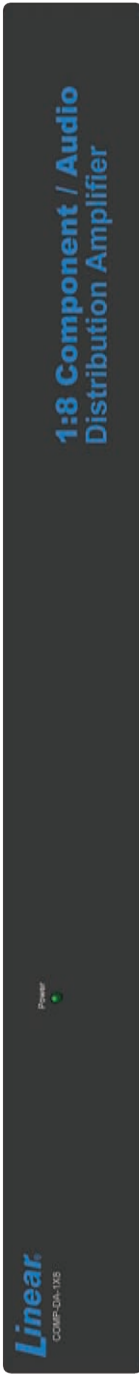
- Connects up to eight component displays at the same time to one video source
- Supports HDTV (Component, YPbPr, RGsB) and SD (Composite, YCbCr) input signals
- Supports HDTV resolutions up to 1080p
- Both analog and digital audio outputs are active

Includes:

- (1) 1x8 Component / Audio DA
- (1) 6 ft 5RCA Component/R+L Audio Cable
- (1) 5V DC Power Supply
- (1) Set Of Rack Ears
- (1) Users Manual

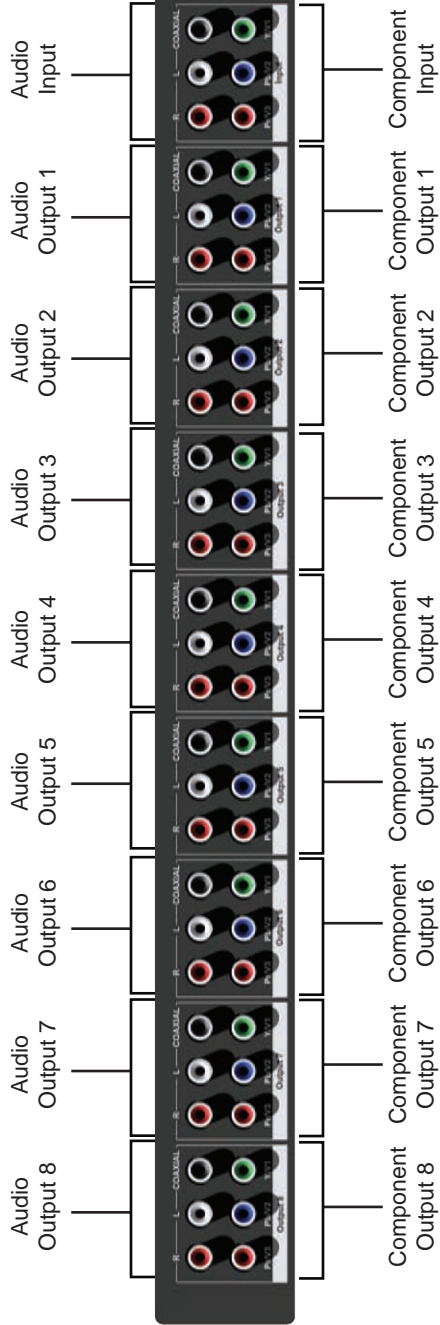


Front Panel



Power LED

Back Panel



CONNECTING AND OPERATING THE 1x8 COMPONENT / AUDIO DA

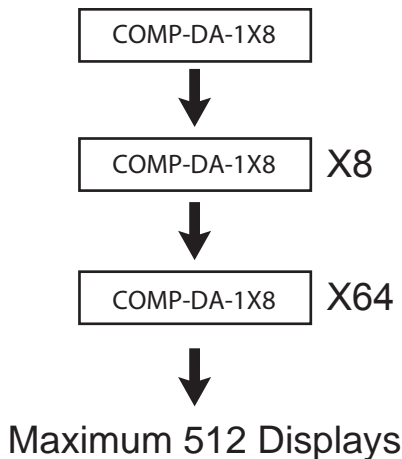
How to Connect the 1x8 Component / Audio DA to your devices

- 1 Connect the supplied component cable from the HDTV source into the 1X8 Component / Audio DA's input port.
- 2 Connect either a SPDIF digital audio or RCA analog right and left audio cable into the 1X8 Component / Audio DA's audio input port.
- 3 Connect the component and audio cables from your display(s) (up to 8) into the component and audio out slots on the 1X8 Component / Audio DA.
- 5 Plug the 5V DC power supply into the 1X8 Component / Audio DA.
- 6 Plug the 5V DC wall mount power supply into the wall outlet.

NOTE: Both analog and digital audio outputs are active on all of the outputs. Also, Composite video can also be fed into the Component video input to split and distribute Composite video.

Application Diagram

Multiple COMP-DA-1X8 devices can be daisy chained together to distribute a single Component signal to 73 units maximum, for a total of 512 displays.



Maximum recommended distance of component cabling between each COMP-DA-1X8 or display (1080p) is 50 ft. Maximum number of displays that are supported in a large 1x8 Component / Audio DA system is 512.

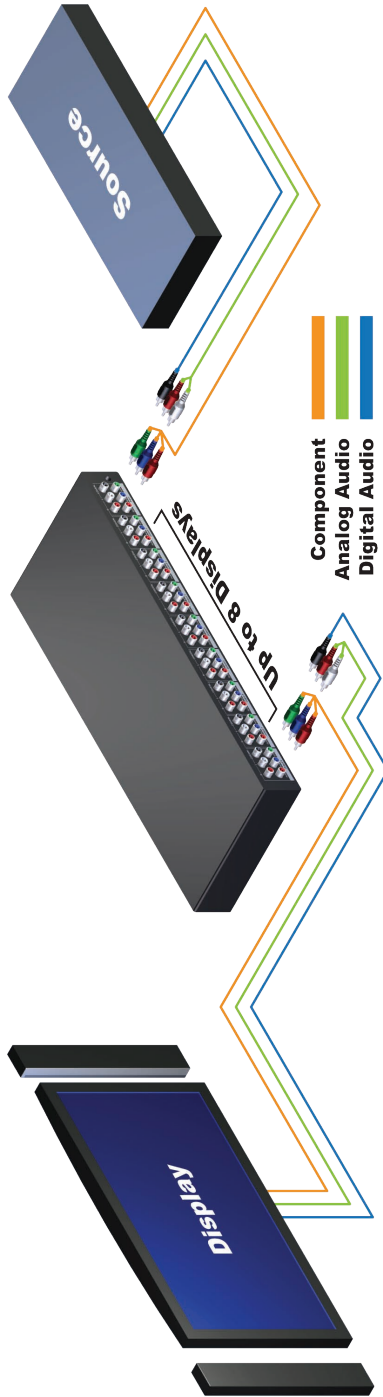
RACK EARS INSTALLATION DIAGRAM

Rack mount ears are provided for installation of this unit into a 1U rack mount space.

1. Locate the side screws on the unit.
2. Remove the front 2 screws that are located closest to the front of the unit.
3. Using the removed screws, screw the rack mounting bracket into the unit.
4. Repeat the procedure on the opposite side of the unit.



WIRING DIAGRAM



Component cable maximum distance is 50 feet at 1080p resolution without a COMP-CAT5-EXT

SPECIFICATIONS

Input	YPbPr x1 or RGsB x1 (or RGBHV), or Composite x 1 (1 Vp-p@ 75 Ohm)
Output	YPbPr x 8, or RGsB(or RGBHV), or Composite x 8
Audio input	Digital (SPDIF) x1 + R/L x 1
Audio output	Digital (SPDIF) x8 + R/L x 8
Analog audio input/output	Audio 2 Vrms max 47k Ohm
Bandwidth	480MHz (-3dB)
Video Range	480i, 480p, 720p, 1080i, and 1080p
Differential gain	0.05%
Differential phase	0.05 degree
Power Supply	5V DC
Dimensions	17.5" W x 1.75" H x 6.75" D
Rack Mountable	1U Rack Space
Shipping Weight	8 lbs.

WARRANTY

Note: These products are designed to be installed and serviced by trained professional installation companies.

Linear LLC warrants this product to be free from defects in material and workmanship. For the term of the warranty, see the list of products below. The Warranty Expiration Date is reflected by a date code that is affixed to all of Linear's products. This warranty extends only to wholesale customers who buy direct from Linear or through Linear's normal distribution channels. Linear does not warrant this product to consumers. Consumers should inquire from their selling dealer as to the nature of the dealer's warranty. There are no obligations or liabilities on the part of Linear LLC for consequential damages arising out of or in connection with use or performance of this product or other indirect damages with respect to loss of property, revenue, or profit, or cost of removal, installation or reinstallation. All implied warranties, including implied warranties for merchantability and implied warranties for fitness, are valid only until warranty expiration date as labeled on the product. This Linear LLC Warranty is in lieu of all other warranties express or implied. Some states and countries do not allow limitations or how long an implied warranty lasts or the exclusion or limitation or incidental or consequential damages, so the above exclusions may not apply. The Linear LLC warranty gives specific legal rights in addition to other rights, which may exist and vary from state to state and country to country.

All products returned for warranty service require a Return Product Authorization Number (RPA#). Contact Linear Technical Services at 1-800-421-1587 for an RPA# and other important details.

Consumers: If you have trouble locating your installing company, please contact Linear LLC at 1-800-421-1587 and we will assist you with locating a service and Installation Company.

The following warranty period applies to this set of Linear branded products.

1. Linear High Definition Video products — Two (2) years. There is no warranty offered on the batteries supplied with the IR remote Control.

The warranty is limited to repair or replacement of products returned, freight prepaid, to Linear LLC. There is NO PROVISION FOR LABOR COST OR OTHER REIMBURSEMENTS OF ANY KIND.

1. Failures due to product abuse, negligence, improper installation, improper use, and electrical surge including damage from lightning, water damage or other damage due to natural disasters are not covered by the warranty.
2. The warranty shall also be voided by any tampering with the date code, labels or other markings on the product.
3. Products that are damaged in transit to Linear LLC due to improper packaging or by the carrier (shipping company) will not be covered under the warranty. If the product was damaged or lost by the carrier, it is the sender's responsibility to create a claim against the carrier.
4. The user is responsible for all labor costs associated with removing, reinstalling and returning the product to Linear LLC.
5. Linear LLC, at its option, will repair or replace the defective product.
6. Replacements will be made from B-Stock. If an exact replacement is not available Linear LLC, at its option will select the nearest equivalent product. The user is responsible for freight charges to Linear LLC.
7. Linear LLC will return warranted repaired or replacements by UPS Ground or an equivalent service. A customer may pay the additional costs for second day or next-day service.

COMP-DA-1X8



(760) 438-7000
(800) 421-1587 FAX (800) 468-1340
www.linearcorp.com

Rev A