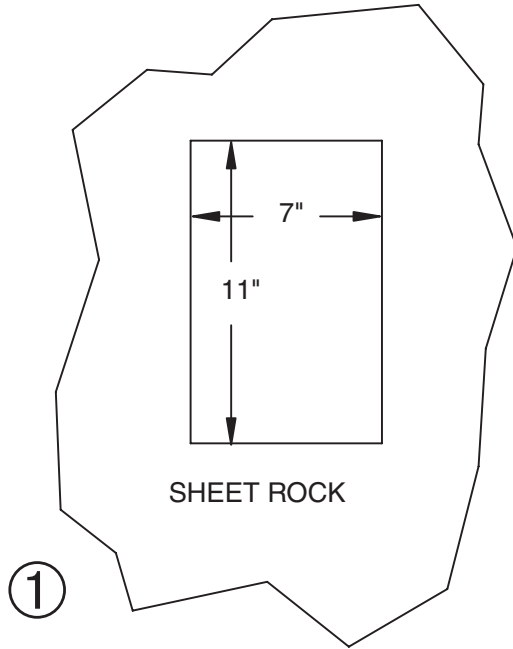
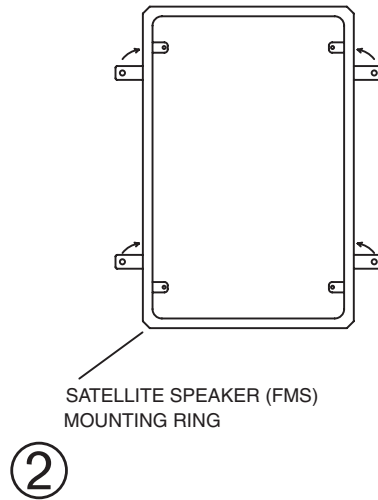


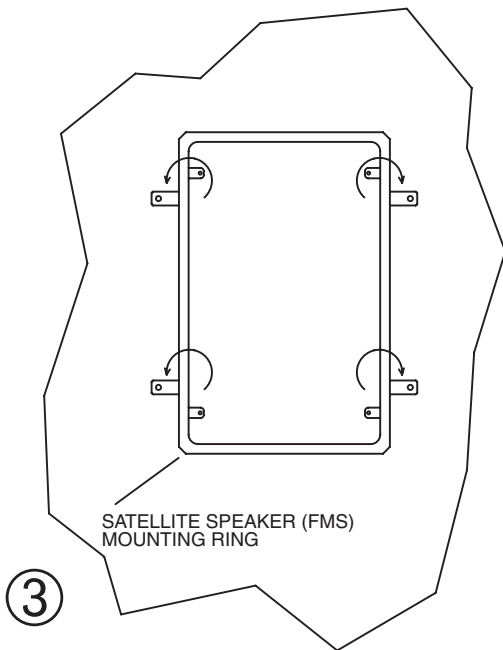
ROUGH-IN INSTALLATION INSTRUCTIONS FOR THE FLUSH-MOUNT SPEAKER



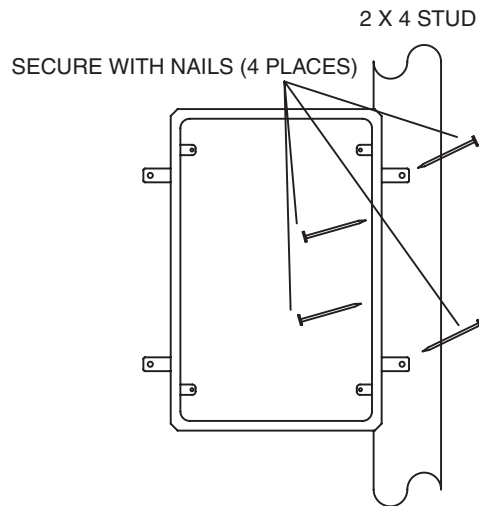
STEP 1: Cut 7" x 11" Hole in the Sheetrock.



STEP 2: Bend Mounting Tabs Straight.



STEP 3: Insert Ring into the Sheetrock & Bend Mounting Tabs around behind the Sheetrock



ALTERNATE METHOD
Nail to the Stud during framing of the house.