

ChannelPlus Telephone Entry Module

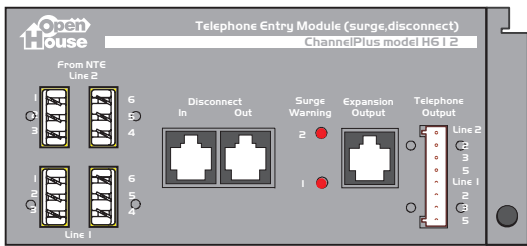
IMPORTANT INSTRUCTIONS

When using your telephone equipment, basic precautions should always be followed to reduce the risk of fire, electric shock and injury to persons, including the following:

1. Read and understand all instructions
2. Do not use this product near water, for example, near a bath tub, wash bowl, kitchen sink, or laundry tub, in a wet basement, or near a swimming pool.
3. Never push objects of any kind into this product through cabinet slots as they may touch dangerous voltages.

4. SAVE THESE INSTRUCTIONS

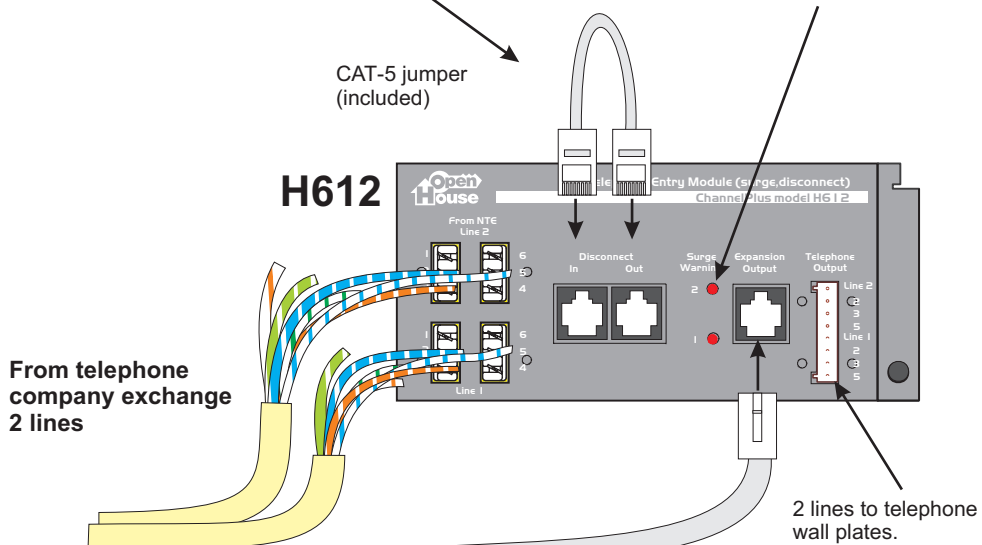
The **H612 Telephone Entry Module** provides a superior method of telephone connection to your system. Each unit provides surge suppression for two lines and a master disconnect. Also, each line has an LED status indicator to warn you of a surge event.



Typical Installation

Install this jumper for normal operation. Remove to disconnect telephone service from the system.

Each line is individually surge protected to 50 Joules and 4000 Amps. Some surges contain sufficient energy that although your system has been protected, the surge circuit will be unable to provide additional protection. When this happens, the red light for that line will turn on and the module needs to be returned for service.



From telephone company exchange 2 lines

CAT-5 jumper (included)

2 lines to telephone wall plates.

H618 telephone expansion hub

Use self adhesive sticker provided to label the output I.D.

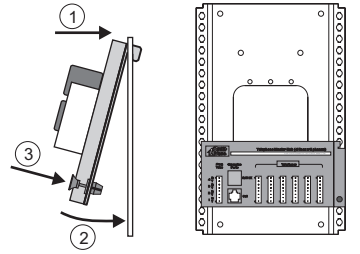
Use CAT-3 or CAT-5 wires, 2 lines to 8 telephone wall

SAFETY INFORMATION:

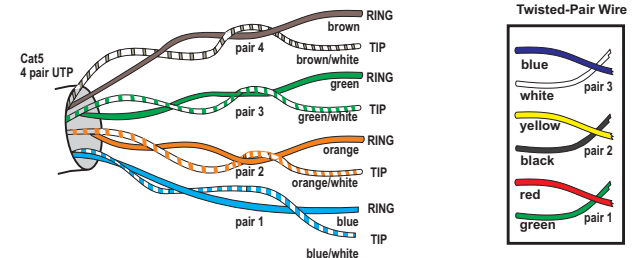
- a) Never install telephone wiring during a lightning storm.
- b) Never install telephone jacks in wet locations.
- c) Never touch uninsulated telephone wires or terminals unless the telephone line has been disconnected at the network interface.
- d) Use caution when installing or modifying telephone lines.

OpenHouse™ modules attach from the top

- 1) Hook from the top
- 2) Swing into place
- 3) Push button to lock

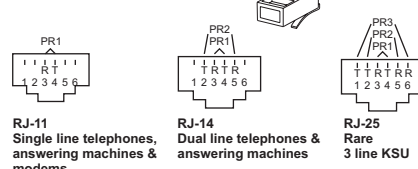


Wire Color Codes

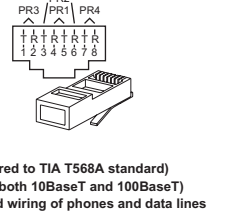


Modular connectors

6 position connectors

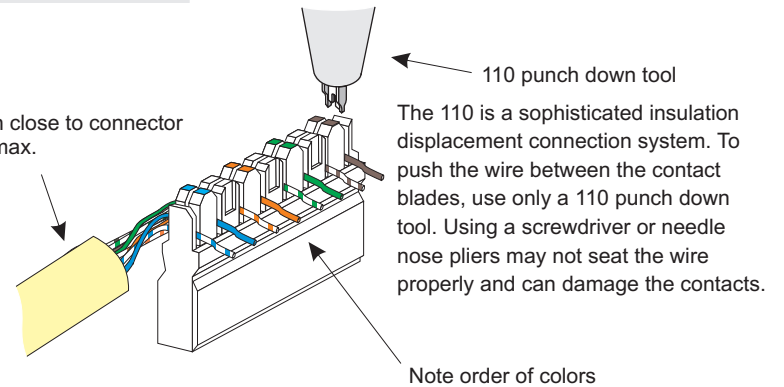


8 position connectors

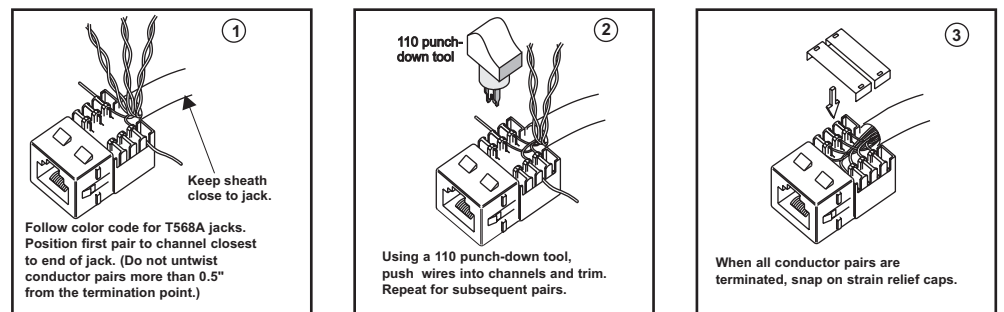


Wiring a 110 connector

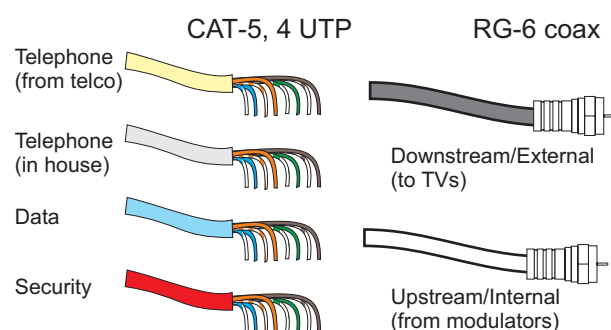
Keep sheath close to connector Untwist .5" max.



Wiring a Cat-5 jack



Colors of OpenHouse™ wiring



Wiring Modular Plug (T568A)

