

Six-Pair Speaker Selector



Part Number

- *Six-Pair Speaker Selector—SS1*

Owners Manual

Introduction

The SSI speaker selection system enables you to play up to six pairs of speakers throughout your house. You can play one pair, all six pairs or any combination of pairs at the same time.

The SSI offers the following features:

- Connects up to six pairs of speakers
- Autoformer impedance matching for high quality audio distribution with low power loss and no heat generation
- Separate left and right channel ground paths for compatibility with all amplifiers including bridged
- Dual source design with an A/B source switch
- Removable terminals for easier wire installation which can handle up to 12 gauge speaker wire
- Power handling capability of 100 watts RMS per channel (continuous music power) and 300 watts peak per channel
Ideal for both home and commercial sound installations

Installation Notes

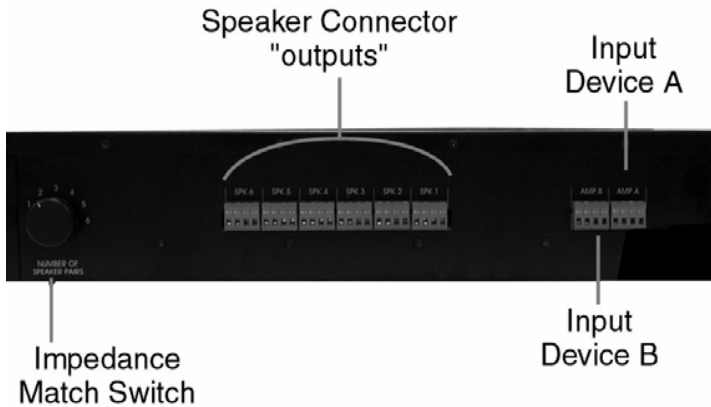
We recommend the use of 16 gauge, stranded copper speaker wire when connecting the SSI speaker selector to your speakers or volume controls. When running speaker wire inside walls use wire that has a fire rating of "CL-2". You can get M&S Systems 16 gauge, CL-2 rated wire from your installer or dealer (M&S Systems Part Numbers MS16X5SC and/or M5164X5SC).

To avoid electrical noise interference, we recommend speaker wire runs be kept at least 18" away from electrical devices and RF cable runs. Running the speaker wire too close to electrical devices such as light dimmers or light switches can cause a "buzzing or popping" sound to be heard through the speakers.

Installing the SSI

The SSI is designed with removable terminals for easier speaker wire connections. To connect the wire to the terminal, you will need a small flat head screwdriver. When connecting the speaker wires, it is important to make sure that the speakers are connected to the appropriate channel and polarity connectors. (For example, left channel positive to left channel positive.)

Figure 1—SSI Component Locations



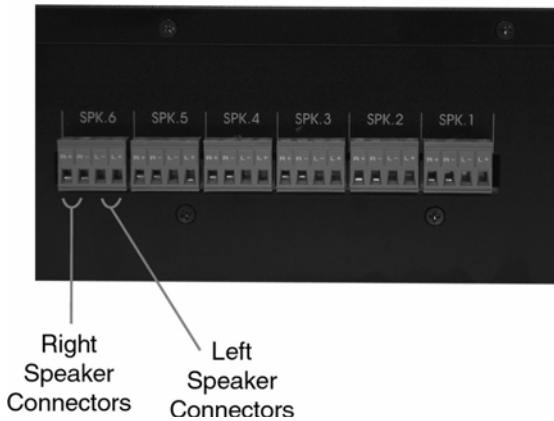
Follow the steps below to connect the SSI Speaker Selector to the speakers and output devices.

1. Select a location for the SSI.
2. Run all wiring to the SSI. Label the wires for future reference.
3. Strip 3/8" of insulation from the ends of each wire that will be connected to the SSI.
4. Tightly twist the end of each wire until there are no frayed ends.
5. Take the removable connectors off the SSI (see Figure 2).
6. Insert each wire into the appropriate hole on the removable

connector and screw down tightly (see Figure 2).

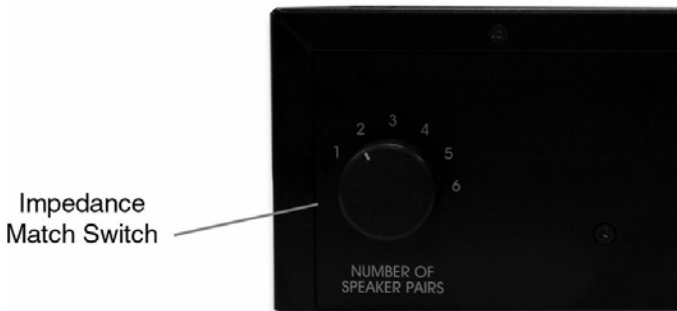
7. Reinsert the removable connector into its position on the back of the SSI.
8. Repeat steps 3-7 for each set of speakers and the Source A and Source B input devices.

Figure 2—Removable Speaker Connectors



9. Turn the Impedance Match Switch to indicate the number of speaker pairs connected to the SSI. This is critical to ensure that the impedance level is properly set. If 2 pairs of speakers are connected to the SSI, turn the Impedance Match Switch to the number 2 as shown in Figure 3.
10. Set the Input Device Source to either A or B to indicate the

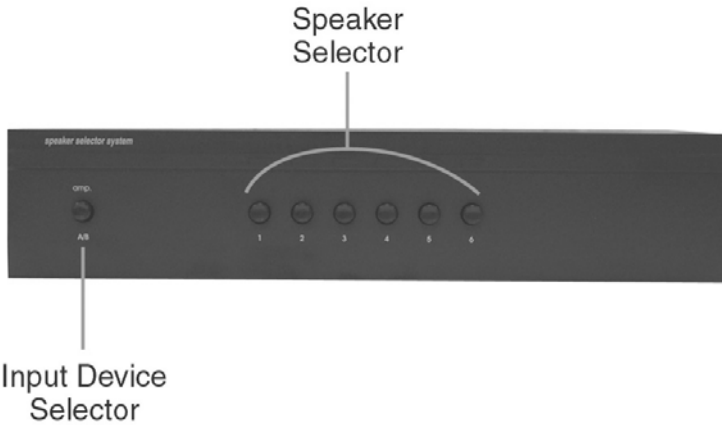
Figure 3—Impedance Match Switch Location



source device for the speakers.

11. Select the output speakers by pushing in the button that corresponds with each location number. You may select only one pair of speakers, all six pairs or any combination of speaker pairs.

Figure 4—SSI Operating Controls Location



Impedance

The SSI Speaker Selector includes impedance correction circuitry that assures that your receiver or amplifier operate at a safe load even when all six pairs of speakers are playing at the same time.

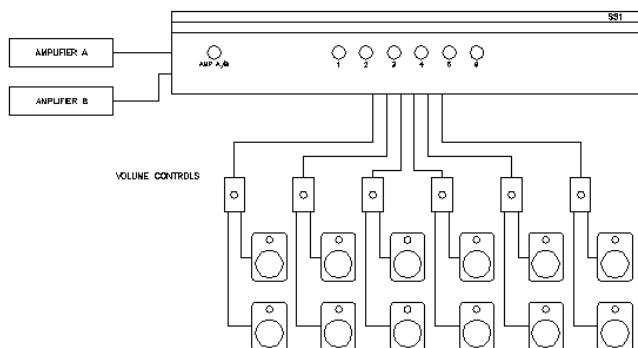
Figure 5—Impedance Loads

Figure 5 shows the specific impedance loads that will be presented to your amplifier depending on the number of speakers and impedance match setting you are using.

Number of Speakers Playing						Impedance Match Switch Location
1	2	3	4	5	6	
8Ω						1
8Ω	8Ω					2
8Ω	8Ω	8Ω				3
8Ω	8Ω	8Ω	8Ω			4
8Ω	8Ω	8Ω	8Ω	8Ω		5
8Ω	8Ω	8Ω	8Ω	8Ω	8Ω	6

When connecting the SSI Speaker Selector to volume controls, use M&S Systems non-impedance matching volume controls (M&S Part Numbers VCI and VCID). You can purchase M&S Systems volume controls from your dealer. Figure 6 displays an SSI configuration using volume controls.

Figure 6—SSI Setup Using Volume Controls



Service and Troubleshooting

M&S Systems is committed to producing high quality products for the home. If you have any questions or problems with your SSI Speaker Selector or if it is not operating properly, contact your installer or call M&S Systems at 1-800-366-9422 and speak with one of our technical support specialists.

You may also visit our web site at www.mssystem.com for a frequently asked questions list that may provide you with quick assistance with any troubleshooting or service concerns.

Warranty

M&S SYSTEMS Limited 2-Year No-Fault Product Warranty

M&S SYSTEMS warrants for 2 years all products to be free of defects (M&S SYSTEMS honors the 10-Year No-Fault warranty for AirVac Gold power units). The warranty period begins from either (1) the date of “first user” purchase of this product or (2) the first close of escrow date on a residence in which this new product was originally installed. This warranty extends to the original user of the product and to each subsequent owner of the product during the term of this warranty. M&S SYSTEMS will repair or replace, at its option, parts and materials at no charge. Parts supplied under this warranty may be new or rebuilt at the option of M&S SYSTEMS.

If, during the limited warranty period, it appears as though this product contains a defect, which is covered by this limited warranty, **call our toll free service number before dismantling the product (1-800-877-6631). Remember to attain a Return Authorization Number (RAN) before returning any product to M&S SYSTEMS. Send the product freight pre-paid and insured to our service center for warranty repair.** You will be advised on shipping instructions when you call the toll free service number. M&S Systems will return the repaired product freight pre-paid within the U.S.A. The installing dealer or distributor may assist you, at your choice and expense, with returning product for repair. Please include a brief description of the problem and a dated proof-of-purchase receipt with any product that is returned for warranty repair. **ANY PRODUCT RETURNED WITHOUT A RETURN AUTHORIZATION NUMBER WILL BE REFUSED.**

THIS LIMITED WARRANTY IS IN LIEU OF ANY OTHER WARRANTIES, EXPRESS OR IMPLIED, INCLUDING ANY IMPLIED WARRANTY OF MERCHANTABILITY OR FITNESS FOR A PARTICULAR PURPOSE OR OTHERWISE, AND OF ANY OTHER OBLIGATIONS OR LIABILITY ON THE SELLER'S PART. THIS LIMITED WARRANTY DOES NOT COVER DAMAGE CAUSED BY IMPROPER INSTALLATION, THE VIOLATION OF APPLICABLE BUILDING OR ELECTRICAL CODES. THIS LIMITED WARRANTY APPLIES ONLY TO PRODUCTS INSTALLED IN A PRIVATE RESIDENCE.

UNDER NO CIRCUMSTANCES SHALL THE SELLER BE LIABLE FOR CONSEQUENTIAL, INCIDENTAL OR SPECIAL DAMAGES ARISING IN CONNECTION WITH USE OR INABILITY TO USE THIS PRODUCT. IN NO EVENT SHALL SELLER'S LIABILITY, FOR BREACH OF WARRANTY, BREACH OF CONTRACT, NEGLIGENCE OR STRICT LIABILITY, EXCEED THE COST OF THE PRODUCT COVERED HEREBY. NO PERSON IS AUTHORIZED TO ASSUME FOR US ANY OTHER LIABILITY IN CONNECTION WITH THE SALE OF THIS PRODUCT.

Some states do not allow the exclusion or limitation of consequential, incidental or special damages, so the above limitation or exclusion may not apply to you. This limited warranty gives you specific legal rights, and you may also have other rights, which vary from state to state.

M&S SYSTEMS™

2861 Congressman Lane

Dallas, TX 75220

Phone: 800-877-6631

www.mssystem.com

115946 REV. -