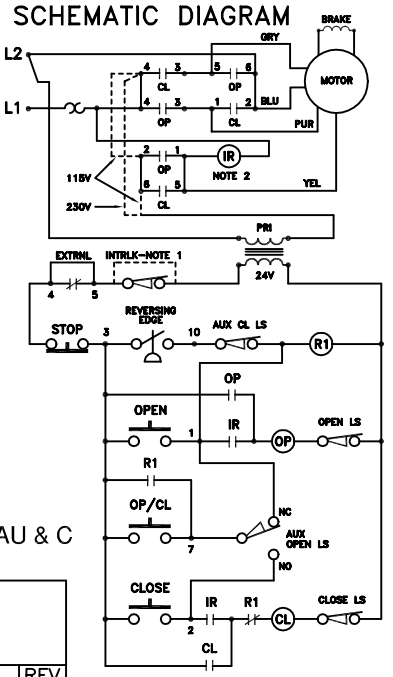


- NOTES:**
1. HAND CHAIN INTERLOCK SWITCH ON HAND CHAIN MODELS.
 2. VOLTAGE SAME AS LINE VOLTAGE.
 3. MOVE RED WIRE FROM 3 TO 2 FOR CONSTANT PRESSURE TO CLOSE.
 4. USE COPPER WIRING ONLY ON FIELD WIRING TERMINALS.
 5. DPDT SWITCH OR TWO (2) SPDT SWITCHES. C MODEL LIMITS NOT AS SHOWN.

CONNECT REVERSING EDGE & TEST MONTHLY.

CAUTION: DISCONNECT POWER BEFORE ATTEMPTING SERVICE OR ADJUSTMENTS.



Standard Wiring Models J,H,MO,GT,MGH,AU & C Reverse Limits Wiring Model T

Alstar c.p. ALLSTAR CORPORATION
 PO Box 240
 Downingtown, PA 19335

APPRV. BY	SHEET	DRAWN BY	REV
	1 / 1	CPC	F
TITLE		DATE	DRAWING NO.
WRG DIAG,CDO,1P,B2/C2,STNDRD		5-16-96	106847