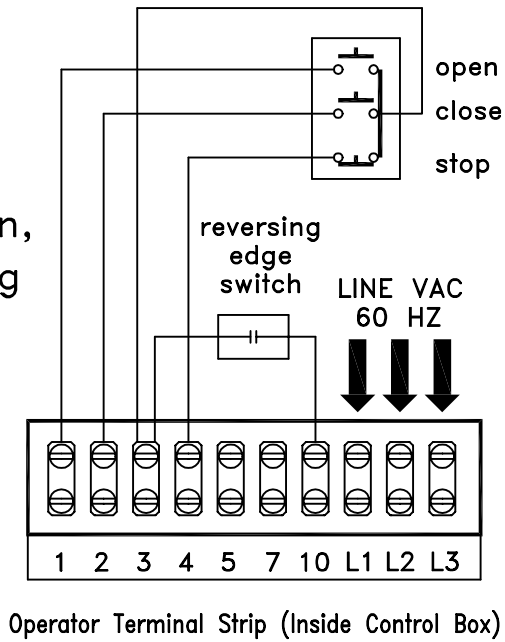
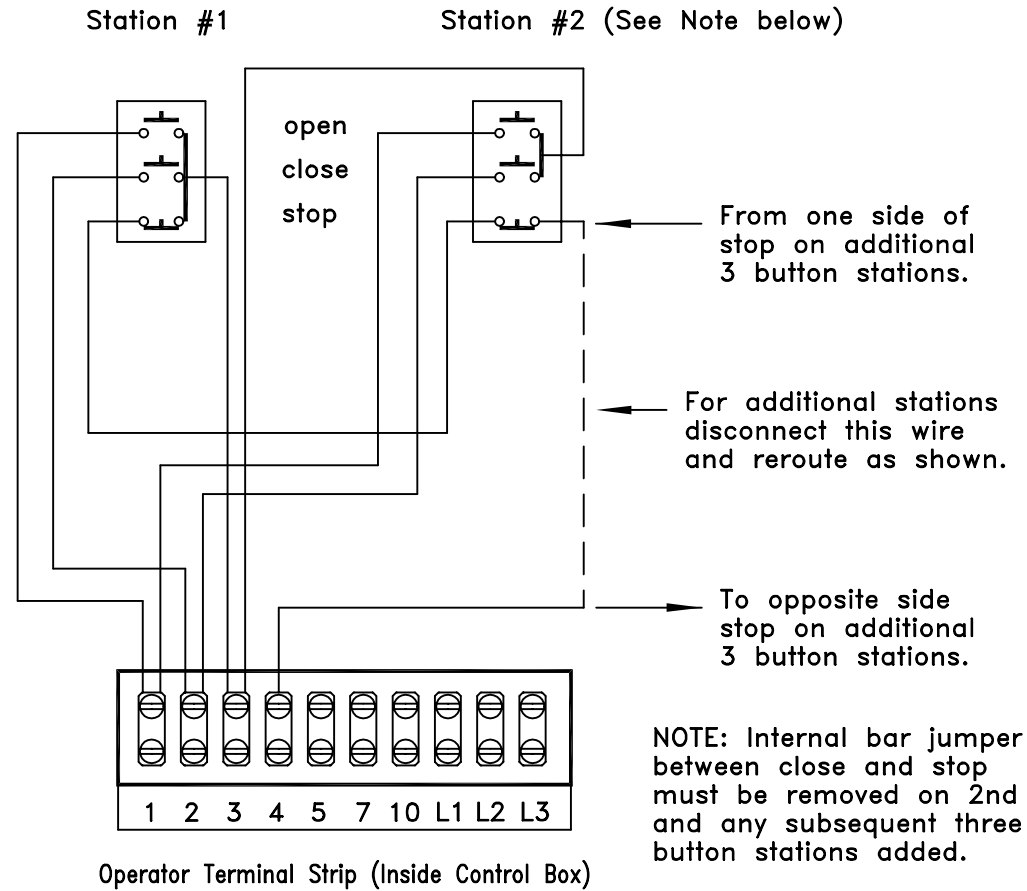


Line Voltage,
Single Three
Button Station,
and Reversing
Edge Wiring.

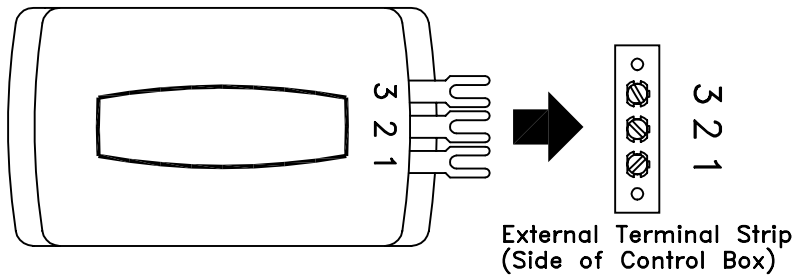


Multiple 3 button station wiring



NOTE: Internal bar jumper between close and stop must be removed on 2nd and any subsequent three button stations added.

Single contact radio control
installation



NOTE: 3 BUTTON STATION MUST BE INSTALLED IN ORDER FOR SINGLE CONTACT RADIO TO OPERATE.