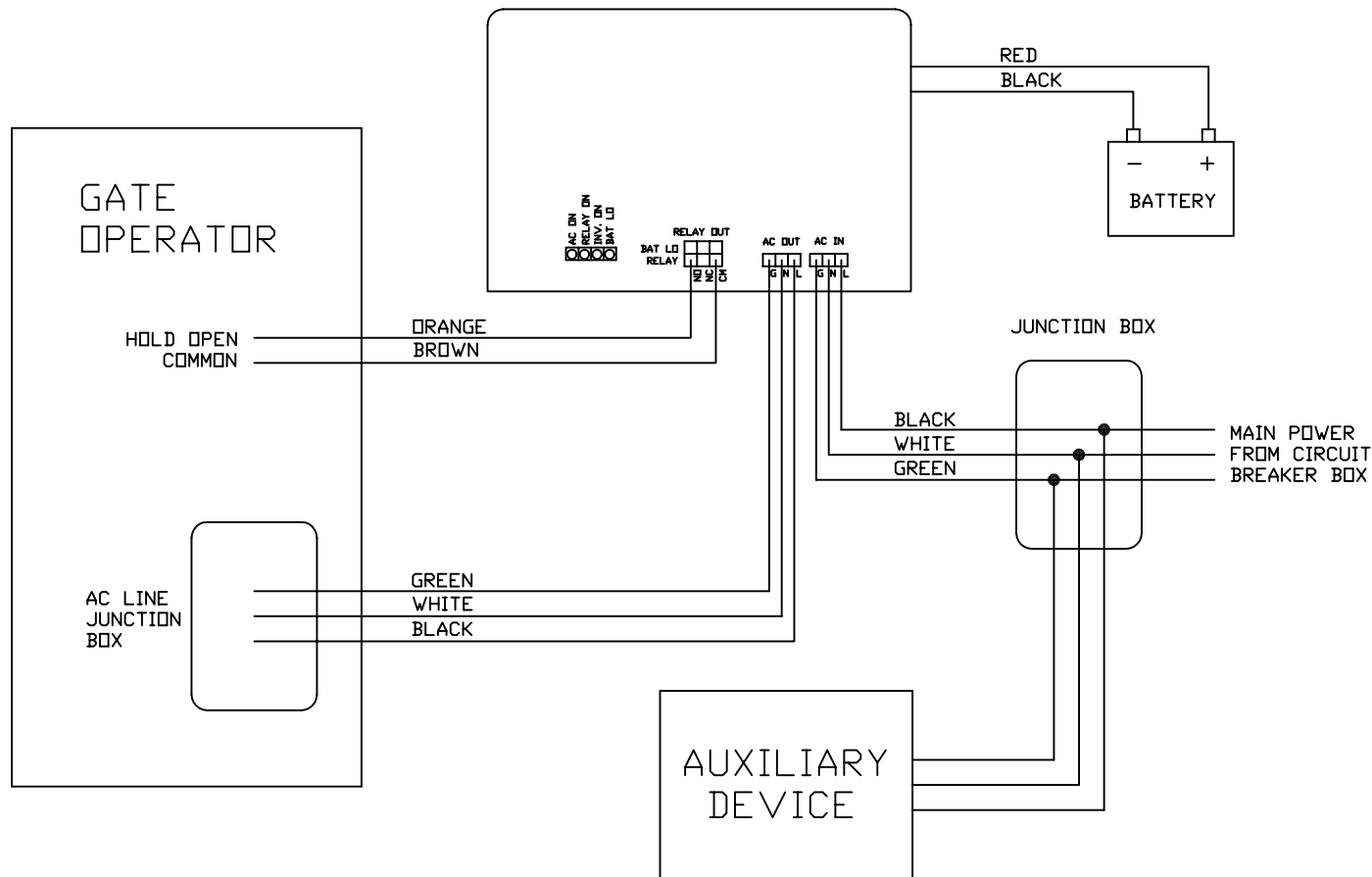



DATE	REV	REVISION NOTES	ECN	BY
7/17/97	A	RELEASED TO DOC. CTRL		EAH
9/2/97	B	COMMON WIRE WAS YELLOW.	1425	EAH
10/16/97	C	HOLD OPEN WIRE WAS YELLOW; COMMON WIRE WAS BLUE.	1475	EAH



TOLERANCE (EXCEPT AS NOTED) DECIMAL X.X ±0.030 X.XX ±0.020 X.XXX ±0.010	 c.p. ALLSTAR CORPORATION PO Box 240 Downingtown, PA 19335		FRACTIONAL	APPROVED BY	SCALE	DRAWN BY	
			±1/32		1:3	DCG	
	ANGULAR	MATERIAL	SHT	1 OF 1			
	±1°			© 1997			
TITLE						DWG NO.	REV
WIRE DIAG, ASPS						107890	C