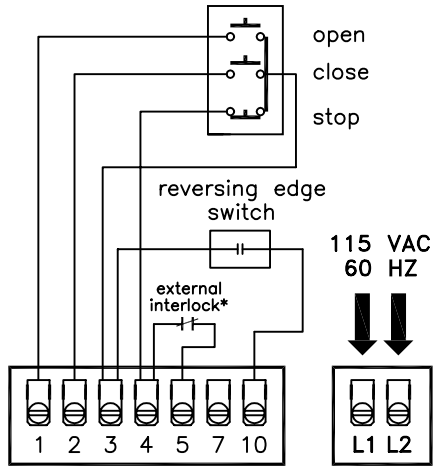
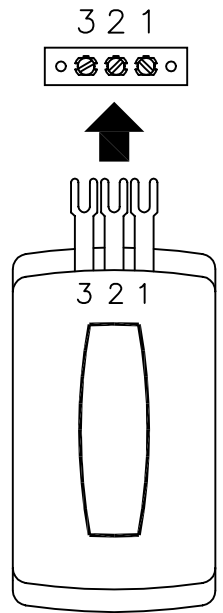


# FIELD WIRING

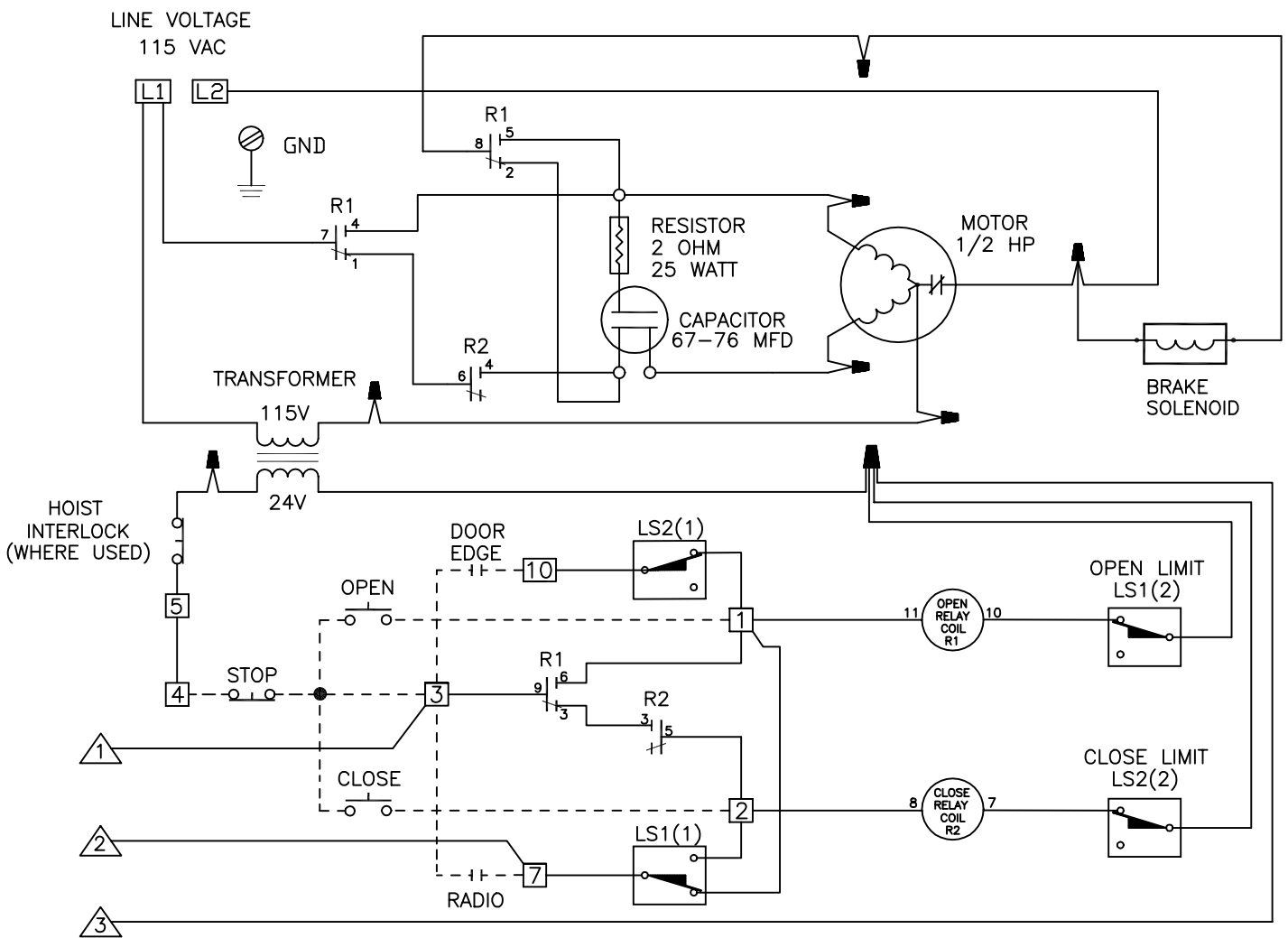


OPERATOR TERMINAL STRIPS  
 \*When used remove brown wire internal jumper.

# Single Contact Radio Control Installation



NOTE: 3 BUTTON STATION MUST BE INSTALLED IN ORDER FOR SINGLE CONTACT RADIO TO OPERATE.



MODEL	M50JH & M50JF	Wired for reversing edge.
VOLTAGE	115 V	
PHASE	1	
CONTROL CKT.	24 VAC	

LEGEND  
 RADIO BLOCK TERMINALS   
 CONTROL BOX TERMINALS   
 FIELD WIRING   
 WIRE NUT CONNECTION

**Allstar** c.p. ALLSTAR CORP.  
 P.O. BOX 204  
 DOWNINGTOWN, PA 19335

© COPYRIGHT 1997		DRAWN BY C.P. COGGINS	
		DATE 10/21/97	
TITLE M50JH/M50JF SCHEMATIC		REVISION DATE 10/21/97	
APPROVED BY		REVISION	DRAWING NO.
		A	108077