

**AU H Series****JACKSHAFT OPERATOR WITH CHAIN HOIST****Heavy-Duty Commercial Operator**

CUSTOMER \_\_\_\_\_

PROJECT \_\_\_\_\_

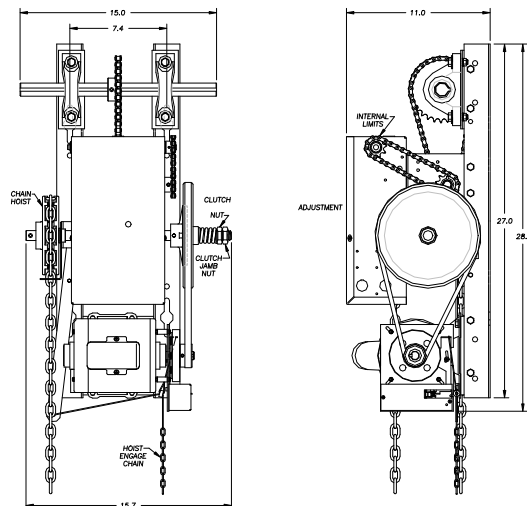
ARCHITECT/ENGINEER \_\_\_\_\_

CONTRACTOR \_\_\_\_\_

DRAWING NUMBER \_\_\_\_\_

DATE \_\_\_\_\_

SHEET OF \_\_\_\_\_

**ORDERING INFORMATION:**

SUPPLY \_\_\_\_\_ ALLSTAR OPERATOR(S) MODEL \_\_\_\_\_

WITH A MOTOR RATING OF \_\_\_\_\_ HP, \_\_\_\_\_ VOLTS, \_\_\_\_\_ PHASE, \_\_\_\_\_ HERTZ

FOR A \_\_\_\_\_ WIDE X \_\_\_\_\_ HIGH DOOR(S) WITH \_\_\_\_\_

SUPPLY \_\_\_\_\_ OPEN-CLOSE-STOP CONTROL STATION(S) IN NEMA \_\_\_\_\_ ENCLOSURE PER OPERATOR

\_\_\_\_\_ DRIVE SPROCKET \_\_\_\_\_ DOOR SPROCKET

AUXILIARY AND OPTIONAL EQUIPMENT AS SPECIFIED BELOW OR ON ATTACHED SHEET:

**ARCHITECTURAL SPECIFICATIONS (HOIST):**

Electric door operator(s) shall be model AUH of the jackshaft hoist type, manufactured by Linear LLC and Underwriters Laboratory (UL) listed. Horsepower, voltage and phase will be as required to properly operate the door. Operators will be equipped with two-stage speed reduction (V-belt primary and roller chain and sprocket secondary) and an adjustable slip clutch. A floor level disconnect device with chain hoist will be provided for mechanical disengagement to allow for manual door operation. An electrical interlock switch will cut power to the control circuit when in manual operation. The operator will be equipped with an integral limit system that provides accurate settings to control the open and close positions of the door and will not be affected by manual door operation or motor removal. The motor and operator will be protected against overload by a thermal protector and will be equipped with a solenoid operated brake with internal expanding 360 degree brake shoe. Each operator will have a 24VAC control circuit with a heavy duty, across the line, industrial type reversing contactor, with mechanical interlock, and will have provisions for connecting open-close-stop pushbutton stations, radio controls, and external obstruction sensing (reversing) systems. Operator will drive the door at a speed of approximately 11 inches per second.

**NOTES:**

REFER TO PRODUCT DATA SHEET FOR GENERAL INFORMATION

REFER TO DRAWING \_\_\_\_\_ FOR WIRING DIAGRAM

**LINEAR LLC**  
**1950 Camino Vida Roble Ste. 150**  
**Carlsbad, CA 92008**

**Phone 800-421-1587**  
**Fax 800-468-1340**  
**Website www.allstarcorp.com**

## AUXILIARY AND OPTIONAL EQUIPMENT

CUSTOMER

PROJECT

ARCHITECT/ENGINEER

CONTRACTOR

DRAWING NUMBER

DATE

SHEET

OF

**LINEAR LLC**  
1950 Camino Vida Roble Ste. 150  
Carlsbad, CA 92008

Phone 800-421-1587  
Fax 800-468-1340  
Website [www.allstarcorp.com](http://www.allstarcorp.com)

