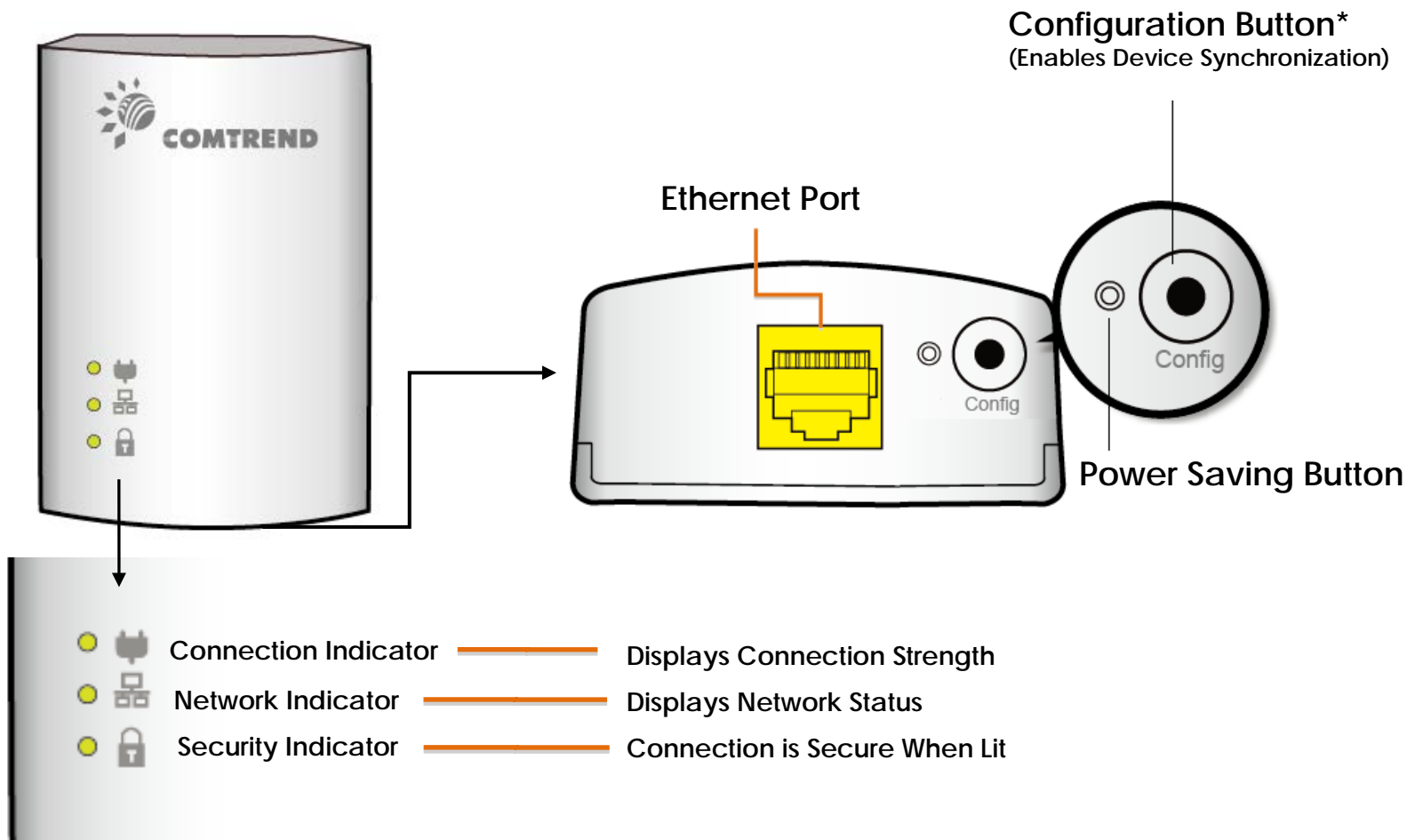


Quick Install Guide

PG-9172 Kit | G.hn Powerline Adapter Kit

*Press for 10 seconds for Factory Reset.

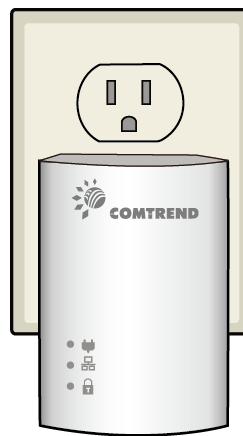
A Understanding the Powerline Adapter




B Initial Device Setup

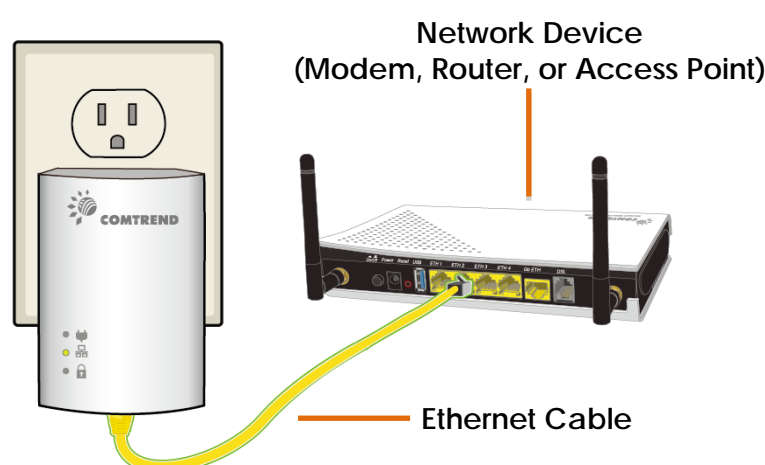
NOTE: A minimum of two G.hn Powerline Adapters are required to create a proper connection. Follow Steps 1-4 to add additional G.hn Adapters to your network.

1. Plug the Powerline Adapter into the power outlet.





Note: For maximum performance, please plug the Powerline Adapter directly into the wall outlet. Do not plug into a power strip or surge protector, as network performance could degrade significantly.

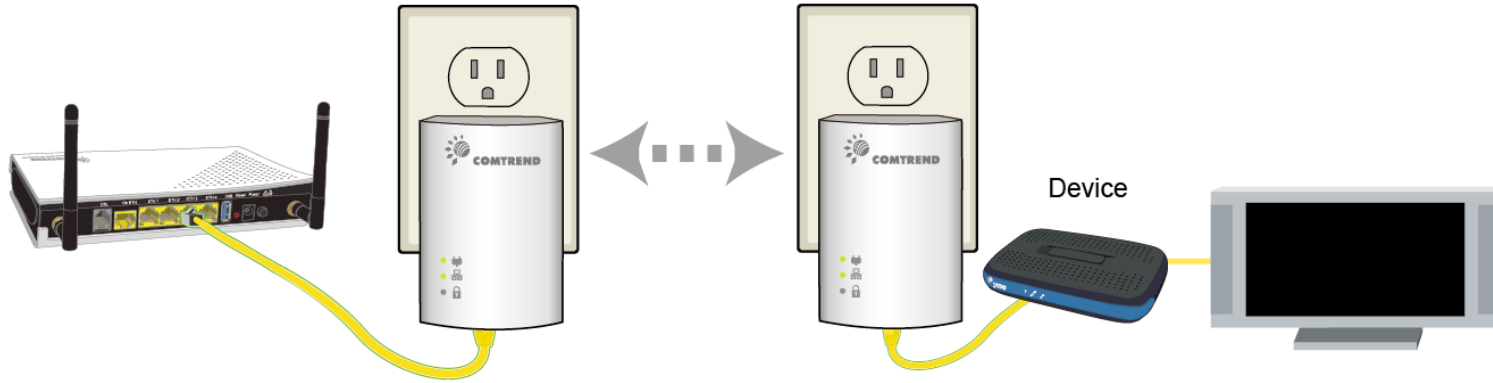
2. Connect the Powerline Adapter to a network device with an Ethernet (RJ-45) cable. (Wait 10 seconds for Network Indicator  to light up **GREEN** which indicates a good connection, a flashing **GREEN** light indicates that the device is sending data).



C

Device Connection




3. Plug the **additional** Powerline Adapter into a power outlet near the Internet-enabled device (ex. TV, PC, STB, DVR, etc.).
4. Connect the Powerline Adapter to the device with an Ethernet cable. (The **Connection Indicators**  and **Network Indicators**  on the front of both Powerline Adapters should be **GREEN** representing a strong connection).

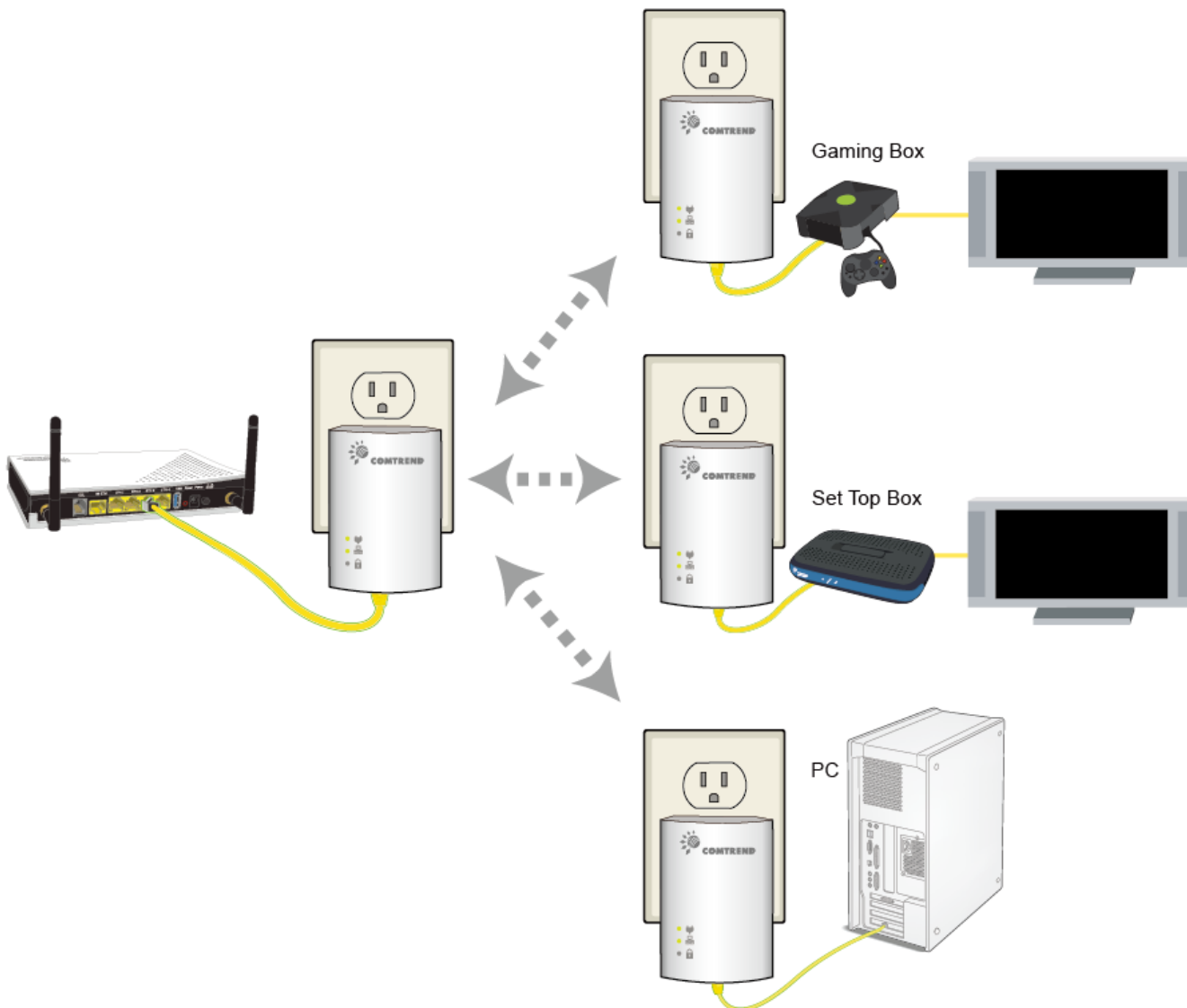


D

Security Setup

Note: G.hn Adapters will automatically connect in “non-secure” mode. It is highly recommended to follow Steps 5 and 6 to create a secure connection.

5. Press the “Config” Button for 3 seconds till you see the **Security Indicator**  start flashing **GREEN** on EACH of the Powerline Adapters you want to be “connected.” (The **Security Indicator**  will light up **GREEN** when successfully connected AND the **Connection Indicator**  on the front of the Powerline Adapter should be solid **GREEN** when they are paired ~ representing a strong connection).
6. Repeat Steps 3 to 5 to add additional adapters/devices. Please note that up to 16 devices can be connected to a Powerline G.hn Network.



E

Your device is now connected!

NOTE: For instructions on advanced features, FAQ, etc., please visit our online Product Webpage:

<http://us.comtrend.com/products/public/product/home-networking/pg-9172.html>



QR Code

For more information: Facebook: <https://facebook.com/Comtrend>
 Website: <http://us.comtrend.com/>
 Support: Visit our website or call 1-877-COMTREND
 (1-877-266-8736)