

DOOR•GARD®

CIRCUIT BOARD DIAGRAM

RELAYS:

P2 = K2 OUTPUT 2
P3 = K3 OUTPUT 3
P4 = K4 OUTPUT 4

RELAY CONNECTOR PINS

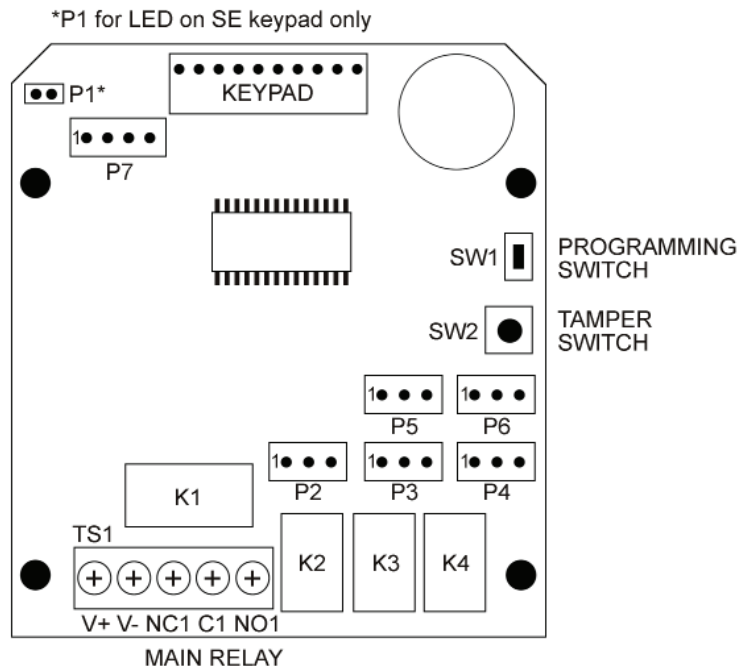
PIN 1 = NO (GREEN)
PIN 2 = C (BLUE)
PIN 3 = NC (GRAY)

REX/DOOR CONNECTION:

P5
PIN 1 = REX (BROWN)
PIN 2 = (WHITE - NOT USED)
PIN 3 = Loop Common (WHITE/ORANGE)

TAMPER CONNECTION:

P6
PIN 1 = TAMPER (GREEN)
PIN 2 = TAMPER (BLUE)
PIN 3 (NOT USED)



TECHNICAL NOTES

- To avoid ESD (Electro-Static Discharge) interfering with the operation of the keypad, ground the housing to earth ground.
- The bi-color LED provided with the SE keypad illuminates red when the Lock-Release relay is de-energized and green when the relay is de-energized.
- When mounting this unit outside, apply silicone to the area where the wires enter the case. This helps prevent water from entering the case and condensing on the circuit board. Do not silicone the cover plate because the unit will not seal properly.
- Do not seal the drain holes at the bottom of the keypad housing. This allows air to circulate and a place for condensation to drain.
- For use in extreme weather conditions, consult the factory for additional methods of protecting your keypad.
- To speed installation of the SE keypad, holes have been spotted on the inside the back housing for mounting to a wall or a single-gang electrical box.
- On SE keypad, holes have also been spotted inside the front housing for additional LEDs (LEDs not included).

LIMITED WARRANTY

This Nortek Security & Control product is warranted against defects in material and workmanship for twenty four (24) months. **This warranty extends only to wholesale customers** who buy direct from Nortek Security & Control or through Nortek Security & Control's normal distribution channels. Nortek Security & Control does not warrant this product to consumers. Consumers should inquire from their selling dealer as to the nature of the dealer's warranty, if any. **There are no obligations or liabilities on the part of Nortek Security & Control LLC for consequential damages arising out of or in connection with use or performance of this product or other indirect damages with**

6-062120 X2

212R & 212SE Keypad Wiring Diagrams & Specifications

Note: This product is designed to be installed and serviced by security and lock industry professionals.

SPECIFICATIONS

Case Dimensions:

212R Keypad: 3.75" W x 5.25" H x 2.50" D

212SE Keypad: 3.00" W x 4.50" H x 1.55" D

Operating Voltage: 12-24V AC/DC (Auto-Adjusting)

Maximum Current Draw	
Operating Voltage	Current
12 VDC	50 mA
24 VDC	63 mA
12 VAC	86 mA
24 VAC	108 mA

Main Relay Contacts (K1): 2A @ 12-24V AC/DC

Auxiliary Relay Contacts

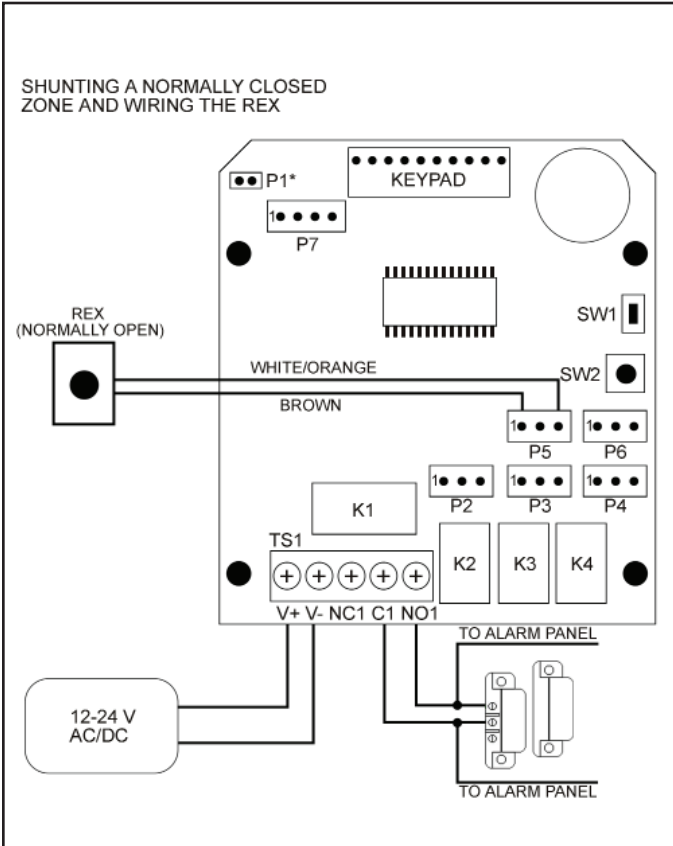
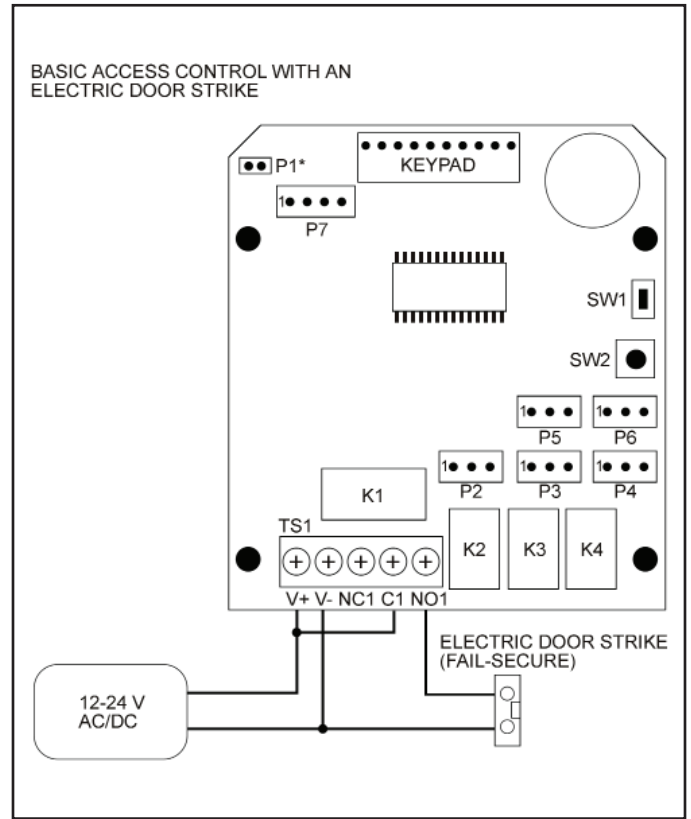
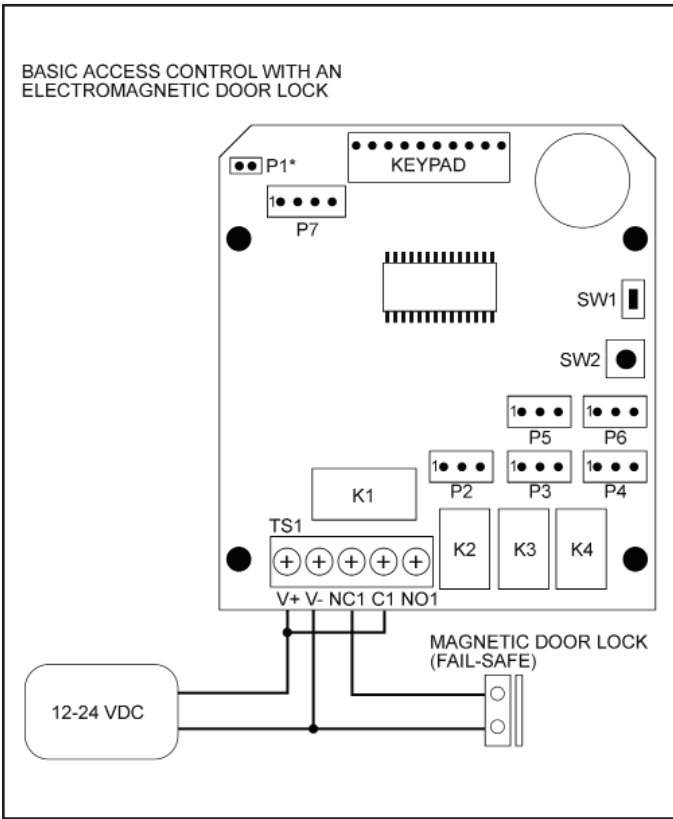
(K2, K3 & K4): 1A @ 12-24V AC/DC

Environment: Indoor or Outdoor

Temperature: -31°F to 151°F (-35°C to 66°C)

respect to loss of property, revenue, or profit, or cost of removal, installation, or reinstallation. All implied warranties, including implied warranties for merchantability and implied warranties for fitness, are valid only until the warranty expires. **This Nortek Security & Control LLC Warranty is in lieu of all other warranties express or implied.**

All products returned for warranty service require a Return Authorization Number (RA#). Contact Returns at 1-855-546-3351 for an RA# and other important details.



Important

A filtered and regulated DC power supply is recommended.

Technical Support

DEALERS/INSTALLERS ONLY! End users must contact the dealer/installer for support. If the keypad still does not work after troubleshooting, please call the Technical Services department at 1-800-421-1587.



SECURITY & CONTROL

USA & Canada (800) 421-1587 & (800) 392-0123

(760) 438-7000 - Toll Free FAX (800) 468-1340

www.nortekcontrol.com