

# 232MP

Self Contained Access Control

## Specifications

Case Dimensions: 2.75" X 4.50" X 1.50"

Temperature Tolerance: -20F to 130F

Voltage Requirements: 12-24 Volts AC/DC

Current Draw:

@ 12VDC 15mA typical

@ 12VDC 36mA with Main Relay Energized

@ 12VDC 35mA typical with backlight on

@ 12VDC 100mA Maximum

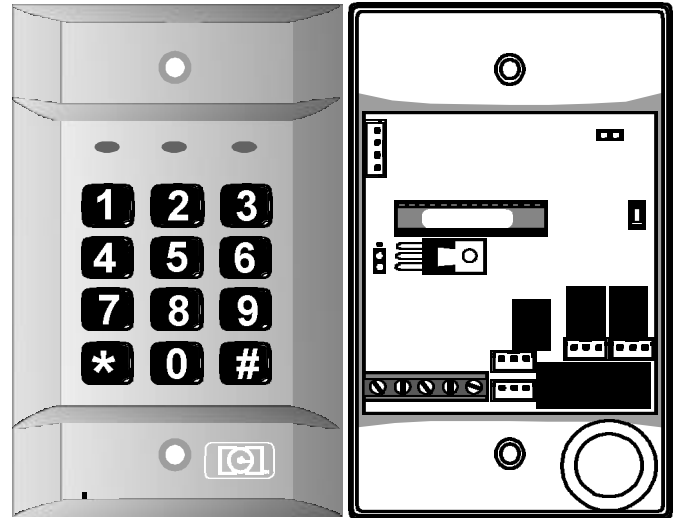
@ 24VDC 25mA typical

@ 24VDC 38mA with Main Relay Energized

@ 24VDC 80mA typical with backlight on

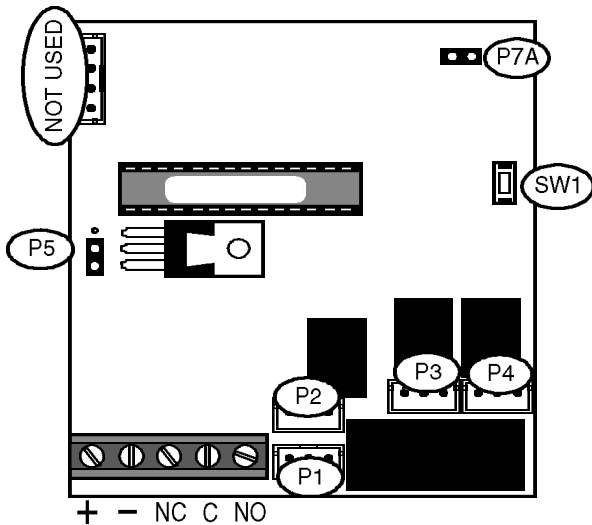
@ 24VDC 150 mA Maximum

## Faceplate



Front View

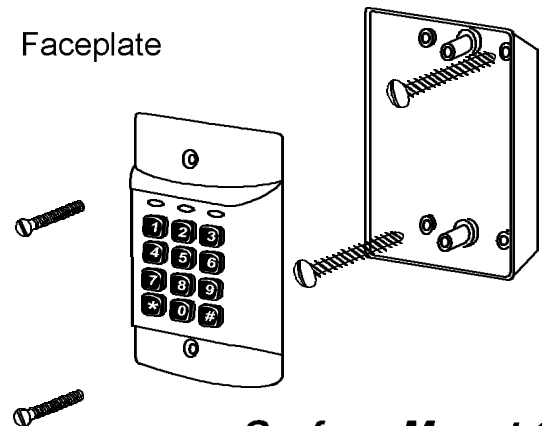
Back View



- (SW1) Programming Switch
- (P1) Remote Triggering Input Loop (*normally open*)
- (P2) Alarm Shunt Output (*form "C" dry-contact relay*)
- (P3) Forced Door Alarm (*form "C" dry-contact relay*)
- (P4) Door Ajar Alarm (*form "C" dry-contact relay*)
- (P5) Voltage Selection Jumper
- (P7A)

## Backplate

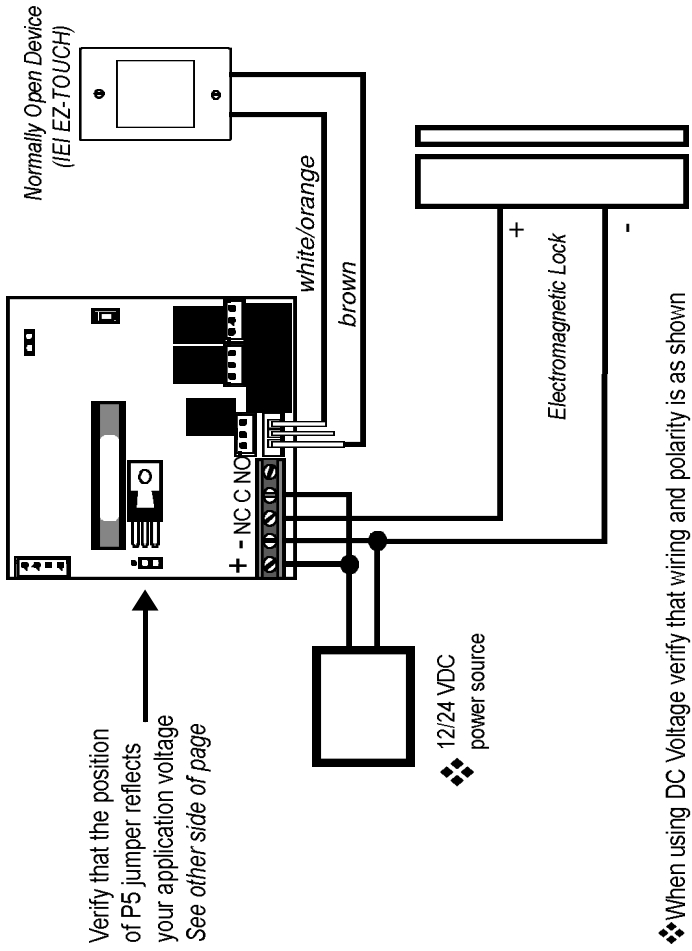
## Faceplate



**Surface Mount Only**

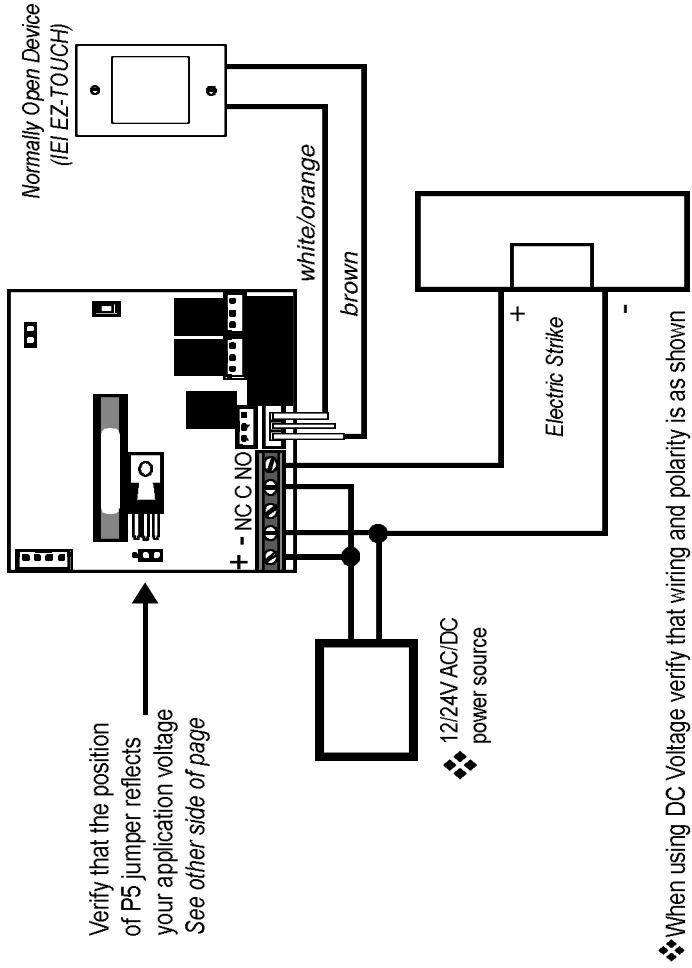
(P5) Voltage Settings		(P7A) Backlight Settings	
Position 1	Position 2	Position 1	Position 2
12-15VDC	16-24VDC 12-24VAC	Keys will light brightly after any keypress and dim after 10 SECONDS from last keypress	Backlighting OFF at all times

## Basic Access Control Using Electromagnetic Lock



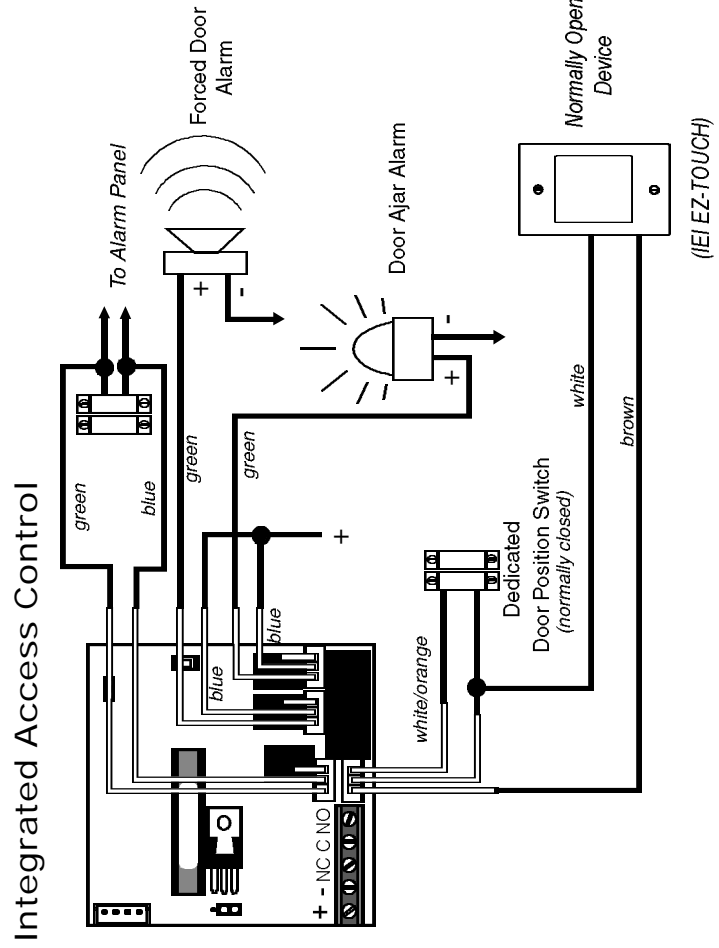
❖ When using DC Voltage verify that wiring and polarity is as shown

## Basic Access Control Using Electric Door Strike



❖ When using DC Voltage verify that wiring and polarity is as shown

## Integrated Access Control



## Installation Notes:

**232MP is a surface-mount component. Do not attempt to flush mount unit.**

When installing in an outdoor or non-environment controlled area be sure;

1. **Silicon the heads of the backplate mounting screws.**
2. **Silicon where the wiring comes through the backplate.**

The 232MP is designed to operate on 12-24 volts AC or DC.

AC Voltage is subject to transient effects such as surges, drops, ripple and noise.

*IEI Tech Support recommends the use of Filtered and regulated DC power supplies designed to provide a clean and level voltage at all times.*

## Contents of Hardware Pack

- 2 Machine Screws
- 2 Sheet Metal Screws
- 2 Wood Screws
- 2 Moly Anchors
- 2 Hex Nuts

## Wire Harnesses

- 3 Green, Blue, Gray for alarm outputs
- 1 Brown, White, White/Orange for Door Position and REX inputs

