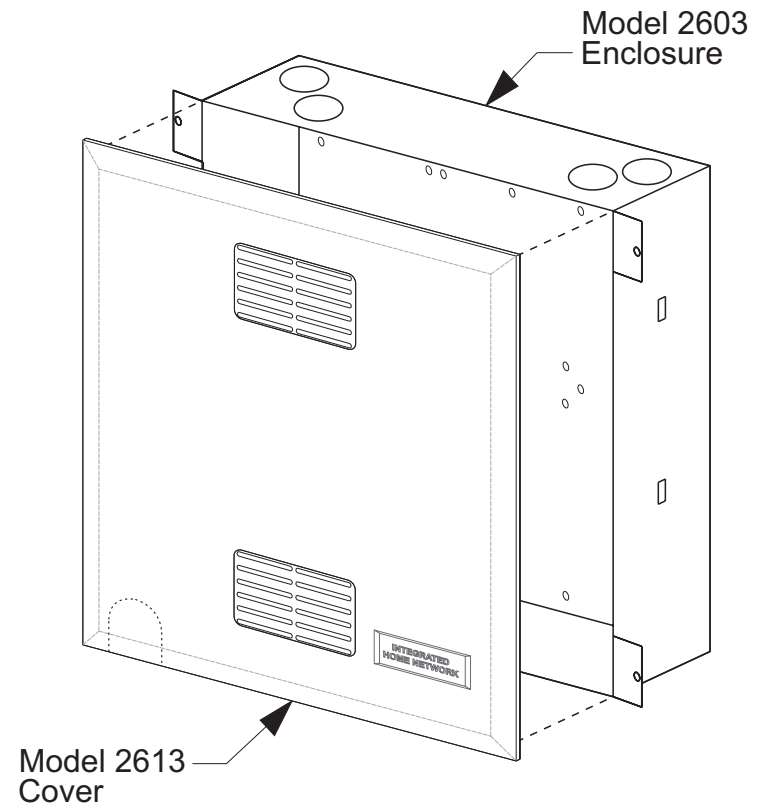


Channel **PLUS**®

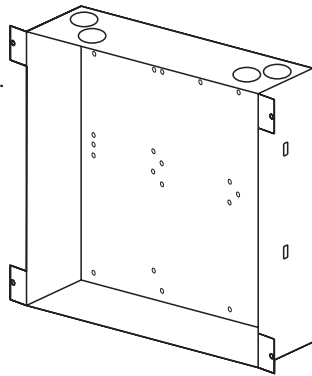
PERFORMANCE MULTI-ROOM VIDEO

Manual - 2603 In-wall Enclosure & 2613 Cover



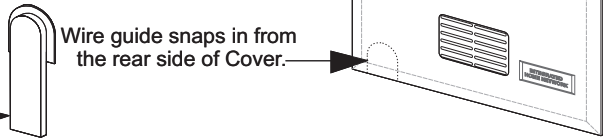
2603 Enclosure Description

- Mounts inside standard stud wall.
- Contains a wide variety of ChannelPlus distribution products.
- Mounting ears snap off for retro-fit installations.
- Rugged powder paint finish.
- Eight knock-out conduit ports.
- "Clean" interior allows mounting without a cover.



2613 Cover

- Unobtrusive flush cover for Model 2603.
- Ventilation ports.
- Unique wire-guide to bring wires in from the front.
- Model 2603 includes Model 26XX mounting hardware kit.

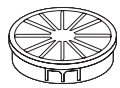


WIRE GUIDE

Wire guide snaps in from the rear side of Cover.

2610 Mounting hardware and wire management kit.

- Snap in fasteners and wire guides for Model 2603.
- Included with 2613 front cover.



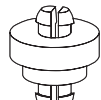
Bushing



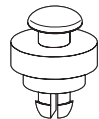
Push Clips (Small)



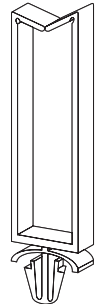
Push Clips (Large)



PCB Mount

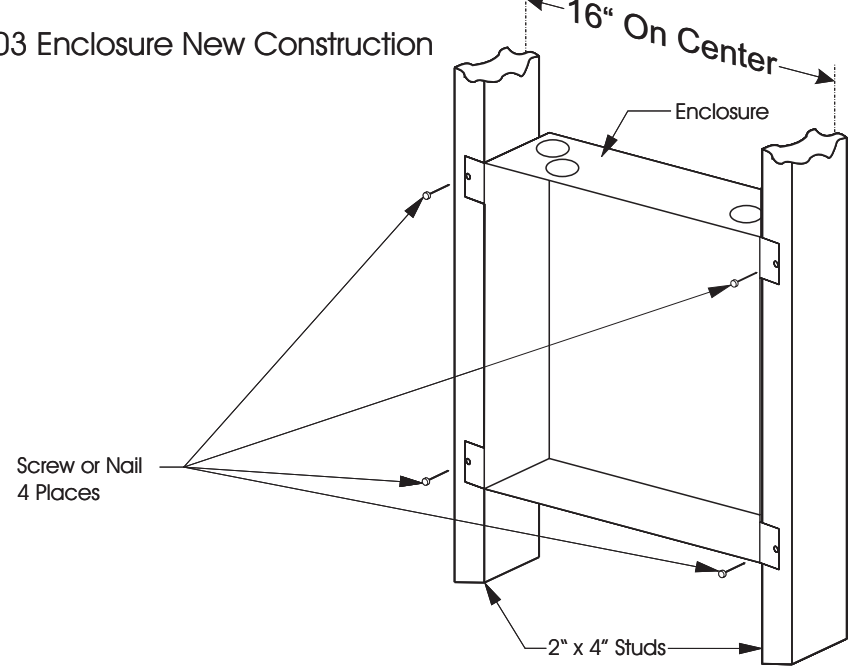


Keyhole Hangar

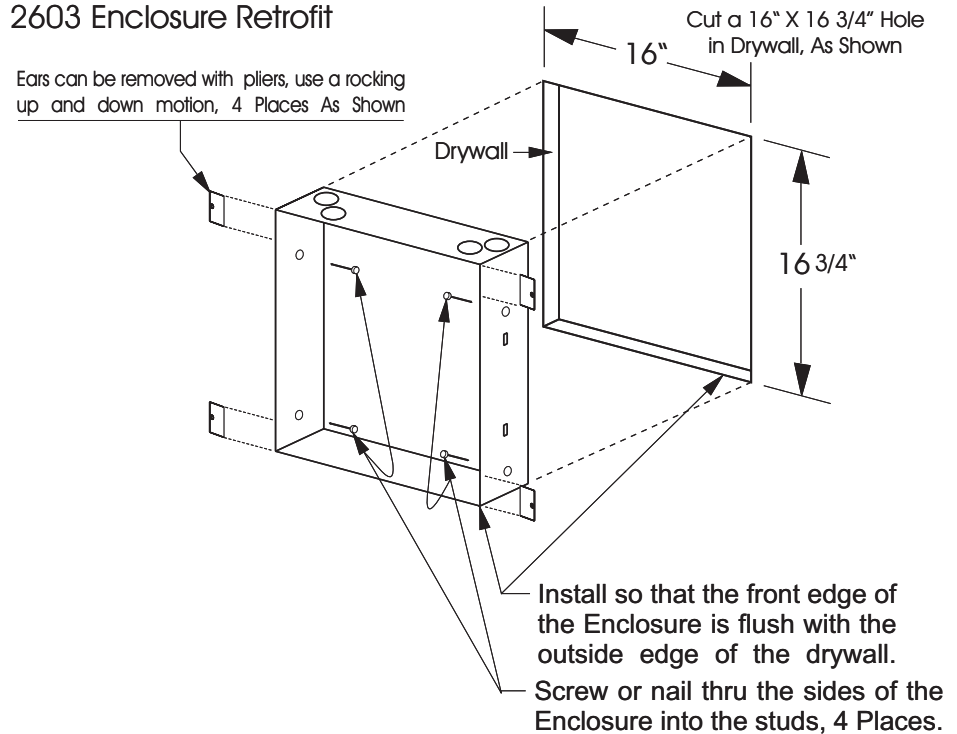


Cable Guide

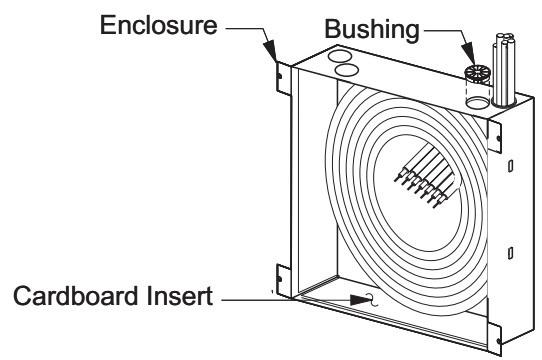
2603 Enclosure New Construction



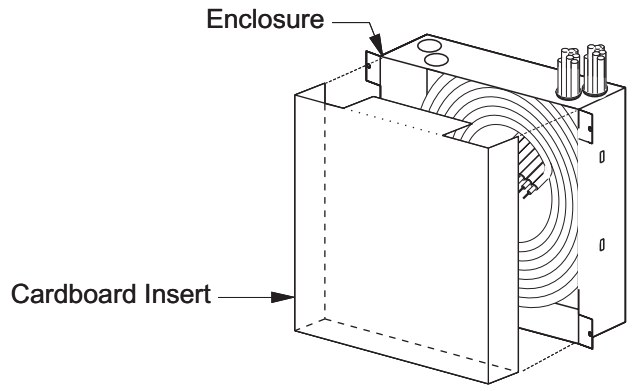
2603 Enclosure Retrofit



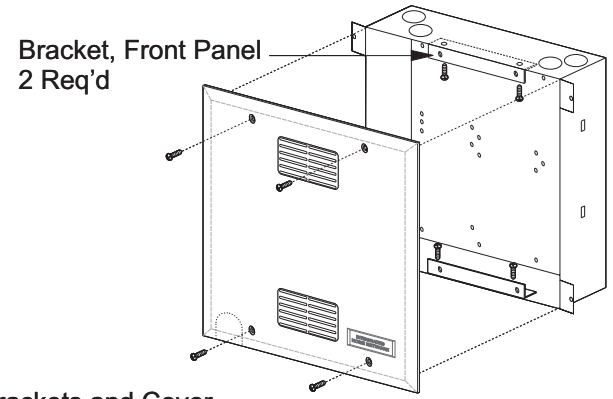
2603 Enclosure Cabling



Install "Bushings" and route cabling into Enclosure, as shown.

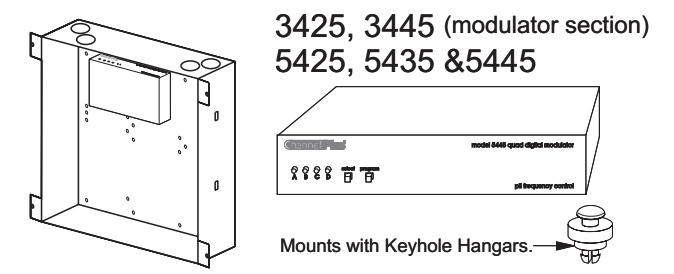
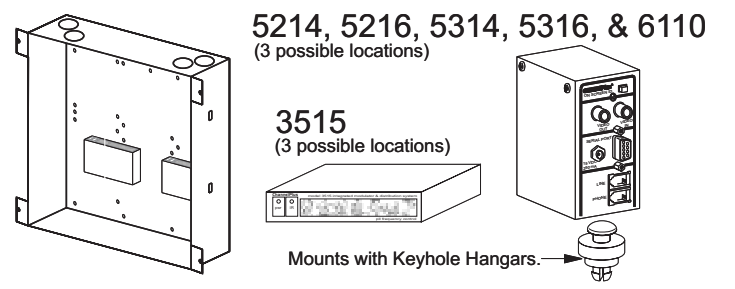
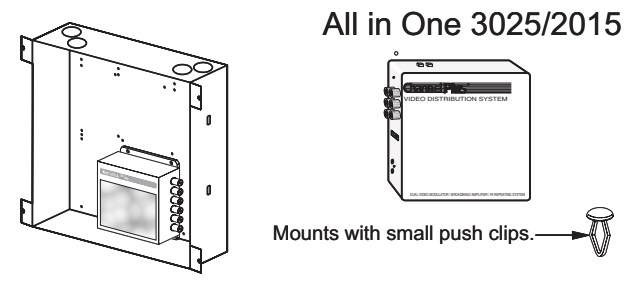
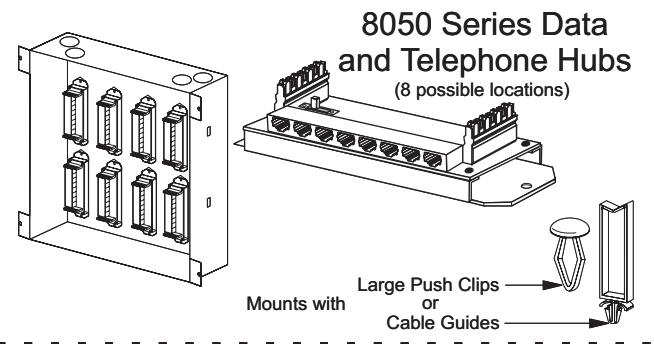


After cabling is routed, reverse cardboard insert and return it to the Enclosure to protect cabling, as shown.

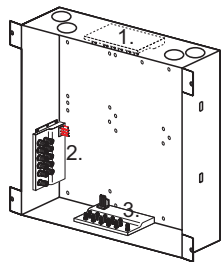


Install Front Panel Brackets and Cover.

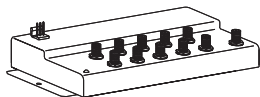
What fits in a 2603 Enclosure?



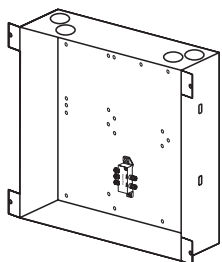
What fits in a model 2603 Enclosure? Continued



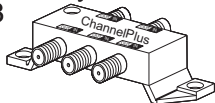
Coax Panels 3308/8200 (3 possible locations)



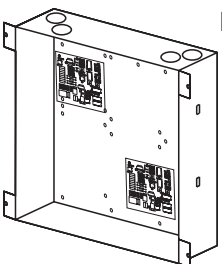
Mounts with small push clips.



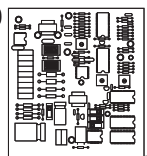
Splitters, 2, 4, & 8 way 2512, 2514, 2532, 2534, & 2538



Mounts with small push clips.



DoorTel 8400, 8410 (2 possible locations)



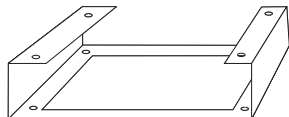
Mounts with PCB mounts.



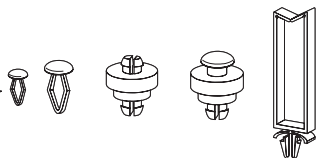
Accessories

2615 Spacemaker

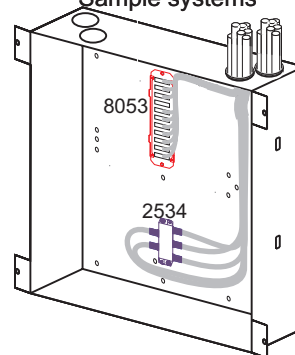
Creates two extra data hub locations above the surface of the 2603 enclosure. A good way to hold a network hub.



2610 mounting hardware kit (included with 2613 cover)



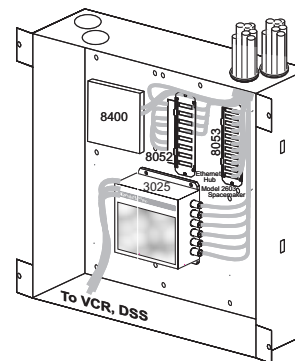
Sample systems



Small Basic System

Even simple systems are cost effective.

Distribution for 9 telephones (8053)
CATV for 4 TVs (2534)



Small basic system - Upgraded

A system for modern homes

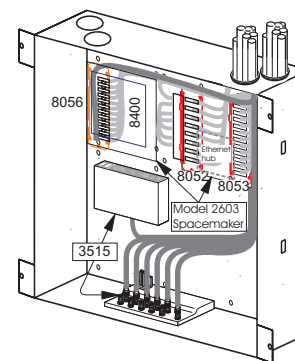
CATV or antenna for 5 TVs (3025)
Distributes VCR and DSS
IR control from all TVs

DoorTel front door intercom (8400)

Services for 9 telephones (8053)

8 Cat-5 connections (8052)

(In this case, a home data network for 4 rooms, and a high speed data line for Internet access: ISDN or T-1)



The 2603 can also handle elaborate systems.

CATV or antenna for 8 TVs (3515).

Modulator for front door camera.
Distributes VCR, DSS, DVD, LV
from modulator input.
IR controls from all TVs.

Service for 9 telephones (8053).

8 Cat-5 connections (8052).

(In this case, a home data network for 7 rooms, and a high speed data line for internet access: ISDN or T-1).

In-wall speaker connections and DSS dish connections (8056).

Warranty

Multiplex Technology, Inc. warrants this product to be free from defects in materials and workmanship for a period of one year from the date of purchase or MTI will repair, or at its option, replace the defective product. To obtain warranty service, call MTI for a return material authorization (RMA) number and return the product prepaid

Attention: Customer Service. Please put the RMA number on the outside of the carton.

Any implied warranty arising from the sale of the product including implied warranties of merchantability and fitness for purpose are limited to the warranty stated above. MTI shall not be responsible for losses or damages or expenses, whether direct, consequential or incidental arising from the use of or the inability to use this product. Some states do not allow limitations on how long the implied warranty lasts or the exclusion or limitation or incidental or consequential damages, so the above limitations and exclusions may not apply to you. This warranty gives you specific legal rights, and you may have other rights which may vary from state to state.