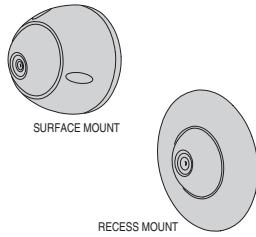




7441 CAMERA MOUNTING KIT



For Use with the
Model 7440 CCTV Camera

Linear LLC

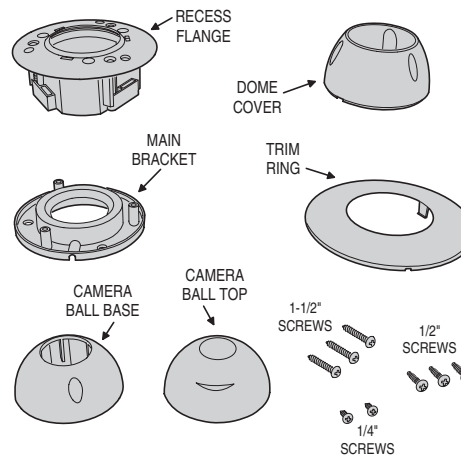
2055 Corte Del Nogal, Carlsbad, CA 92009, USA
760-438-7000 800-999-5225 fax: 760-931-1340
www.channelplus.com

PRODUCT DESCRIPTION

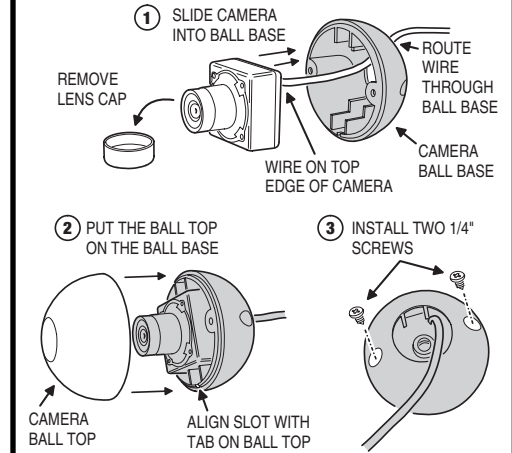
The Model 7441 Camera Mounting Kit is designed for use with the Model 7440 Color CCTV Camera. The kit enhances the installation options for the camera. Available in white (Model 7441W) and black (Model 7441B), the kit features two mounting options for discrete, attractive CCTV camera installation.

The camera can be installed recessed in a wall or surface mounted depending on the application. Installations that require stealthy, low-profile mounting should use the recessed mounting option. The surface mounting option works well in retrofit installations and other mounting applications.

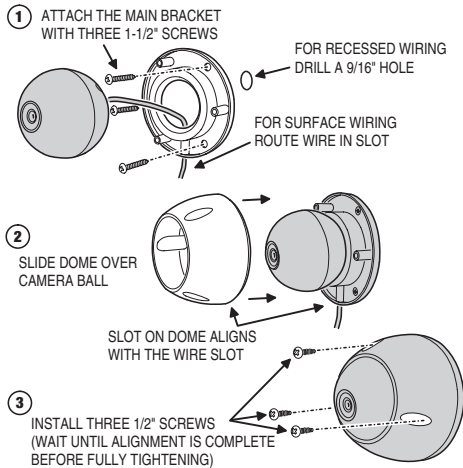
CAMERA MOUNTING KIT COMPONENTS



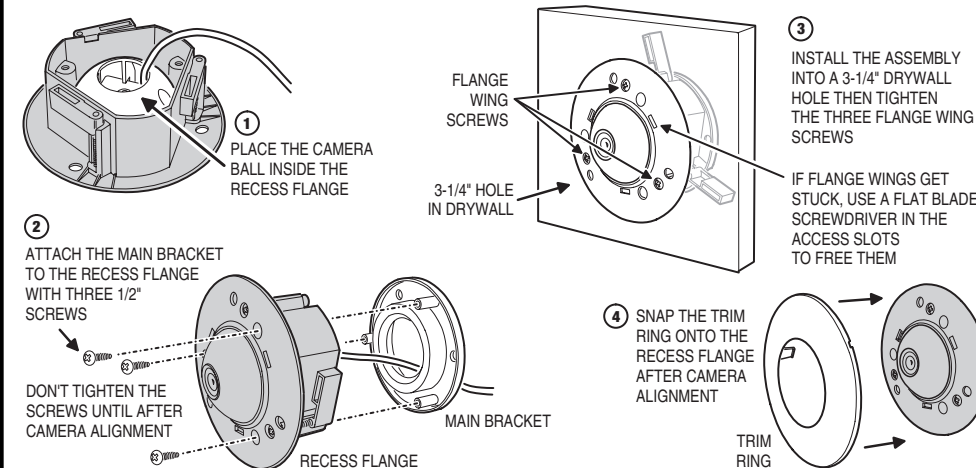
INSTALL THE CAMERA IN THE BALL



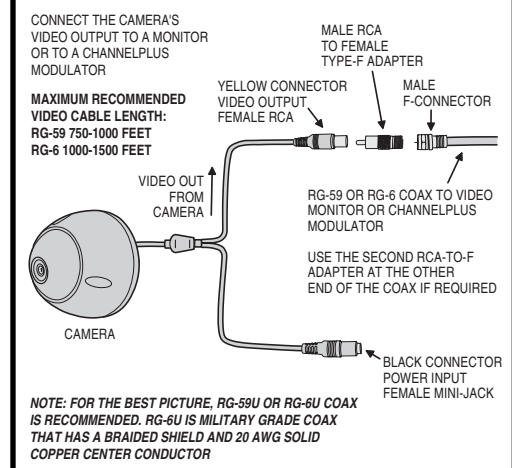
SURFACE MOUNTING



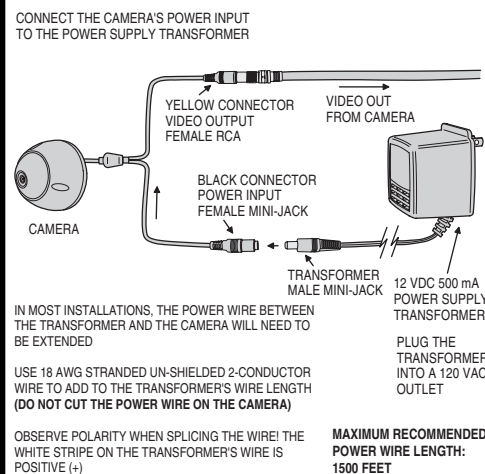
RECESSED MOUNTING



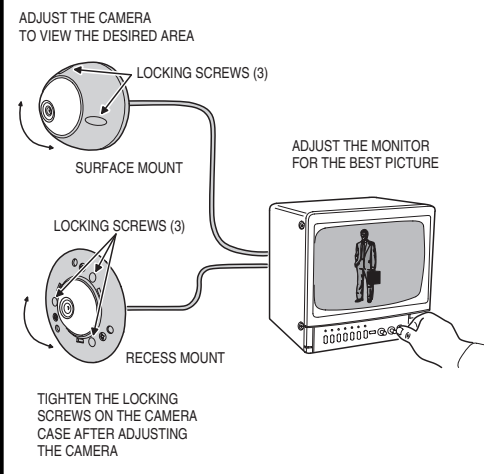
VIDEO CONNECTION



POWER CONNECTION



ALIGNMENT & TESTING



SPECIFICATIONS

IMAGING ELEMENT: CCD
LENS: 2.1 mm, f 2.0
LUX: 0.5 minimum
RESOLUTION: 380 TV Lines
HORIZONTAL VIEWING ANGLE: 120°
VERTICAL VIEWING ANGLE: 100°
VIDEO OUTPUT: 1 volt peak-to-peak
VIDEO OUTPUT IMPEDANCE: 75Ω
POWER REQUIREMENTS: 12 VDC @ 90 mA
(Power supply included)
WIRING REQUIREMENTS: VIDEO: RG-59 or RG-6 (RG-6U recommended)
POWER: 18 AWG 2-conductor

LINEAR LIMITED WARRANTY

Linear LLC warrants this product to be free from defects in material and workmanship for 1 year. The time period will be measured using the date code labeled on the product. Linear LLC is not responsible for damage to the product resulting from the buyer's improper handling, stocking or warehousing of the product. Any implied warranty arising from the sale of the product including implied warranties of merchantability and fitness for purpose are limited. Linear LLC shall not be responsible for any losses, damages or expenses, whether direct, consequential, or incidental arising from the use or the inability to use the product. Some states and countries do not allow limitations on how long an implied warranty lasts or the exclusion or limitation of incidental or consequential damages, so the above exclusions may not apply. The Linear LLC warranty gives specific legal rights in addition to other rights, which may exist and vary from state to state and country to country. The warranty is limited to repair or replacement of products returned, freight prepaid, to Linear LLC, there is NO PROVISION FOR LABOR COST OR OTHER REIMBURSEMENTS OF ANY KIND.
1. Failures due to product abuse, such as negligence, improper use, and electrical surge including damage from lightning, water damage or other damage due to natural disasters are not covered by the warranty. The most common form of product abuse is surge damage caused by lightning.
2. The warranty shall also be voided by any tampering with the date code, labels or other markings on the product.
3. Products that are damaged in transit to Linear LLC due to improper packaging or by the carrier (shipping company) will not be covered under the warranty. If the product was damaged or lost by the carrier, it is the sender's responsibility to create a claim against the carrier.
4. The user is responsible for all labor costs associated with removing, reinstalling and returning the product to Linear LLC.
Linear LLC, at its option, will repair or replace the defective product. Replacements will be made from B-Stock, if an exact replacement is not available. Linear LLC, at its option, will select the nearest equivalent product. The user is responsible for freight charges to Linear LLC. Linear LLC will return warranted repaired or replacements by UPS Ground or an equivalent service. A customer may pay the additional costs for second-day or next-day service. All products returned for warranty service require a Return Product Authorization Number (RPA#). Contact Linear Technical Services at 1-800-999-5225 for an RPA# and other important details.