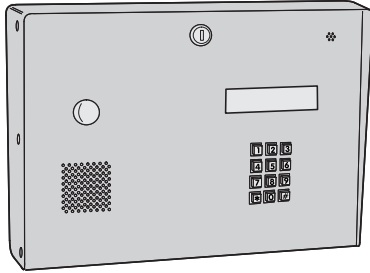


Linear ACCESS

AE-1

Telephone Entry Control Console

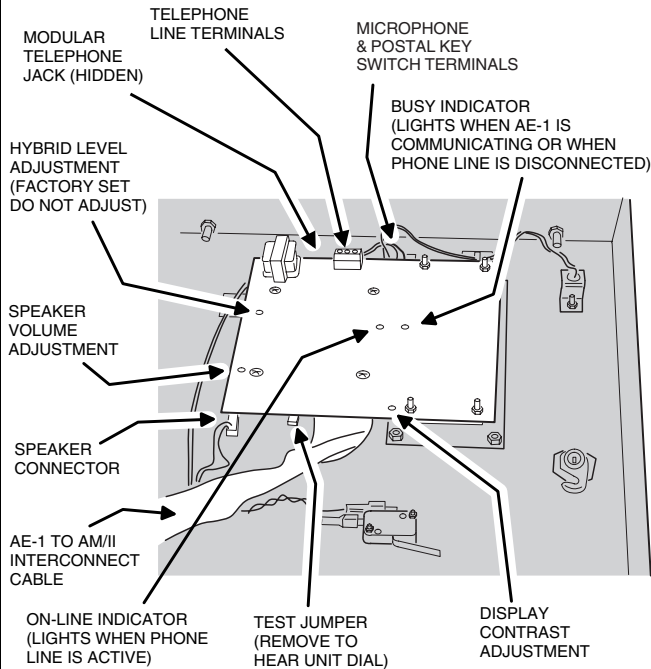


Mechanical & Electrical Installation Instructions

Linear

(760) 438-7000 • FAX (760) 438-7043
USA & Canada (800) 421-1587 & (800) 392-0123
Toll Free FAX (800) 468-1340
www.linearcorp.com

2. AE-1 COMPONENT LOCATIONS



INTRODUCTION

The Model AE-1 Telephone Entry Control Console is designed for use as a primary access control device for gated communities, parking garages, office buildings, apartments, dormitories, hotels/motels, commercial buildings and recreational facilities.

This unit is a fusion of Linear's full-featured Model AM/II Access Control System and the Model AE-1 Telephone Entry Module. Housed in a locked, rugged stainless steel enclosure, the AE-1 features a 12-key telephone style keypad, a backlit two-line directory display, and a built-in microphone and speaker.

All of the outstanding AM/II access control system functions are available with the AE-1 in addition to hands-free, full duplex telephone communications with tenants or authorized personnel for granting access. Entry codes can also be typed directly on the keypad.

In a typical installation, the unit's memory would be programmed with each tenant's name and directory code number. A visitor would use the * or # key on the AE-1 to view the directory names and code number for the desired party. Upon entering the directory number, the AE-1 will automatically dial the tenant's telephone number and establish two-way voice communication between the visitor and the tenant. The tenant will then have the option to grant access to the guest by pressing a digit on their telephone.

In addition to the telephone entry, the AE-1 can grant access using various remote devices that are commonly used with the AM/II. These devices include wireless transmitters, proximity receivers, swipe card readers and remote keypads.

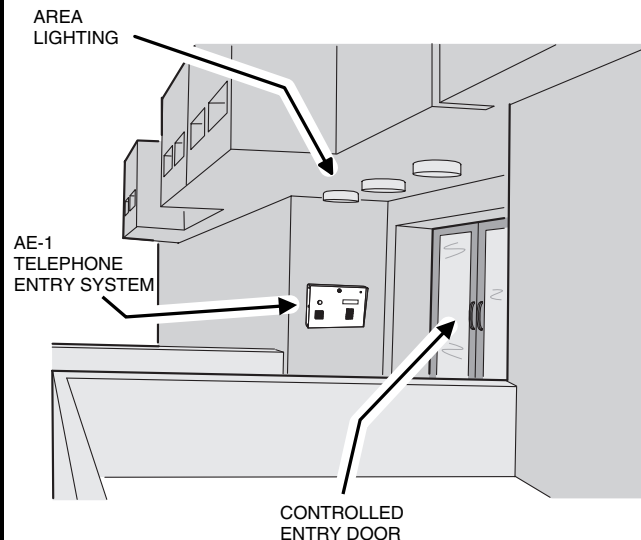
The output relays can be programmed to control electric door strikes, door & gate operators, barrier gates. CCTV cameras can also be triggered by the output relays to monitor the entry areas.

All of the programming functions of the AE-1 can be performed directly through the unit's keypad. An optional telephone modem can be installed for easy remote programming with a personal computer.

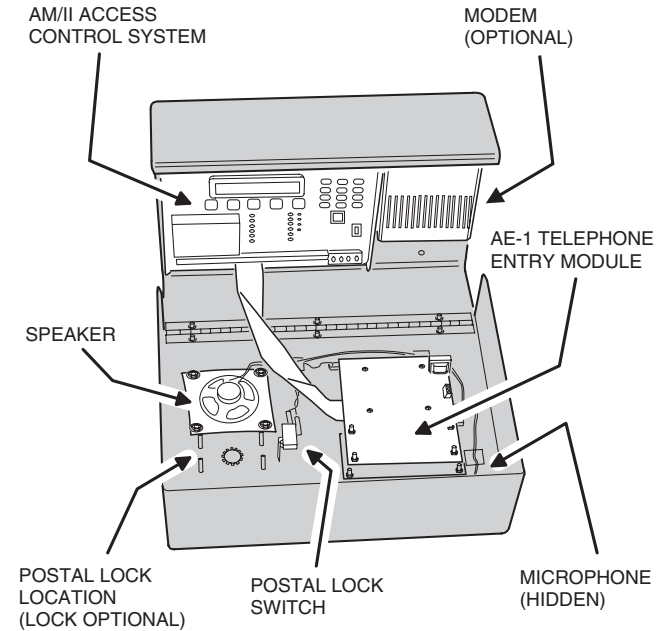
The AE-1 cabinet has provisions for installing a postal lock for keyed mail carrier access. The postal lock can be programmed to activate any of the four output relays.

3. DETERMINE MOUNTING LOCATION

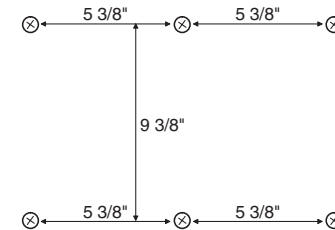
THE AE-1 SHOULD BE MOUNTED IN A WELL LIT LOCATION NEAR THE CONTROLLED OPENING. WIRING ACCESS FOR POWER, TELEPHONE, EARTH GROUND, CONTROL OUTPUT AND ANTENNA CO-AX MUST BE AVAILABLE BEHIND THE MOUNTING LOCATION.



1. SYSTEM COMPONENT LOCATIONS

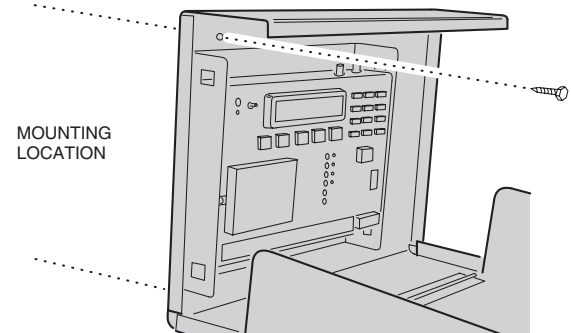


4. MOUNT CABINET



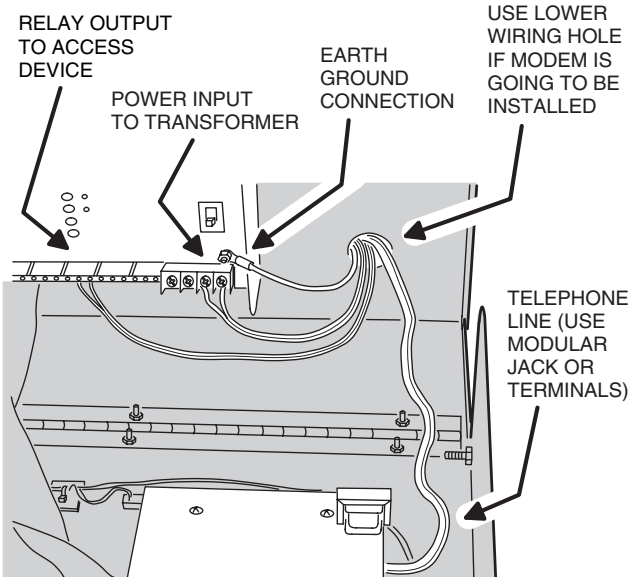
MOUNT CABINET WITH SUITABLE HARDWARE FOR MOUNTING SURFACE.

USE TOGGLE BOLTS FOR STUCCO WALL, WEDGE ANCHORS OR EXPANSION BOLTS FOR CONCRETE WALL, LAG SCREWS FOR WOOD WALL.

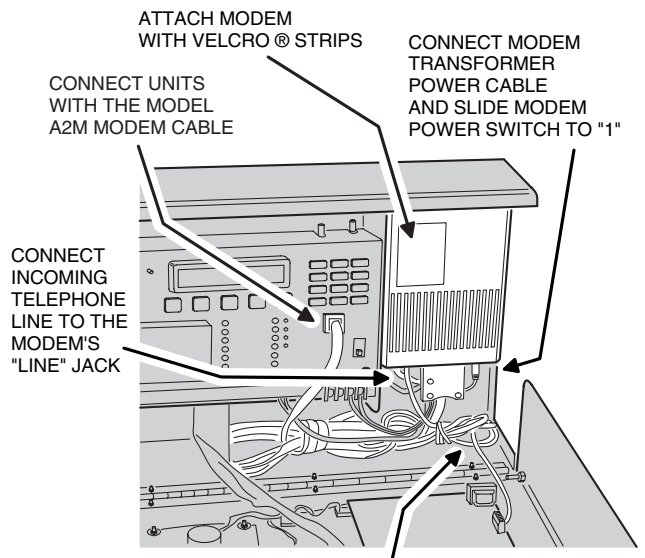


5. CONNECT WIRING

REFER TO THE AM/II INSTALLATION & PROGRAMMING INSTRUCTIONS FOR DETAILS ON WIRING POWER, EARTH GROUND, REMOTE DEVICES, ANTENNA, CONTROL INPUTS AND RELAY OUTPUTS TO THE AM/II

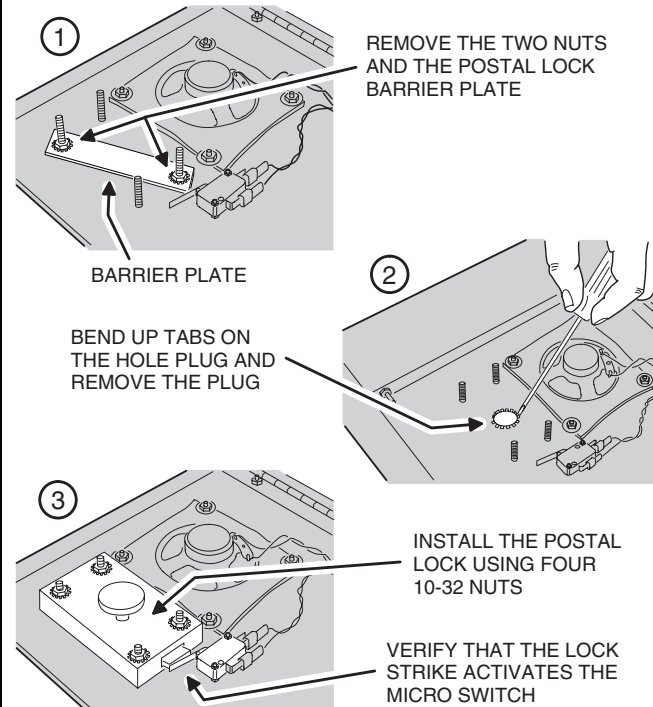


6. OPTIONAL MODEM INSTALLATION



NOTE: SEPARATE PHONE LINES ARE RECOMMENDED FOR THE MODEM AND AE-1. ONE PHONE LINE CAN BE USED AS SHOWN ALTHOUGH THE ENTRY SYSTEM IS UNAVAILABLE WHILE MODEM IS ON-LINE.

7. OPTIONAL POSTAL LOCK INSTALLATION



8. PROGRAM SYSTEM

INSTALLERS OF AE-1 SYSTEMS SHOULD FAMILIARIZE THEMSELVES WITH THE AM/II SYSTEM BY READING THE ENTIRE AM/II INSTALLATION & PROGRAMMING INSTRUCTIONS. PROGRAM AREAS SPECIFIC TO THE AE-1 ARE AREAS 07 & 27. AREA 21 HAS TWO OPTIONS FOR THE AE-1. PROGRAMMING WITH A PERSONAL COMPUTER IS RECOMMENDED, ESPECIALLY FOR ENTERING THE TENANT NAMES.

AREA 07 TELEPHONE ENTRY NUMBERS

Enter Directory Code	7.1
Directory Code: 0000	
Enter Tenant Name	7.2
Enter Telephone Number	7.3
Telephone: *****	
Extended Task Time	7.4
Yes/No	
Delete Directory Entry	7.5
Directory Code: 0000	

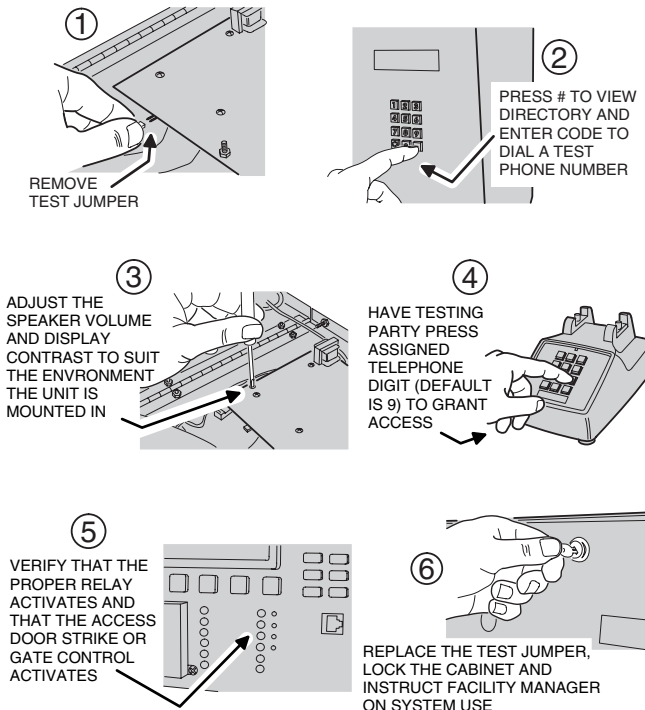
AREA 21 RELAY SETUP

Which Relay to Program	21.1
CHxA CHxB CHxC CHxD	
Select Operation:	21.2
Control Shunt Alarm Obstacle CCTV	
Select Timing Mode:	21.3
Time Pulse Toggle Latch	
Enter Activation Time:	21.4
Time in seconds: 0000	
Assign Time Zone [1]:	21.5
0 1 2 3 4 5 6 7 8 9 10 11 12 13 14 15	
Assign Time Zone [2]:	21.6
0 1 2 3 4 5 6 7 8 9 10 11 12 13 14 15	
Assign Time Zone [3]:	21.7
0 1 2 3 4 5 6 7 8 9 10 11 12 13 14 15	
Assign Time Zone [4]:	21.8
0 1 2 3 4 5 6 7 8 9 10 11 12 13 14 15	
Enter Channel Name	21.9
Assign Telephone Digit	21.10
None 1 2 3 4 5 6 7 8 9	
Channel Control	21.11
Normal Activate LockOpen LockClosed	

AREA 27 TELEPHONE ENTRY SETUP

Directory Code Length	27.1
1 2 3 4	
Directory Begins At	27.2
Beginning(M) Middle(M)	
PBX Dialing Digit	27.3
Off 9 8 7 6 5 4 3 2 1 0	
Sat Talk Time	27.4
Talk Time Seconds: 060	
Assign Postal Key Code	27.5
CHxA CHxB CHxC CHxD	
Sort Directory Names	27.6
Yes/No	
Edit Display Messages	27.7
Message Number: 00	
Edit Display Message	27.8
Max Directory Entries	27.9
Maximum Entries: 0000	
Delete All Tph. Entries	27.10
Yes/No	
Adjust Hybrid Level	27.11
Press OK To Start/Stop	
Display Brightness	27.12
Dim Low Med High	
Priority Access	27.13
ABCD 0 = No 1 = Yes 0000	

9. ADJUST SPEAKER VOLUME & TESTING



LINEAR LIMITED WARRANTY

This Linear product is warranted against defects in material and workmanship for twelve (12) months. The Warranty Expiration Date is labeled on the product. **This warranty extends only to wholesale customers** who buy direct from Linear or through Linear's normal distribution channels. **Linear does not warrant this product to consumers.** Consumers should inquire from their selling dealer as to the nature of the dealer's warranty, if any. **There are no obligations or liabilities on the part of Linear Corporation for consequential damages arising out of or in connection with use or performance of this product or other indirect damages with respect to loss of property, revenue, or profit, or cost of removal, installation, or reinstallation.** All implied warranties, including implied warranties for merchantability and implied warranties for fitness, are valid only until Warranty Expiration Date as labeled on the product. **This Linear Corporation Warranty is in lieu of all other warranties express or implied.**

All products returned for warranty service require a Return Product Authorization Number (RPA#). Contact Linear Technical Services at 1-800-421-1587 for an RPA# and other important details.

IMPORTANT !!!

Linear radio controls provide a reliable communications link and fill an important need in portable wireless signaling. However, there are some limitations which must be observed.

- * For U.S. installations only: The radios are required to comply with FCC Rules and Regulations as Part 15 devices. As such, they have limited transmitter power and therefore limited range.
- * A receiver cannot respond to more than one transmitted signal at a time and may be blocked by radio signals that occur on or near their operating frequencies, regardless of code settings.
- * Changes or modifications to the device may void FCC compliance.
- * Infrequently used radio links should be tested regularly to protect against undetected interference or fault.
- * A general knowledge of radio and its vagaries should be gained prior to acting as a wholesale distributor or dealer, and these facts should be communicated to the ultimate users.