

SAFETY PRECAUTIONS



CAUTION
RISK OF ELECTRIC SHOCK. DO NOT OPEN!



CAUTION: TO REDUCE THE RISK OF ELECTRICAL SHOCK, DO NOT OPEN COVERS. NO USER SERVICE-ABLE PARTS INSIDE. REFER SERVICING TO QUALIFIED SERVICE PERSONNEL.

This label may appear on the bottom of the unit due to space limitations.



The lightning flash with an arrowhead symbol within an equilateral triangle is intended to alert the user to the presence of uninsulated "dangerous voltage" within the product's enclosure that may be of sufficient magnitude to constitute a risk of electric shock to persons.



The exclamation point within an equilateral triangle is intended to alert the user to presence of important operating and maintenance (servicing) instructions in the literature accompanying the appliance.

WARNING: TO PREVENT FIRE OR SHOCK HAZARD, DO NOT EXPOSE UNITS TO RAIN OR MOISTURE.



Attention: Installation should be performed by qualified service personnel only in accordance with the National Electrical Code or applicable local codes.

24 VAC Units: Do Not Exceed 30 VAC Input. Voltage applied to the unit's power input should not exceed 30VAC. Normal input voltage is 24 VAC. User supplied wiring from 24 VAC supply to unit must be in compliance with electrical codes (Class 2 power levels). Do not ground 24 VAC supply at power supply terminals or at unit's power supply terminals.

SECURITE



ATTENTION

RISQUE D'ÉLECTROCUTION.
NE PAS OUVRIR



DANGER: POUR ÉVITER TOUT RISQUE D'ÉLECTROCUTION, NE PAS OUVRIR LE BOÎTIER. IL N'Y A PAS DE PIÈCES REMPLAÇABLES À L'INTÉRIEUR. POUR TOUTE RÉVISION, S'ADRESSER À UN TECHNICIEN SPÉCIALISÉ.

En raison de limitation de place, cette étiquette peut être placée sur le dessous de l'appareil.



L'éclair fléché dans un triangle équilatéral, avertit l'utilisateur de la présence d'une "tension dangereuse" non isolée à l'intérieur de l'appareil et d'une valeur suffisante pour constituer un risque d'électrocution.



Le point d'exclamation contenu dans un triangle équilatéral, avertit l'utilisateur de la présence, dans la documentation qui accompagne l'appareil, de consignes d'utilisation et de maintenance importantes.

ATTENTION: POUR ÉVITER LE RISQUE D'ÉLECTROCUTION OU D'INCENDIE, NE PAS EXPOSER À LA PLUIE OU À L'HUMIDITÉ UN APPAREIL.



Attention: L'installation doit être effectuée uniquement par du personnel de service qualifié conformément à la réglementation du Code Electrique National ou à la réglementation locale.

Appareils 24 VCA

Ne pas excéder 30 VCA. La tension appliquée à l'entrée d'alimentation de l'appareil ne devrait pas excéder 30 VCA. Toute installation électrique fournissant du 24 Volts courant alternatif doit être conforme aux codes électriques. (Niveaux d'alimentation de la Classe 2). Ne pas brancher une prise de terre sur les bornes d'alimentation 24 Volts ou aux bornes d'alimentation de l'appareil.

SICHERHEITSVORKEHRUNGEN



VORSICHT

STROMSCHLAGGEFAHR!
BITTE NICHT ÖFFNEN!



VORSICHT: UM EINEN ELEKTRISCHEN SCHLAG ZU VERMEIDEN, ABDECKUNG NICHT ENTFERNEN. WARTUNGEN ALLER ART QUALIFIZIERTEM PERSONAL ÜBERLASSEN.

Aus Platzgründen kann diese Warnung auf der Unterseite des Gerätes angebracht sein.



Das Blitzsymbol im gleichseitigen Dreieck soll den Benutzer auf nicht isolierte "Hochspannung" im Gehäuse aufmerksam machen, die eventuell stark genug ist, um einen elektrischen Schlag zu verursachen.



Das Ausrufezeichen im gleichseitigen Dreieck soll den Benutzer auf wichtige Bedienungs- und Wartungsanleitungen in der dem Gerät beigelegten Literatur aufmerksam machen.

WARNUNG: UM FEUER ODER ELEKTRISCHE SCHLÄGE ZU VERMEIDEN, SETZEN SIE DAS GERÄT NIEMALS REGEN ODER FEUCHTIGKEIT AUS.



Achtung! Die Installation sollte nur von qualifiziertem Kundendienstpersonal gemäß jeweilig zutreffender Elektrovorschriften ausgeführt werden.

24 VAC Geräte

Achtung! 30 Volt Eingangswechselspannung darf für 24 VAC Modelle nicht überschritten werden. Normal-betrieb findet bei 24 Volt Wechselspannung statt. Die Kabel- bzw. Drahtverbindung vom Netzgerät zu dem vor-liegenden Gerät muß die Bestimmungen der Schutz-klasse II erfüllen. Nicht die 24-Volt-Leitung erden weder am Netzgerät noch an den Anschlußklemmen des vor-liegenden Gerätes

PRECAUCIONES DE SEGURIDAD



PRECAUCION

RIESGO DE CHOQUE
ELECTRICO. ¡NO ABRIR!



PRECAUCION: PARA REDUCIR EL RIESGO DE CHOQUE ELÉCTRICO, FAVOR NO ABRIR LA CUBIERTA. ESTE EQUIPO NO CONSTA DE PIEZAS O PARTES QUE REQUIEREN SERVICIO O MANTENIMIENTO. PARA REPARACIONES FAVOR REFERIRSE A UN TÉCNICO CALIFICADO.

Debido a limitaciones de espacio, esta etiqueta puede aparecer en la parte inferior de la unidad.



El símbolo representado por un relámpago con punta de flecha dentro de un triángulo equilátero, se muestra con el objetivo de alertar al usuario que existen "voltajes peligrosos" sin aislamiento, dentro de la cubierta de la unidad. Dichos voltajes pueden ser de tal magnitud que constituyen un riesgo de choque eléctrico a personas.



El símbolo de exclamación dentro de un triángulo equilátero, se muestra con el objetivo de alertar al usuario de que instrucciones de operación y mantenimiento importantes acompañan al equipo.

PELIGRO: PARA EVITAR EL PELIGRO DE INCENDIO Ó CHOQUE ELÉCTRICO, NO EXPONGA A LA LLUVIA Ó HUMEDAD.



Atención: La instalación de este equipo debe ser realizada por personal capacitado, solo en acuerdo, y en cumplimiento de normas del "National Electric Code" (Código Eléctrico Nacional) ó las normas del Gobierno Nacional Local.

Unidades de 24 VCA

No exceder 30 VCA de entrada. Voltage suplido a la unidad no debe exceder 30 VCA. Voltage de entrada normal es de 24 VCA. El cableado de 24 VCA provisto por el usuario debe cumplir con las normas eléctricas (Clase 2 de niveles de alimentación). No conectar los 24 VCA a tierra en las terminales de la alimentación ó a las terminales de la fuente de alimentación de la unidad.

FCC & ICES INFORMATION (U.S.A. and Canadian Models Only)

WARNING - This equipment has been tested and found to comply with the limits for a Class A digital device, pursuant to Part 15 of the FCC Rules and ICES-003 of Industry Canada. These limits are designed to provide reasonable protection against harmful interference when the equipment is operated in a commercial environment. This equipment generates, uses, and can radiate radio frequency energy and, if not installed and used in accordance with the instruction manual, may cause harmful interference to radio communications. Operation of this equipment in a residential area is likely to cause harmful interference in which case the user will be required to correct the interference at his own expense. Intentional or unintentional changes or modifications not expressly approved by the party responsible for compliance shall not be made. Any such changes or modifications could void the user's authority to operate the equipment.

If necessary, the user should consult the dealer or an experienced radio/television technician for corrective action. The user may find the following booklet prepared by the Federal Communications Commission helpful: "How to Identify and Resolve Radio-TV Interference Problems." This booklet is available from the U.S. Government Printing Office, Washington, DC 20402, Stock No.004-000-00345-4.

Warning: This is a Class A product. In a domestic environment, this product may cause radio interference in which case the user may be required to take adequate measures.

1. UNPACKING

Unpack carefully. This is an electromechanical device and should be handled carefully. Check to ensure that the following items are included:

- Integrated camera/housing unit.
- Hardware kit:
 - Two (2) 6-32 x 3/4-inch mounting screws
 - Tamper Proof Allen wrench
- Desiccant kit:
 - Desiccant-Pak
 - Adhesive foam tape pad used to attach Desiccant-Pak

2. SERVICE

If the unit needs repair service or parts, the customer should contact Aigis Mechtronics for authorization to return as well as shipping instructions.

3. DESCRIPTION & SPECIFICATIONS

The MLA Series Mini and Vari domes are small, high security surveillance domes containing 1/4-inch CCD cameras with integral fixed or varifocal lenses. The unit mounts easily to a single gang electrical box or directly to a wall or ceiling. The units come ready to use and have line lock, phase adjustment, and backlight compensation controls to ensure the highest quality image and performance.

Construction/Finish: Polycarbonate Dome on cast aluminum housing.

4. COVER REMOVAL & REPLACEMENT

1. Using the special Allen wrench provided, remove the 4 tamper resistant screws located on the cover. The screws are captive and will remain with the cover. Refer to **Figure 1**.
2. Lift the cover off the base to make required camera adjustments.
3. Replace the cover and tighten the retaining screws securely.

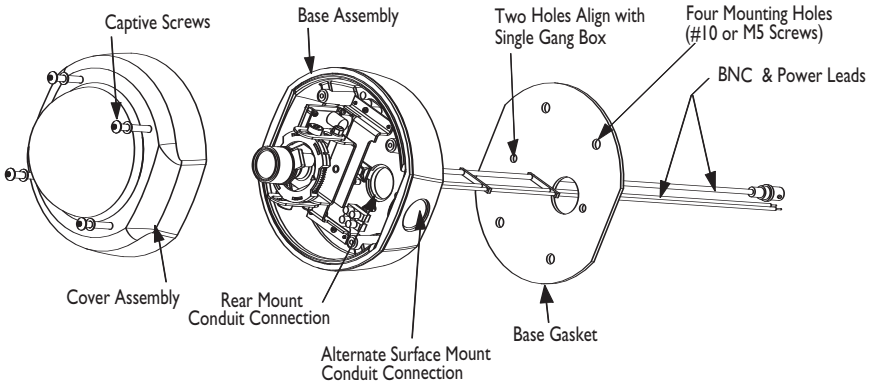


Figure 1 MLA Series Assembly

5. INSTALLATION

Attention: Installations should be performed by qualified service personnel only in accordance with the National Electrical Code or applicable local codes.

5.1 Connecting Low Voltage Power & Video Signal

The wiring harness has a BNC connector to accept video coax and two stripped leads to accept the low voltage power. For mounting to a single gang electrical box, run power and video lines through a knockout into the box (not provided). When mounting directly to a wall or ceiling, run power and video lines to the desired location using 3/4 inch conduit.

Caution: Before proceeding to disconnect the power at its source, be sure that the unit is of the proper voltage type for the line power.

5.1.1 Connecting Low Voltage Power

Connect the line and neutral wires.

1. 12 VDC Applications: Connect the 12 volt hot wire to the red lead. Connect the neutral/common wire to the black lead.
2. 24 AC Applications: Camera operation is not affected by the polarity of the 24 VAC wires. However, in multiple camera systems, consistent wiring configurations will help maintain roll-free switching.

5.1.2 Connecting Video Cable

Route and connect video cable to BNC connector.

5.2 Mounting

Refer to *Figure 1*.

1. Using the rubber base gasket as a template, mark the mounting hole locations on the mounting surface. The unit is intended to be mounted with four #10 screws or four M5 screws (not supplied) through the four outer holes in the base casting. To attach the unit to a single electrical box, use the two #6-32 screws supplied.
2. Install the appropriate anchors or threaded inserts at the locations marked in step 1.
3. Install a 3/4-inch threaded service conduit coupling into the back conduit hole, using pipe sealant on the threads. If conduit is to enter from the side, use a 2-mm Allen wrench to loosen the set screw from the conduit hole plug. Remove the plug and reinstall it in the conduit hole on the back of the unit.

4. If mounting this unit outdoors, apply a generous bead of silicone sealant around the back of the base casting, surrounding all holes. Apply the rubber base gasket to the back of the base casting and apply another generous bead of sealant to the outer edge around the exposed surface of the gasket.
5. Place the unit into position on the wall or ceiling. Install the mounting screws securely. If sealant is used, make sure that the sealant between the wall or ceiling and the gasket forms a complete seal. Add more sealant if needed. Make all final service connections and secure the conduit.

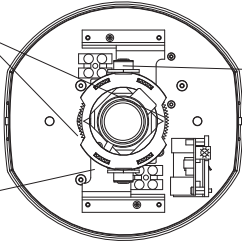
6. CAMERA ADJUSTMENT

6.1 MLA VariFocal Series

1. Remove dome cover. See **Section 4**.
2. Camera module position can be adjusted both vertically and horizontally. The camera module can also be rotated for proper tilt orientation. See **Figure 2** for adjustment points.
3. When camera position is set, replace dome cover.

Rotate adjustment dial; used to square camera once adjustments have been made.

Entire base bracket rotates for pan adjustment.



Tilt adjustment; Thumb nut

Figure 2 Camera Position Adjustment Points

6.2 MLA Fixed Focal Series

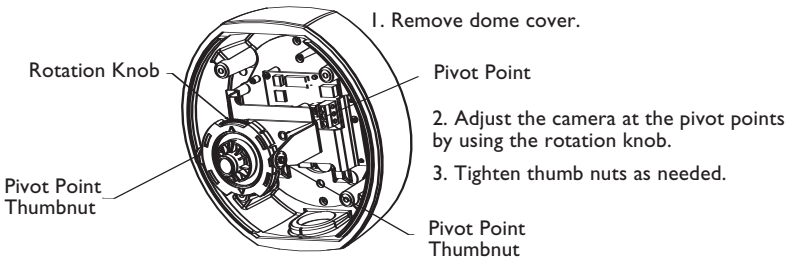


Figure 3 Fixed Focal Series

7. CAMERA AND LENS SETTINGS

MLA VARIFOCAL SERIES

The camera module has various settings for any additional adjustments that may be required. See **Figure 4** for adjustment locations.

7.1 Phase Adjust

The phase adjust control is located on the power board next to power cable connections. See **Figure 4**. To adjust phase, use a small screwdriver to rotate control (blue block with yellow screw hole) until picture is synchronized with other cameras in the system.

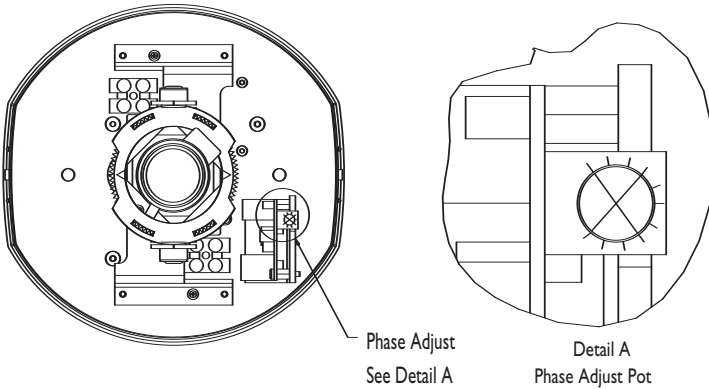


Figure 4 Camera Assembly

7.2 Dip Switch Location

See **Detail B** for dip switch information.

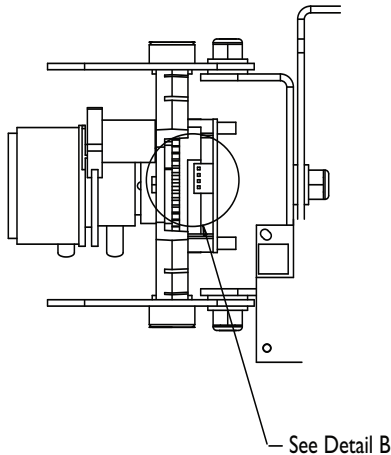
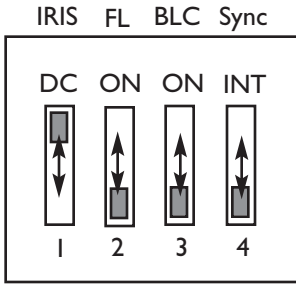



Figure 5 Dip Switch Location

DETAIL B

The following chart diagrams the selectable dip switches and their respective functions:

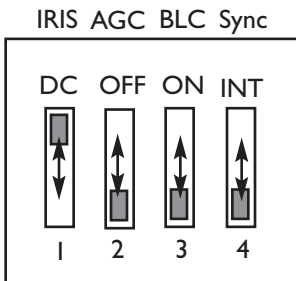
Color & Day/Night Camera




Note:  is factory set up

1	IRIS	DC	DC IRIS
		AES	AES
2	Flickerless (FL)	ON	Shutter speed to be fixed at 1/100 sec.
		OFF	Normal position
3	Backlight Compensation (BLC)	ON	Set to this position when a strong light is in the back ground.
		OFF	Normal position
4	Synchronization Mode	INT	Internal Synchronization mode
		L.L.	Line lock mode

Black & White Camera



Note:  is factory set up

1	IRIS	DC	DC IRIS
		AES	AES
2	Auto Gain Control (AGC)	OFF	Gain Level to be fixed at min.
		ON	Set to this position to improve camera sensitivity in low light conditions.
3	Backlight Compensation (BLC)	ON	Set to this position when a strong light is in the back ground.
		OFF	Normal position
4	Synchronization Mode	INT	Internal Synchronization mode
		L.L.	Line lock mode

8. CAMERA AND LENS SETTINGS

MLA Fixed Focal Series

As received, the unit will be set such that the line lock is on, the backlight compensation is off and automatic white balance is on (color models only).

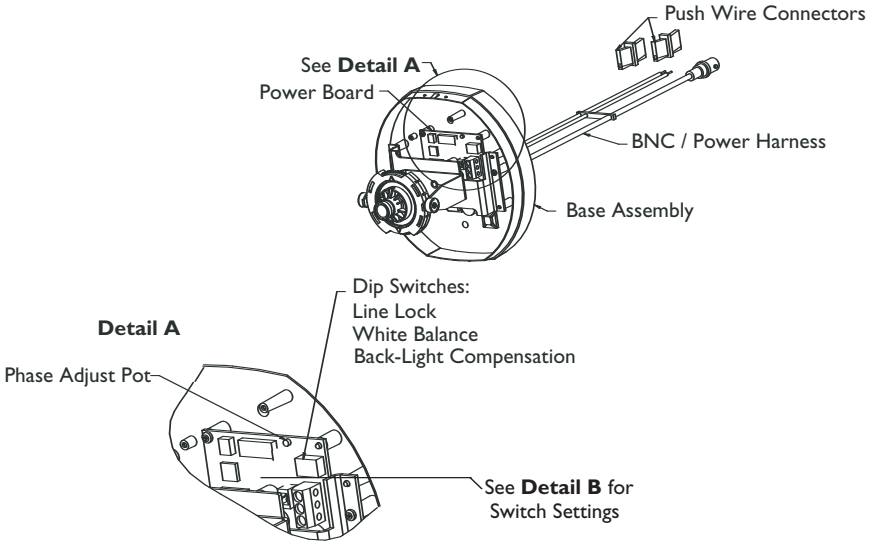
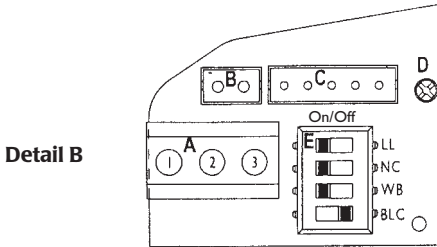


Figure 6 Fixed Focal Camera Adjustments

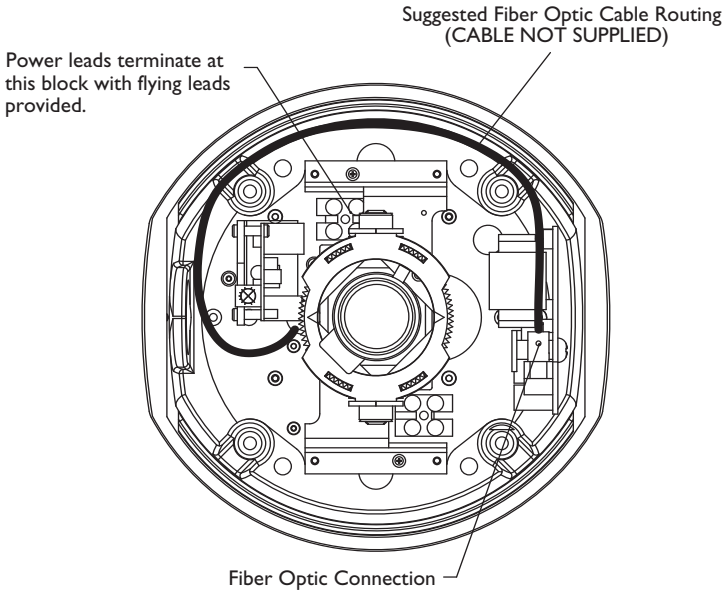


DIP Switch Settings and Connections

- | | |
|---|--|
| <p>A -Power Block</p> <ol style="list-style-type: none"> 1. Supply 2. Secondary GND
(Do not connect) 3. Supply (Supply accepts 24 Vac or 12Vdc, polarity independent, galvanically isolated from video GND) | <p>C -DC Iris Cable Connection</p> <p>D -Vphase Adjustment
Adjust control until desired setting is achieved</p> <p>E - Default Dipswitch Settings</p> <ul style="list-style-type: none"> On - LL (Line Lock) NC (Not Connected) On - WB (White Balance) Off - BLC (Back Light Compensation) |
| <p>B - Video Cable Output Connection</p> | |

9. FIBER OPTIC CONNECTION

For Fiber Optic Models, Avoid Tight Bends in the Fiber Cable.
Connect Camera and Fiber Module to the same 24VAC Power Source.



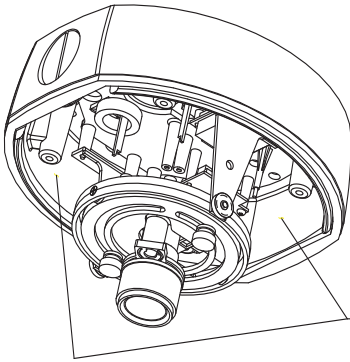
10. NETWORK UTP OPTION

Factory installed unshielded twisted pair transmitter requires no adjustments to be made during installation.

1. Connect the power as usual (power leads are red and black).
2. Connect the two video leads as labeled to the twisted pair (blue lead is labeled Video+; yellow lead is labeled video-).

Transmitter is compatible with NVT receivers and permits video transmission of up to 750 ft when passive receiver is used and 3000 ft when active receiver is used.

11. DESICCANT INSTALLATION



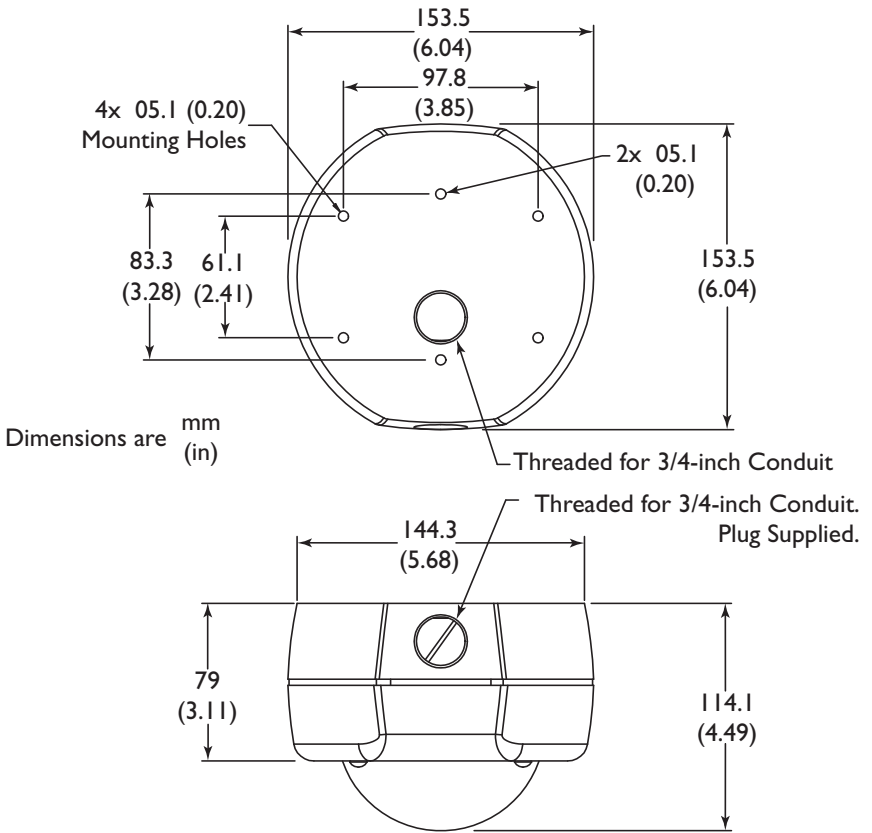
Attach Desiccant to Either Surface Using Adhesive Pad Supplied in Kit.
Keep Desiccant Sealed in Plastic Bag Until Ready for Installaton.

12. REPLACEMENT PARTS

Part no.	Qty	Part Description
315 3460 001	1	Dome Bubble, Gray Tint
315 3460 002	1	Dome Bubble, Clear
315 4372 508	1	Varifocal Camera/Lens Assembly & Mounting Bracket (Color, 3-6 mm lens, 50Hz)
315 4372 507	1	Camera/Lens Assembly & Mounting Bracket (Color, 3-6 mm lens, 60Hz)
315 3651 010	1	Front Cover & Dome Assembly
315 3651 011	1	Front Cover & Dome Assembly
315 3651 012	1	Fiber Optic Module with Mount Bracket
315 3466 802	1	Tamper-resistant Hex Bit

Note: Contact the factory for parts that are not listed.

13. DIMENSIONAL OUTLINE





©2006 Aigis Mechtronics

1124 Louise Road, Winston-Salem, NC 27107-5450

Tel: 336.785.7740 Fax: 336.785.7744

100 0040 003 AIG 08/06

Printed in U.S.A.

Data subject to change without notice