

## Warranty

Multiplex Technology, Inc. warrants this products to be free from defects in materials and workmanship for a period of one year from the date of purchase or MTI will repair, or at its option, replace the defective product. To obtain warranty service, call MTI for a return material authorization (RMA) number and return the product prepaid

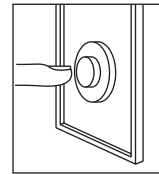
Attention: Customer Service. Please put the RMA number on the outside of the carton.

Any implied warranty arising from the sale of the product including implied warranties of merchantability and fitness for purpose are limited to the warranty stated above. MTI shall not be responsible for losses or damages or expenses, whether direct, consequential or incidental arising from the use of or the inability to use this product. Some states do not allow limitations on how long the implied warranty lasts or the exclusion or limitation or incidental or consequential damages, so the above limitations and exclusions may not apply to you. This warranty gives you specific legal rights, and you may have other rights which may vary from state to state.

# Channel Plus<sup>®</sup>

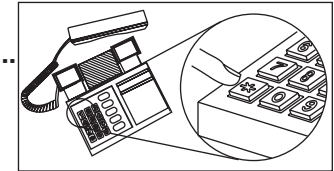
PERFORMANCE MULTI-ROOM VIDEO

## DoorTel Front Door/Telephone Intercom System Models 8400 & 8401



1. When the doorbell rings...

2. Go to the nearest phone...  
Pick up the receiver,  
and press the \* " key.

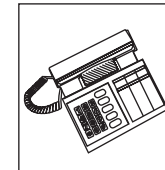


3. Talk to the person at the entrance.  
While talking, press '9' to unlock  
door or gate (model 8401 only).

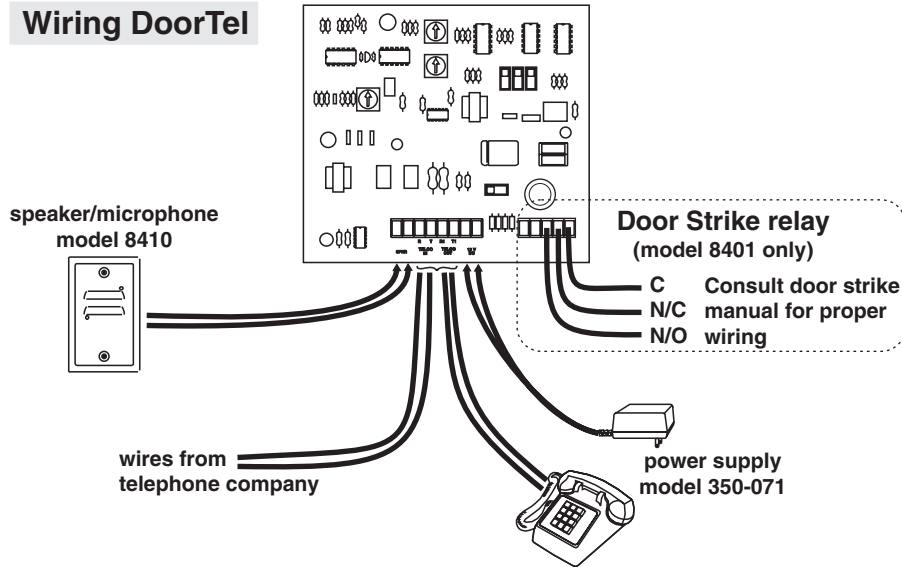
model 8410  
Speaker/Microphone



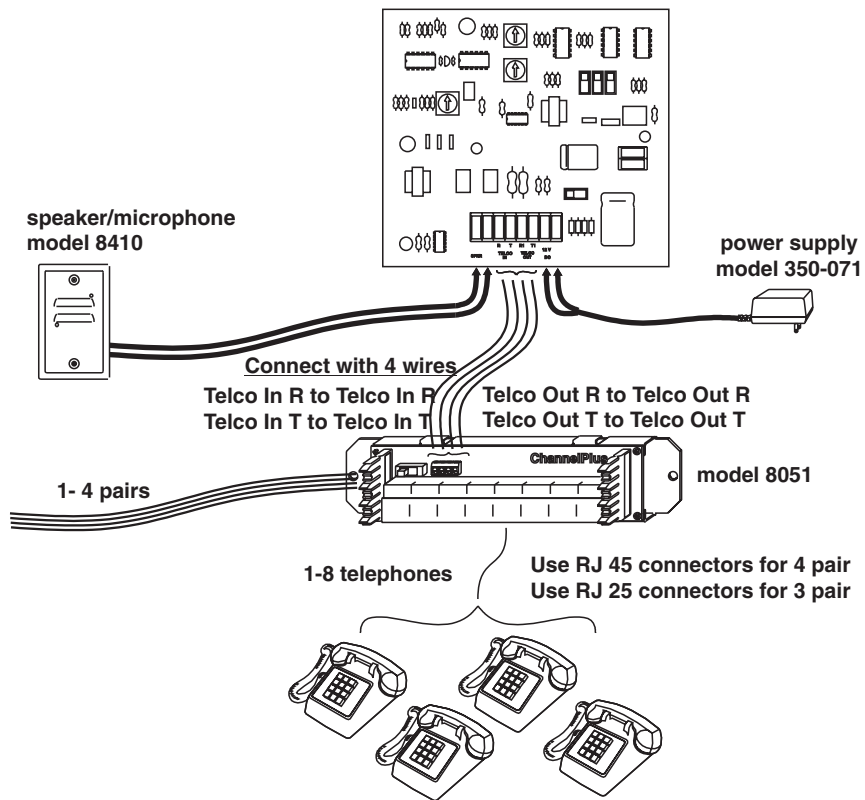
4. Hang up the phone to  
turn off the speaker.



## Wiring DoorTel

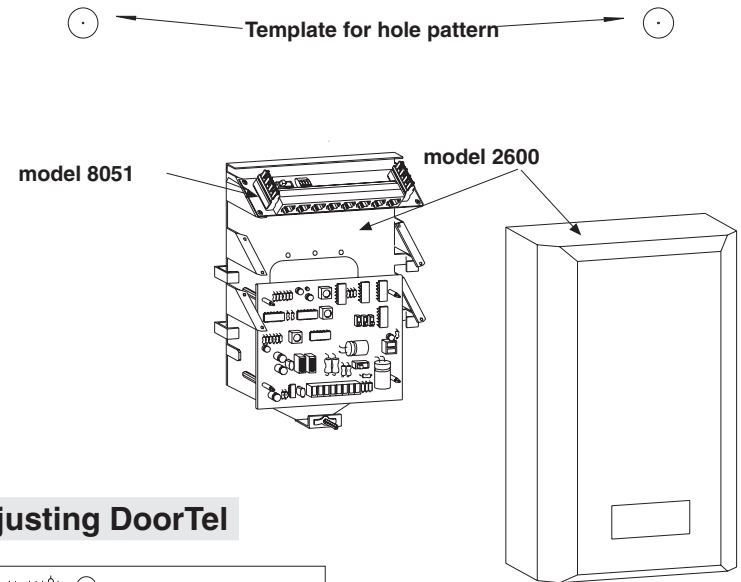


## Wiring DoorTel and the model 8051 hub

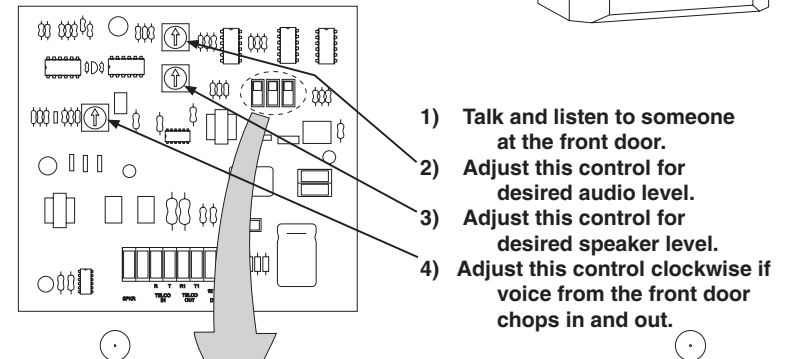


## Mounting DoorTel

The model 8400/8410 DoorTel may be mounted inside ChannelPlus network enclosures by using the enclosed nylon standoffs. Optionally, the DoorTel may be mounted on any flat surface by drilling 0.156" holes in a 3.0" x 4.6" pattern. The hole pattern is provided below.



## Adjusting DoorTel



### Set-up Switches

2  
1  
Number of tones to activate.  
i.e. \* or \*\*

\* turns on  
# turns off

# turns on  
\* turns off