

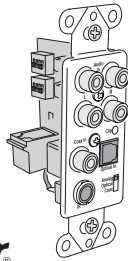


**Multi-Room Audio Distribution System**

**ENC-LIWP Local Input Wall Plate Installation Instructions**



USA & Canada (800) 421-1587 & (800) 392-0123  
 (760) 438-7000 - Toll Free FAX (800) 468-1340  
 www.linearcorp.com



**1. PRODUCT DESCRIPTION**

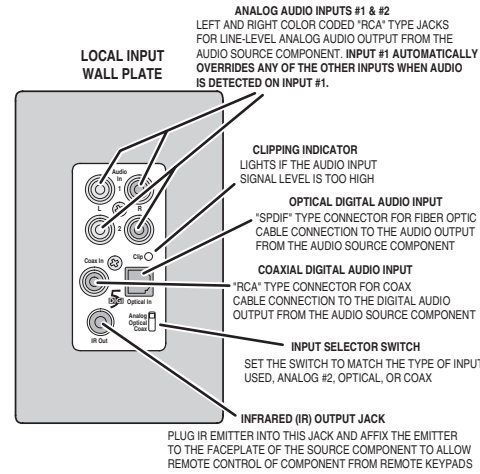
The Encore local input wall plate (Model ENC-LIWP) serves as a local audio source input for the Encore Multi-Room Audio Distribution System. It provides a connection point for a local audio source in the same room as the keypad, such as an MP3 player or game box. A high quality analog-to-digital converter encodes analog sources to digital audio and distributes it to the keypad (Model ENC-DRS).

The wall plate wires directly to the keypad and mounts in a single-gang J-box. The keypad selects between an audio source connected to the local input wall plate or from up to four audio sources connected to source input wall plates (Model ENC-SIWP) wired to the system hub.

The wall plate has two sets of stereo analog audio inputs, a coaxial digital and optical digital audio input. Analog Input #1 will override audio signals at any of the Input #2 sources. When the audio signal on Input #1 ceases, the wall plate will switch back to an Input #2 source after about 10 seconds. The input selector switch selects between Input #2 sources. A set of gain switches is provided to boost low level signals by +4, or +8 db. The clipping indicator will light if the signal level is too high.

The system features infrared (IR) remote control. An IR repeater system monitors IR received at each keypad and repeats the remote control signals to the audio source components through IR emitters connected to the wall plate's IR OUT jack. IR emitters are sold in a 4-pack as Model 2171-4.

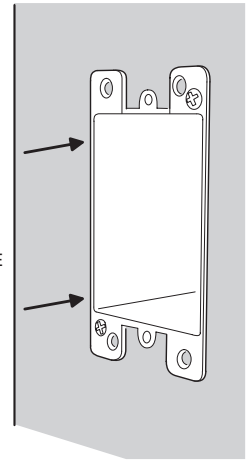
**2. WALL PLATE FEATURES**



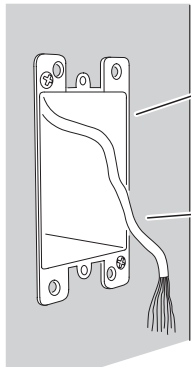
**3. INSTALL JUNCTION BOX**

INSTALL A SINGLE-GANG OR MULTI-GANG JUNCTION BOX AT A GOOD LOCATION FOR THE AUDIO CONNECTION TO THE SOURCE COMPONENT

ALSO BE SURE THAT THE CABLE FROM THE KEYPAD CAN BE EASILY ROUTED TO THE JUNCTION BOX



**4. ROUTE CAT-5 CABLE FOR WALL PLATE**



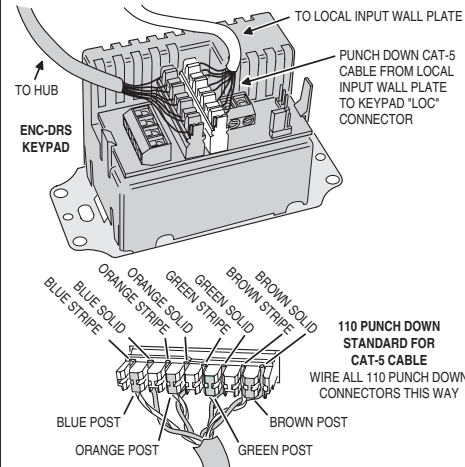
**MAXIMUM WIRE RUN: 300 FEET OF CAT-5 CABLE FROM KEYPAD TO ANY LOCAL INPUT WALL PLATE**

WALL PLATE J-BOX

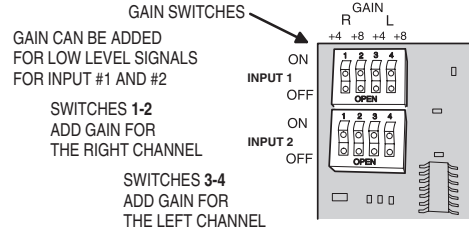
CAT-5 CABLE TO KEYPAD

ONE LOCAL INPUT WALL PLATE CAN BE USED WITH EACH KEYPAD

**5. CONNECT CABLE AT KEYPAD**

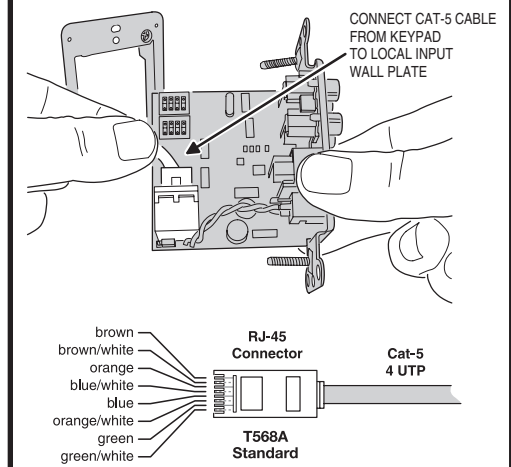


**6. SET GAIN SWITCHES (OPTIONAL)**

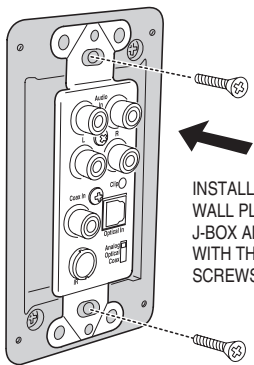


GAIN	SWITCH #			
	RIGHT CHANNEL		LEFT CHANNEL	
RIGHT +0db	OFF	OFF		
RIGHT +4db	ON	OFF		
RIGHT +8db	OFF	ON		
RIGHT +10db	ON	ON		
LEFT +0db			OFF	OFF
LEFT +4db			ON	OFF
LEFT +8db			OFF	ON
LEFT +10db			ON	ON

**7. CONNECT CABLE TO WALL PLATE**



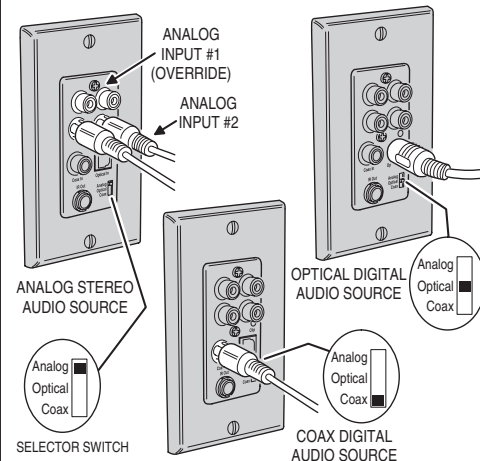
**8. INSTALL WALL PLATE**



INSTALL LOCAL INPUT WALL PLATE INTO THE J-BOX AND SECURE IT WITH THE TWO MOUNTING SCREWS

INSTALL COVER PLATE

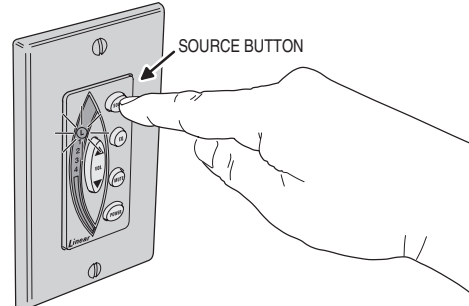
**9. CONNECT AUDIO SOURCE**



**10. POWER UP AND TEST**

AFTER THE INSTALLATION IS COMPLETE, APPLY POWER TO THE SYSTEM AND USE THE SOURCE BUTTON TO SELECT THE LOCAL SOURCE FROM THE KEYPAD (SOURCE INDICATOR "L" WILL BE LIT)

BE SURE THE LOCAL SOURCE IS PLAYING AUDIO AND VERIFY THAT THE KEYPAD PLAYS THE AUDIO THROUGH THE ZONE'S SPEAKERS



**LIMITED WARRANTY**

This Linear product is warranted against defects in material and workmanship for twenty four (24) months. **This warranty extends only to wholesale customers** who buy direct from Linear or through Linear's normal distribution channels. **Linear does not warrant this product to consumers.** Consumers should inquire from their selling dealer as to the nature of the dealer's warranty, if any. **There are no obligations or liabilities on the part of Linear LLC for consequential damages arising out of or in connection with use or performance of this product or other indirect damages with respect to loss of property, revenue, or profit, or cost of removal, installation, or reinstatement.** All implied warranties, including implied warranties for merchantability and implied warranties for fitness, are valid only until the warranty expires. **This Linear LLC Warranty is in lieu of all other warranties express or implied.**

All products returned for warranty service require a Return Product Authorization Number (RPA#). Contact Linear Technical Service at 1-800-421-1587 for an RPA# and other important details.