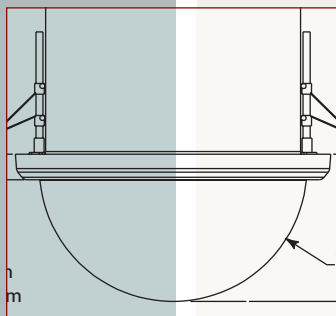
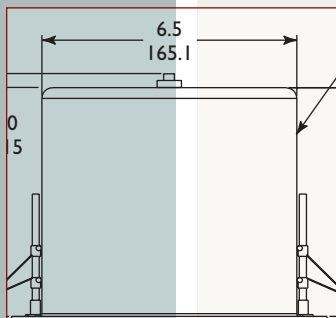
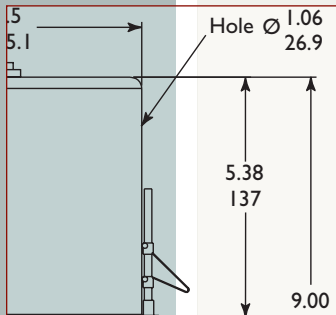




- For Fixed Cameras
- Plenum Ceiling Applications
- Concealed Camera Position with Minimal F-stop Loss
- Easy Installation
- Adjustable Viewing Direction

6-inch Dome Housing



HS9349

The Aigis HS9349 dome housing accommodates fixed cameras and can be easily mounted in both sheet rock and standard drop ceilings using a quick-latch mechanism. The backbox is constructed from durable aluminum with conduit access and accommodations for safety cables making it ideal for use in plenum ceiling applications. Additionally, these units include a masked dome with a viewing window that conceals the camera/lens with minimal light reduction.

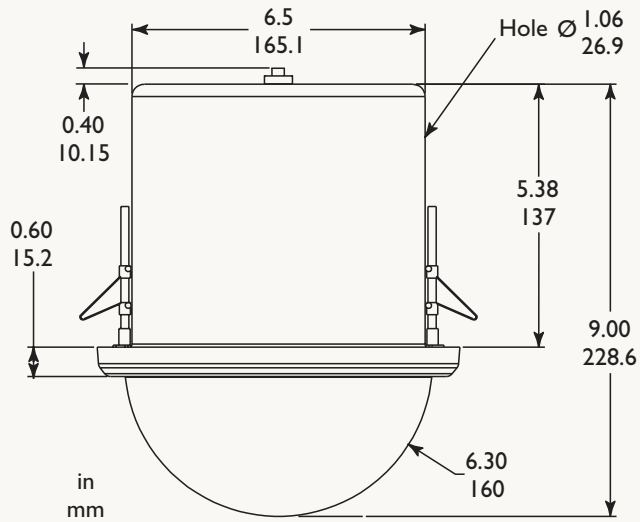
SPECIFICATIONS

| MECHANICAL SPECIFICATIONS | | | |
|-------------------------------|--------------|----------|--|
| Housing | Construction | | Aluminum Housing, acrylic dome. The dome is masked with a lightly tinted viewing area. |
| | Finish | | Charcoal trim ring. (standard) |
| | | W | |
| | Weight | | 3.8 lb (1.7 kg). |
| Camera Mounting | | | Two-arm camera support bracket, adjustable forward and backward, is included with each unit |
| ENVIRONMENTAL | | | Rated for indoor use only. |
| Temperature | Operating | | +14 °F to +122 °F (-10 °C to +50 °C) |
| | Storage | | -4 °F to +122 °F (-20 °C to +50 °C) |
| Humidity | | | 0% to 90% relative, noncondensing. |
| ELECTROMAGNETIC COMPATIBILITY | | | |
| Safety | | | CE & UL |

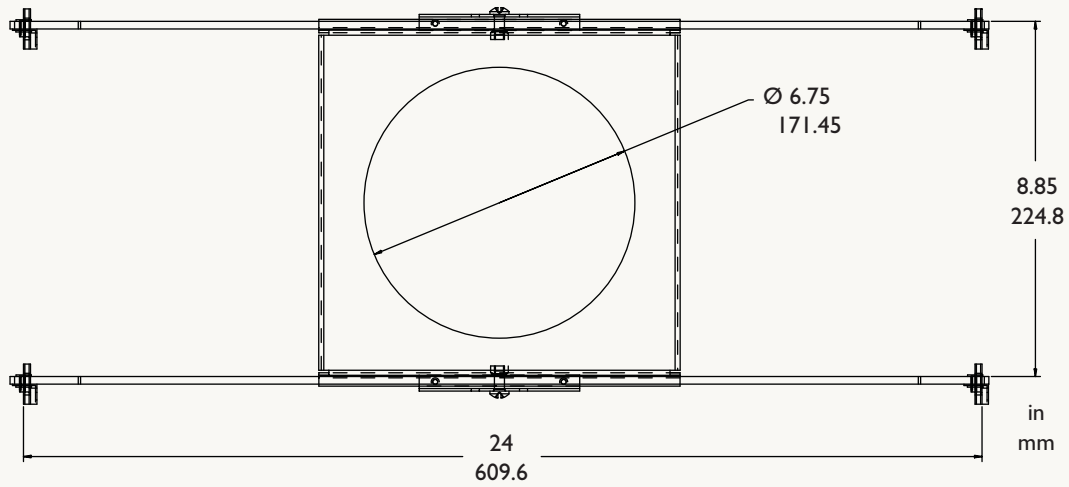
ACCESSORIES

IND6MK: Mounting kit with support rails
for suspended ceiling applications.

HS9349 - DIMENSIONAL OUTLINE



IND6MK - MOUNTING KIT ACCESSORY





mechtronics

©2003 Aigis Mechtronics

1124 Louise Road, Winston-Salem, NC 27107-5450

Tel: 336.785.7740 Fax: 336.785.7744

www.aigismech.com

Data subject to change without notice

04/04 rev_01
Printed in U.S.A.