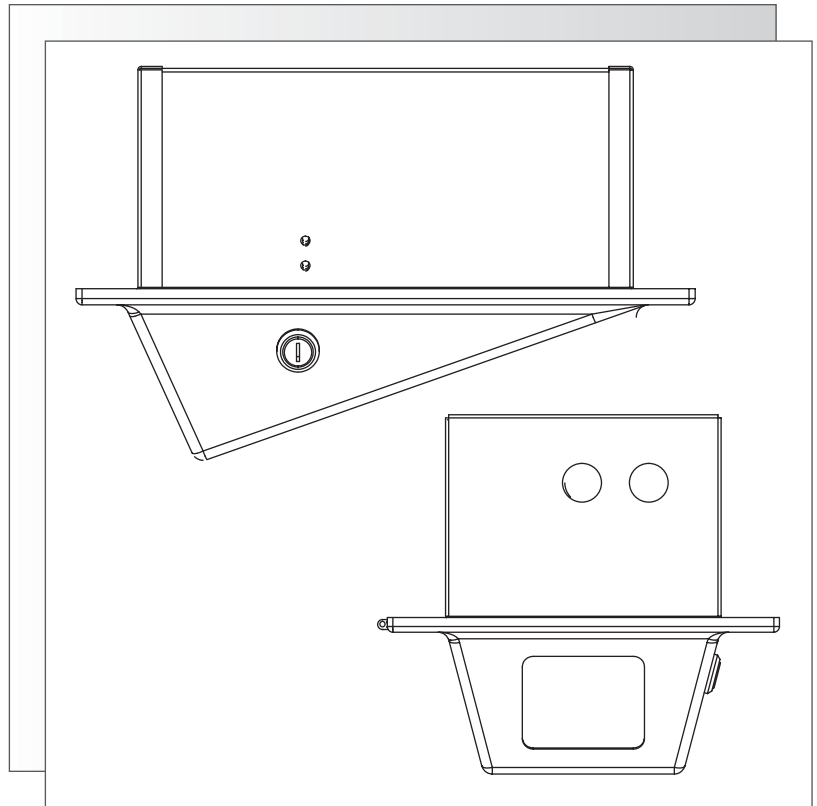



RECESSED CEILING HOUSINGS



HS9369, HS9370 SERIES

SUSPENDED CEILING MOUNTING KITS HS9069, HS9070 SERIES

IMPORTANT SAFEGUARDS

1. Read Instructions - All the safety and operating instructions should be read before the unit is operated.
 2. Retain Instructions - The safety and operating instructions should be retained for future reference.
 3. Heed Warnings - All warnings on the unit and in the operating instructions should be adhered to.
 4. Follow Instructions - All operating and use instructions should be followed.
 5. Cleaning - Unplug the unit from the outlet before cleaning. Do not use liquid cleaners or aerosol cleaners. Use a damp cloth for cleaning.
 6. Attachments - Do not use attachments not recommended by the product manufacturer as they may cause hazards.
 7. Accessories - Do not place this unit on an unstable stand, tripod, bracket, or mount. The unit may fall, causing serious injury to a person and serious damage to the unit. Use only with a stand, tripod, bracket, or mount recommended by the manufacturer or sold with the product. Any mounting of the unit should follow the manufacturer's instructions and should use a mounting accessory recommended by the manufacturer.
- 



An appliance and cart combination should be moved with care. Quick stops, excessive force, and uneven surfaces may cause the appliance and cart combination to overturn.
8. Ventilation - Openings in the enclosure, if any, are provided for ventilation, to ensure reliable operation of the unit, and to protect it from overheating. These openings must not be blocked or covered. This unit should not be placed in a built-in installation unless proper ventilation is provided or the manufacturer's instructions have been adhered to.
 9. Power Sources - This unit should be operated only from the type of power source indicated on the marking label. If you are not sure of the type of power supply you plan to use, consult your appliance dealer or local power company. For units intended to operate from battery power or other sources, refer to the operating instructions.
 10. Grounding or Polarization - This unit may be equipped with a polarized alternating-current line plug (a plug having one blade wider than the other). This plug will fit into the power outlet only one way. This is a safety feature. If you are unable to insert the plug fully into the outlet, try reversing the plug. If the plug should still fail to fit, contact your electrician to replace your obsolete outlet. Do not defeat the safety purpose of the polarized plug.
Alternately, this unit may be equipped with a 3-wire grounding-type plug, a plug having a third (grounding) pin. This plug will only fit into a grounding-type power outlet. This is a safety feature. If you are unable to insert the plug into the outlet, contact your electrician to replace your obsolete outlet. Do not defeat the safety purpose of the grounding-type plug.
 - II. Power Cord Protection - Power supply cords should be routed so that they are not likely to be walked on or pinched by items placed upon or against them, paying particular attention to cords and plugs, convenience receptacles, and the point



where they exit from the appliance.

12. Power Lines - An outdoor system should not be located in the vicinity of overhead power lines or other electric light or power circuits or where it can fall into such power lines or circuits. When installing an outdoor system, extreme care should be taken to keep from touching such power lines or circuits as contact with them might be fatal. U.S.A. models only - refer to the National Electrical Code Article 820 regarding installation of CATV systems.
13. Overloading - Do not overload outlets and extension cords as this can result in a risk of fire or electric shock.
14. Object and Liquid Entry - Never push objects of any kind into this unit through openings, as they may touch dangerous voltage points or short out parts that could result in a fire or electric shock. Never spill liquid of any kind on the unit.
15. Servicing - Do not attempt to service this unit yourself as opening or removing covers may expose you to dangerous voltage or other hazards. Refer all servicing to qualified service personnel.
16. Damage Requiring Service - Unplug the unit from the outlet and refer servicing to qualified service personnel under the following conditions:
 - a. When the power supply cord or plug is damaged.
 - b. If liquid has been spilled or objects have fallen into the unit.
 - c. If the unit has been exposed to rain or water.
 - d. If the unit does not operate normally by following the operating instructions. Adjust only those controls that are covered by the operating instructions, as an improper adjustment of other controls may result in damage and will often require extensive work by a qualified technician to restore the unit to its normal operation.
 - e. If the unit has been dropped or the cabinet has been damaged.
 - f. When the unit exhibits a distinct change in performance--this indicates a need for service.
17. Replacement Parts - When replacement parts are required, be sure the service technician has used replacement parts specified by the manufacturer or have the same characteristics as the original part. Unauthorized substitutions may result in fire, electric shock, or other hazards.
18. Safety Check - Upon completion of any service or repairs to this unit, ask the service technician to perform safety checks to determine that the unit is in proper operating condition.
19. Coax Grounding - If an outside cable system is connected to the unit, be sure the cable system is grounded. U.S.A. models only--Section 810 of the National Electrical Code, ANSI/NFPA No.70-1981, provides information with respect to proper grounding of the mount and supporting structure, grounding of the coax to a discharge unit, size of grounding conductors, location of discharge unit, connection to grounding electrodes, and requirements for the grounding electrode.
20. Lightning - For added protection of this unit during a lightning storm, or when it is left unattended and unused for long periods of time, unplug it from the wall outlet and disconnect the cable system. This will prevent damage to the unit due to lightning and power line surges.

SAFETY PRECAUTIONS:



This label may appear on the bottom of the unit due to space limitations.

	CAUTION RISK OF ELECTRIC SHOCK. DO NOT OPEN!	
CAUTION: TO REDUCE RISK OF ELECTRICAL SHOCK, DO NOT OPEN COVERS. NO USER SERVICEABLE PARTS INSIDE. REFER SERVICING TO QUALIFIED SERVICE PERSONNEL.		

-  The lightning flash with an arrowhead symbol within an equilateral triangle is intended to alert the user to the presence of uninsulated "dangerous voltage" within the product's enclosure that may be of sufficient magnitude to constitute a risk of electric shock to persons.
-  The exclamation point within an equilateral triangle is intended to alert the user to presence of important operating and maintenance (servicing) instructions in the literature accompanying the appliance.



SECURITE: En raison de limitation de place, cette étiquette peut être placée sur le dessous de l'appareil.

	ATTENTION RISQUE DE COUCHE ELECTRIQUE. NE PAS OUVRIR	
DANGER: POUR ÉVITER TOUT RISQUE D'ÉLECTROCUTION, NE PAS OUVRIR LE BOÎTIER. IL N'Y A PAS DE PIÈCES REMPLAÇABLES À L'INTÉRIEUR. POUR TOUTE RÉVISION, S'ADRESSER À UN TECHNICIEN SPÉCIALISÉ.		

-  L'éclair fléché dans un triangle équilatéral, avertit l'utilisateur de la présence d'une "tension dangereuse" non isolée à l'intérieur de l'appareil et d'une valeur suffisante pour constituer un risque d'électrocution.
-  Le point d'exclamation contenu dans un triangle équilatéral, avertit l'utilisateur de la présence, dans la documentation qui accompagne l'appareil, de signes d'utilisation et de maintenance importantes.



SICHERHEITSVORKEHRUNGEN: Aus Platzgründen kann diese Warnung auf der Unterseite des Gerätes angebracht sein.

	VORSICHT STROMSCHLAGEGFAHRI! BITTE NICHT ÖFFNEN!	
VORSICHT: UM EINEN ELEKTRISCHEN SCHLAG ZU VERMEIDEN, ABDECKUNG NICHT ENTFERNEN. WARTUNGEN ALLER ART QUALIFIZIERTEM PERSONAL ÜBERLASSEN.		

-  Das Blitzsymbol im gleichseitigen Dreieck soll den Benutzer auf nicht isolierte "Hochspannung" im Gehäuse aufmerksam machen, die eventuell stark genug ist, um einen elektrischen Schlag zu verursachen.
-  Das Ausrufezeichen im gleichseitigen Dreieck soll den Benutzer auf wichtige Bedienungs- und Wartungsanleitungen in der dem Gerät beige-fügten Literatur aufmerksam machen.

PRECAUCIONES DE SEGURIDAD: Debido a limitaciones de espacio, esta etiqueta puede aparecer en la parte inferior de la unidad.

	PRECAUCION RIESGO DE CHOQUE ELECTRICO. NO ABRIR!	
PRECAUCION: PARA REDUCIR EL RIESGO DE CHOQUE ELÉCTRICO, FAVOR NO ABRIR LA CUBIERTA. ESTE EQUIPO NO CONSTA DE PIEZAS O PARTES QUE REQUIEREN SERVICIO O MANTENIMIENTO. PARA REPARACIONES FAVOR REFERIRSE A UN TÉCNICO CALIFICADO.		

-  El símbolo representado por un relámpago con punta de flecha dentro de un triángulo equilátero, se muestra con el objetivo de alertar al usuario que existen "voltajes peligrosos" sin aislamiento, dentro de la cubierta de la unidad. Dichos voltajes pueden ser de tal magnitud que constituyen un riesgo de choque eléctrico a personas.
-  El símbolo de exclamación dentro de un triángulo equilátero, se muestra con el objetivo de alertar al usuario de que instrucciones de operación y mantenimiento importantes acompañan al equipo.

CONTENTS

1	UNPACKING	3
2	ACCESSORIES	3
2.1	Mounting Kits	3
3	SERVICE	3
4	CARE AND MAINTENANCE	3
5	DESCRIPTION	3
6	INSTALLATION	4
6.1	Maximum Camera/Lens Size	4
6.2	Tools Required	4
6.3	Fixed Ceiling Installation	4
6.4	Suspended Ceiling Installation	4
6.5	Tools Required	4
6.6	Installation	4
7	PARTS LIST	6
8	ACCESSORY PART LIST	7

1 UNPACKING

Unpack carefully. This is mechanical equipment and should be handled with care.

Check for the following:

- Housing.
- Hardware Kit:
 - 1 1/4-20 Thumb Screw.
 - 2 Keys.

If an item appears to have been damaged in shipment, replace it properly in its carton and notify the shipper. If any items are missing, notify Aigis Mechtronics.

The shipping carton is the safest container in which the unit may be transported. Save it for possible future use.

2 ACCESSORIES

2.1 Mounting Kits

Rotatable ceiling tile mounting kits are available for suspended-ceiling installations; they are not included and must be ordered separately.

HS9369

HS9069: Replaces a 2 ft x 2 ft ceiling tile.

HS9069M: Replaces a 600 mm x 600 mm ceiling tile.

HS9370

HS9070: Replaces a 2 ft x 2 ft ceiling tile.

HS9070M: Replaces a 600 mm x 600 mm ceiling tile.

3 SERVICE

If the unit ever needs repair service or parts, the customer should contact Aigis Mechtronics for authorization to return and shipping instructions, 1-800-523-6500.

4 CARE AND MAINTENANCE

There are no moving parts in this unit. Regularly scheduled maintenance will help prolong the operation life of this unit. Clean the viewing window as needed with a mild, nonabrasive detergent in water and a soft cloth.

5 DESCRIPTION

The HS9369 and HS9370 are aesthetically designed indoor ceiling housings for CCTV camera installations. These housings can be easily mounted in fixed or suspended ceilings and are ideal for any application where attractive and discreet CCTV monitoring is required.

WARNING:

To prevent fire or shock hazards, do not expose this unit or power supply to rain or moisture.

6 INSTALLATION



This installation should be made by qualified service personnel and conform to the National Electrical Code and applicable local codes.

6.1 Maximum Camera/Lens Size

HS9369: Accepts camera/lens combinations up to 330 L x 102 W x 102 H mm (13 x 4 x 4 in).

HS9370: Accepts camera/lens combinations up to 178 L x 76 W x 76 H mm (7 x 3 x 3 in).

6.2 Tools Required

Phillips screwdriver.
M10 (10 mm) Wrench or Socket.

6.3 Fixed Ceiling Installation

1. Determine the position of the unit in the ceiling and make the appropriate cutout. Do not remove or damage any structural members in the ceiling.
2. Unlock and open the cover. Remove any packing material from the inside of the unit. See **Figure 1**.

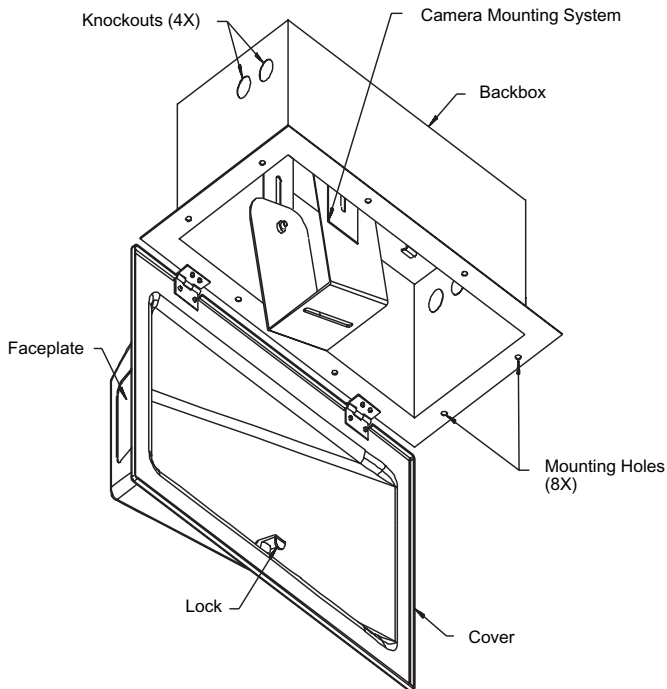


Figure 1: HS9369 & 9370 Features and Parts

3. Mark the mounting hole locations and drill any necessary holes. Eight 7 mm (0.27) mounting holes are provided in the backbox.
4. Decide how wiring will be routed into the housing. Remove the appropriate conduit knockout(s). Two PG 13.5 (1/2 in) knockouts are located in the front and two are located in the back of the unit.
5. Remove the two 6 mm (0.25 in) knockouts from the top of the backbox. These knockouts are for the attachment of a safety support wire (not provided). The safety support wire must be a solid steel wire with a minimum diameter of 2.7 mm (0.105 in) or 12 gauge wire.

6. Insert unit into ceiling and secure with eight fasteners (not provided). Use fasteners rated for your specific ceiling material where minimum pull out strength of each fastener should be 150 N (35 lb). Attach the safety support wire (not provided).
7. Attach the camera to the camera bracket using the 1/4-20 thumb screw provided in the hardware kit.
8. Make all necessary electrical connections.
9. Adjust the camera bracket position to the desired location and tighten the two M6 hex bolts using an M10 (10 mm) wrench or socket.
10. Close and lock the cover.

6.4 Suspended Ceiling Installation

Accessory Mounting Kits Required (Not Included).

Ceiling tile mounting kits are for suspended-ceiling installations. Each kit is constructed of 1 mm (0.04 in) aluminized steel with an off-white semigloss polyurethane finish rotating through 360°.

HS9369

HS9069: Replaces a 2 ft x 2 ft ceiling tile.

HS9069M: Replaces a 600 mm x 600 mm ceiling tile.

HS9370

HS9070: Replaces a 2 ft x 2 ft ceiling tile.

HS9070M: Replaces a 600 mm x 600 mm ceiling tile.

Accessory Mounting Kits contain the following items:

Qty	Part Description
1	Rotating Plate
1	Tile
3	M3 x 4 Phillips Pan Head Screws
3	M3 Fender Washer
8	M5 x 12 Philips Pan Head Screws
4	Mounting Feet

6.5 Tools Required

Phillips screwdriver
M10 (10 mm) Wrench or Socket

6.6 Installation

1. Unlock and open the cover. Remove any packing material from the inside of the unit.
2. Decide how wiring will be routed into the housing. Remove the appropriate conduit knockout(s). Two PG 13.5 (1/2 in) knockouts are located in the front and two are located in the back of the unit.
3. Remove the two 6 mm (0.25 in) knockouts from the top of the backbox. These knockouts are for the attachment of a safety support wire (not supplied). The safety support wire must be a solid steel wire with a minimum diameter of 2.7 mm (0.105 in) or 12 gauge wire.
4. Attach the rubber mounting feet (provided) to each corner of the backbox. See Figure 2.

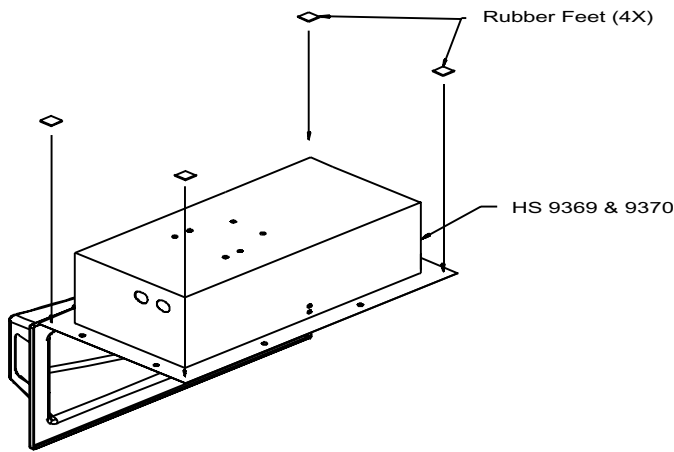


Figure 2: Mounting Feet Assembly

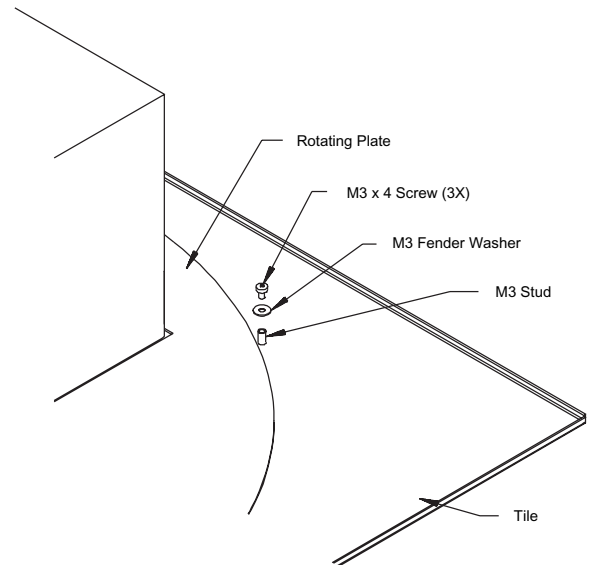


Figure 4: Tile Assembly

5. Position the tile through the backbox making sure the painted side of the tile is towards the cover. **See Figure 3.**

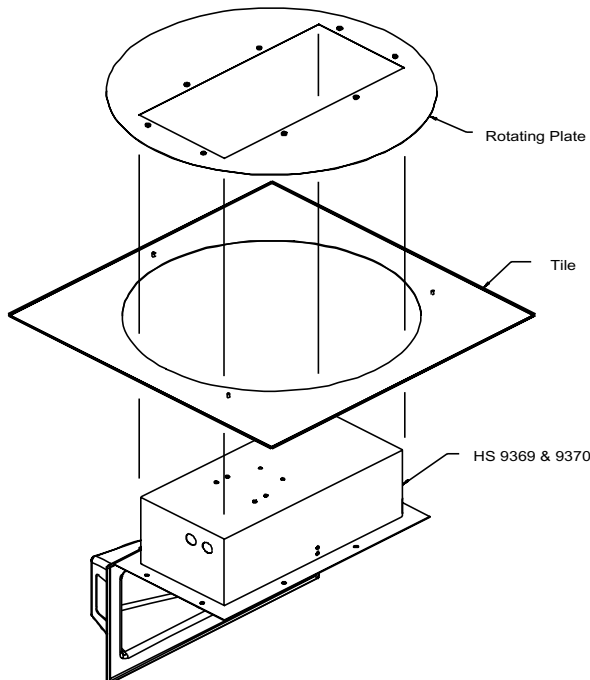


Figure 3: Assembling Mounting Kit

6. Slide the rotating plate over the backbox and on top of the tile. Again, keep the painted side towards the cover. See Figure 3.
7. Secure the M3 screws and washers onto the studs in the tile. Make sure the washers overlap the rotating plate. See Figure 4.

8. Secure the HS9369 or HS9370 to the rotating plate by attaching the six M5 screws through the mounting holes in the backbox and into the rotating plate. Do not tighten at this time. See Figure 5.

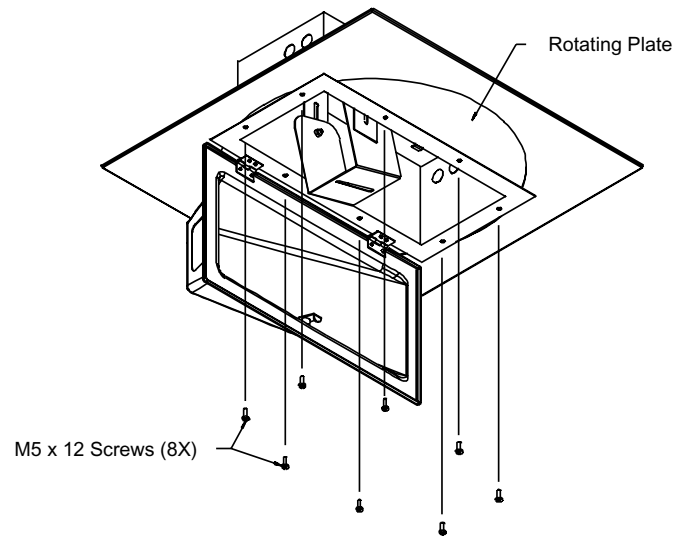


Figure 5: Securing the Unit to Mounting Kit

9. Position the unit into the ceiling opening. If ceiling opening is larger than the tile, install additional "T" rails as necessary.
10. Rotate the HS9369 or HS9370 unit to the desired location and tighten the M5 screws. Attach safety support wire.
11. Attach the camera to the camera bracket using the 1/4-20 screw provided in the hardware kit.
12. Make all necessary electrical connections.
13. Adjust the camera bracket position to the desired location and tighten the two M6 hex bolts using an M10 (10 mm) wrench or socket.
14. Close and lock the cover.

7 HS9369, HS9370 - PARTS LIST

HS9369

Part No.	Qty.	Part Description
315 2447	001	1 Camera Mount Assembly
315 2006	800	2 Screw, M6 x 16
315 2007	800	2 Washer, M6 Flat
315 2256	800	2 Washer, M6 Spiral Lock
315 2434	001	1 Mount, Top
315 2426	001	1 Cover
315 2433	001	1 Bracket, Adjustable Hook
315 2436	001	1 Lock, Single Bitted
315 2437	001	1 Washer, Steel (Lock)
315 2438	001	2 Hinge, Butt 1.5 x 1.5
315 2439	001	1 Faceplate, Clear 0.125 PC
315 2440	800	14 Rivet, 1/8-inch x 0.265
315 2431	001	1 Backbox
315 2452	002	1 Hardware Kit
315 3066	800	1 Thumb Screw, 1/4-20 x 5/16

HS9370

Part No.	Qty.	Part Description
315 2491	001	1 Camera Mount Assembly
315 2006	800	2 Screw, M6 x 16
315 2007	800	2 Washer, M6 Flat
315 2256	800	2 Washer, M6 Spiral Lock
315 2994	001	1 Mount, Top
315 2986	001	1 Cover
315 2433	001	1 Bracket, Adjustable Hook
315 2436	001	1 Lock, Single Bitted
315 2437	001	1 Washer, Steel (Lock)
315 2438	001	2 Hinge, Butt 1.5 x 1.5
315 2990	001	1 Faceplate, Clear 0.125 PC
315 2440	800	14 Rivet, 1/8-inch x 0.265
315 2992	001	1 Backbox
315 2452	002	1 Hardware Kit
315 3066	800	1 Thumb Screw, 1/4-20 x 5/16

8 ACCESSORY PARTS LIST

HS9069

Part No.	Qty.	Part	Description
315 2449	001	1	Tile Assembly HS9069
315 2450	001	1	Rotating Plate (Spinner)
315 2452	001	1	Kit, Hardware
315 1746	804	3	Screw, M3 x 4
315 2445	800	3	Washer, M3 Fender
315 2683	812	8	Screw, M5 x 12
315 2514	-001	4	Rubber Feet

HS9069M

Part No.	Qty.	Part	Description
315 2449	002	1	Tile Assembly HS9069M
315 2450	001	1	Rotating Plate (Spinner)
315 2452	001	1	Kit, Hardware
315 1746	804	3	Screw, M3 x 4
315 2445	800	3	Washer, M3 Fender
315 2683	812	8	Screw, M5 x 12
315 2514	-001	4	Rubber Feet

HS9070

Part No.	Qty.	Part	Description
315 3067	001	1	Tile Assembly HS9070
315 3068	001	1	Rotating Plate (Spinner)
315 2452	001	1	Kit, Hardware
315 1746	804	3	Screw, M3 x 4
315 2445	800	3	Washer, M3 Fender
315 2683	812	8	Screw, M5 x 12
315 2514	-001	4	Rubber Feet

HS9070M

Part No.	Qty.	Part	Description
315 3067	002	1	Tile Assembly HS9070
315 3068	001	1	Rotating Plate (Spinner)
315 2452	001	1	Kit, Hardware
315 1746	804	3	Screw, M3 x 4
315 2445	800	3	Washer, M3 Fender
315 2683	812	8	Screw, M5 x 12
315 2514	-001	4	Rubber Feet



mechtronics

©2002 Aigis Mechtronics

1124 Louise Road, Winston-Salem, NC 27107-5450

Tel: 336.785.7740 Fax: 336.785.7744

100 0029 001 AIG 10/02

Data subject to change without notice

Printed in U.S.A.