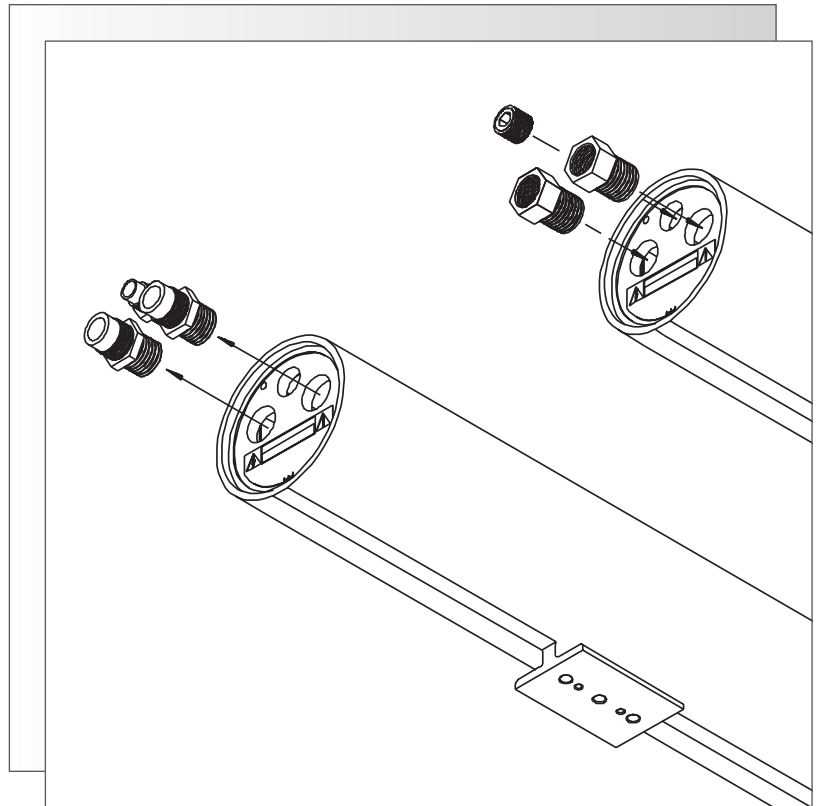


PG CONVERSION KIT



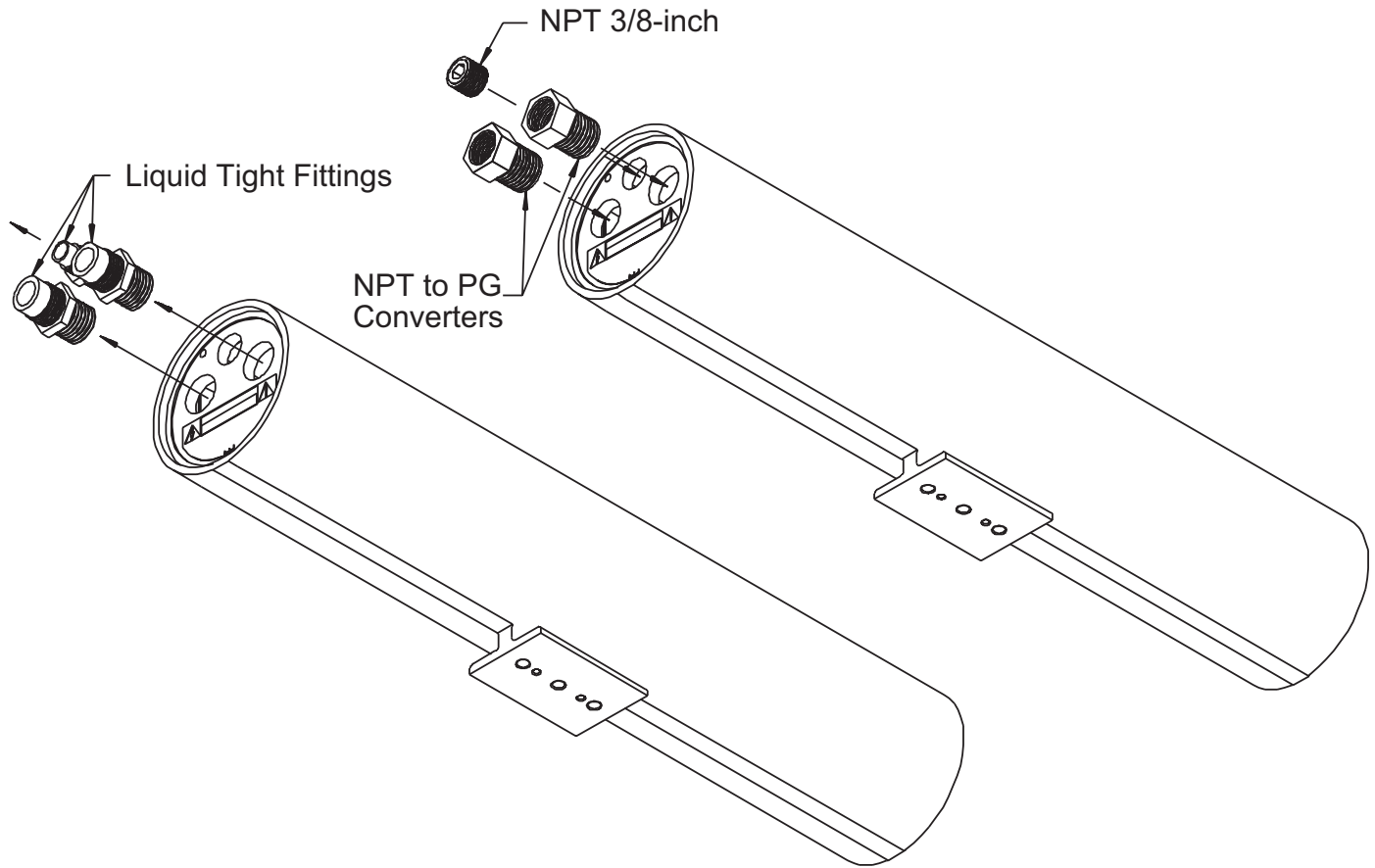
HS9384NPT

1 INSTALLATION

HS9384NPT: For use with HS9384 Series Housings.

Item	Quantity
1/2-inch NPT to PGI I Converter	2
3/8-inch NPT Plug	1

Remove the three liquid tight fittings from the rear of the housing. Insert the two 1/2-inch NPT to PGI I converters into the two 1/2-inch NPT (large) holes. Tighten. Insert the NPT 3/8-inch plug into the NPT 3/8-inch (small) hole. Tighten.



mechtronics

©2002 Aigis Mechtronics

1124 Louise Road, Winston-Salem, NC 27107-5450

Tel: 336.785.7740 Fax: 336.785.7744

100 0030 001 AIG 10/02

Printed in U.S.A.

Data subject to change without notice