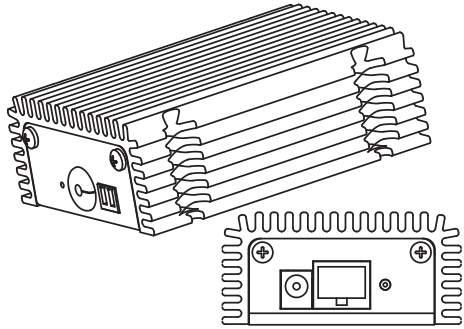


## IP MICRO CAMERA



## IP Micro Series MCHIP1-POE-20

## SAFETY PRECAUTIONS



**CAUTION**  
RISK OF ELECTRIC SHOCK. DO NOT OPEN!



**CAUTION: TO REDUCE THE RISK OF ELECTRICAL SHOCK, DO NOT OPEN COVERS. NO USER SERVICEABLE PARTS INSIDE. REFER SERVICING TO QUALIFIED SERVICE PERSONNEL.**



This label may appear on the bottom of the unit due to space limitations.

The lightning flash with an arrowhead symbol within an equilateral triangle is intended to alert the user to the presence of uninsulated "dangerous voltage" within the product's enclosure that may be of sufficient magnitude to constitute a risk of electric shock to persons.



The exclamation point within an equilateral triangle is intended to alert the user to presence of important operating and maintenance (servicing) instructions in the literature accompanying the appliance.



**Attention:** Installation should be performed by qualified service personnel only in accordance with the National Electrical Code or applicable local codes.



**WARNING: TO PREVENT FIRE OR SHOCK HAZARD, DO NOT EXPOSE UNITS TO RAIN OR MOISTURE.**

## 1. UNPACKING

Unpack carefully. This is an electromechanical device and should be handled carefully. Remove all of the items from the box.

Check to ensure that the item number ordered is included:

Unpacking:

- 1 x MCHIP1-POE-20 Housing connected to 20M video cable
- 1 x CMOS Camera
- 1 x 12VDC Power Supply
- 1 x Compact Disc

## 2. SERVICE

If the unit needs repair service or parts contact Aigis for authorization to return and shipping instructions.

## 3. DESCRIPTION

The IP Micro Camera Series are covert surveillance and remote monitoring IP Micro Cameras requiring a mere 1/16" viewing window and offering a complete built-in web server. The IP Micro Camera makes the video available on the network as real-time, full frame rate Motion JPEG and/or MPEG-4 video. With a Power-Over-Ethernet capability it is designed for plug and play use in covert security environments.

**Construction/Finish:** Black anodized aluminum heat sink and sheet metal base.

## 4. INSTALLATION

**Attention: Installations should be performed by qualified service personnel only in accordance with the National Electrical Code or applicable local codes.**

### 4.1 Installing the IP Micro Camera

1. Remove all items from packaging.
2. Plug the Camera connector into the mating connector at the end of the 20M video cable.



**CAUTION:**

Be careful not to insert the camera cable into the mating connector upside down. There is a tab on one connector and a slot on the mating connector.

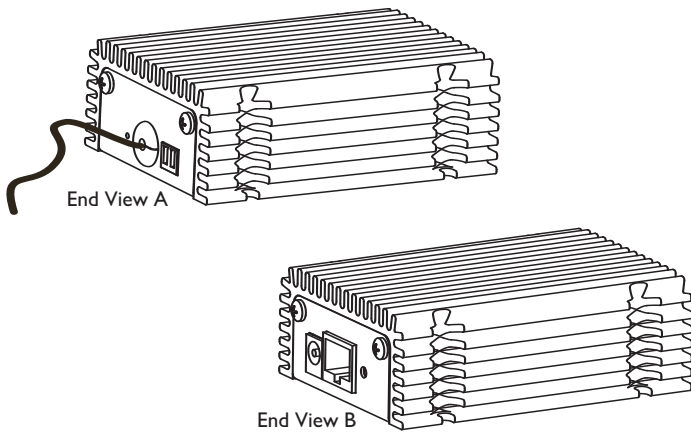
There is also a white line painted on one side of each connector. Ensure that the tab and slot are aligned, and that both white lines are on the same side when connecting the camera to the video cable.

3. Connect a power supply to the housing (either 12VDC or POE).
4. Plug a Cat-5e/6 cable into the Ethernet jack in the unit and connect the cable into your network.
5. A software application is included with the unit that isolates the IP address of the camera and allows quick access to the video output. Insert the Compact Disc into a computer on the same network segment as the device.
6. An Autorun program will bring up a menu with links to the contents of the CD. Click on "IP Utility" to locate the camera.
7. The program will search for compatible IP devices on the network. Click the blue link that states the IP address of the camera under the WAN IP or the LAN IP column.
  - a. If the IP Utility displays the IP address of the camera, but clicking on the address does not bring up a new Internet Explorer window, navigate back to the Autorun window and select the Documents link. Open the file "Firmware\_User\_Manual" and follow the instructions on page 3 to troubleshoot the problem.
  - b. Ensure that the machine running the IP Utility is not connected to any networks other than the network containing the MCHIPI-POE-20 (e.g. The IP Utility will not locate the camera when a laptop is connected to a wireless network and the housing is directly connected via a network cable). Disconnect from any such network and re-initialize the IP Utility program to proceed.

8. Clicking the IP address launches the configuration software in an Internet Explorer window.
9. Enter the default account name and password.
  - a. Default Account: Admin
  - b. Default Password: 123456
10. The streaming video will then be displayed in the web page. Refer to the full length manual for additional information.

**Note:** Additional instructions are provided on the Compact Disc.

Insert the Compact Disc into a computer and click the “Documents” link. Open the PDF file titled “Firmware\_User\_Manual” for more detailed setup and configuration instructions.



**Figure 1: IP Mini Cam - MCHIP1-POE-20**

## 4.2 Network Video Recorder Installation

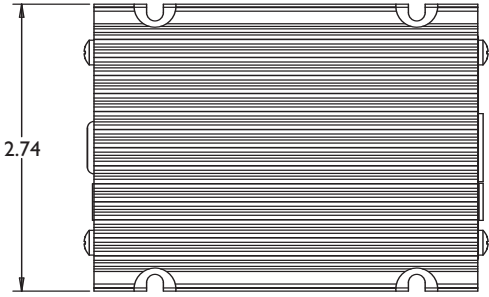
1. Included with this unit is a free Network Video Recorder (NVR) software package. The following two versions of the software are included:
  - a. NVR Enterprise is designed to run on a server that will house the recorded data. Multiple computers can access the program via Internet Explorer. These clients, depending on assigned permissions, can view the video output, adjust configuration settings, and setup the recording preferences from any location on the network. The program is available at no cost and can record up to 16 channels. Licenses are available to utilize 32, 48 or 64 channels. Contact an Aigis Mechtronics Sales Representative for additional information.
  - b. NVR Professional is a standalone client that is installed on the same computer that will store the recorded data. Outside clients cannot access the NVR controls, but can view individual cameras by using the IP Utility program to access the video feeds. The camera configuration settings and recording options can only be adjusted by the computer running the NVR Professional software. The program can record up to 64 channels at no extra cost.
2. The software is located on the Compact Disc included with the camera. Insert the CD and click on NVR Enterprise or NVR Professional to launch the installation program. For installation instructions, click the Documents link and open the PDF file titled "NVR\_Quick\_Installation\_Guide\_v2.1".

## 4.3 Minimum Computing Requirements to run the NVR Software

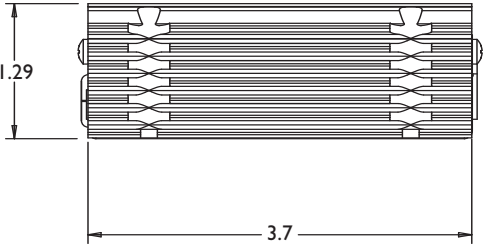
<b>Operating Systems</b>	Windows XP SP2, Windows 2003 Server, WSS2003, Windows Vista
<b>Web Browsers</b>	Internet Explorer v6.0 or v7.0
<b>CPU</b>	Intel Core 2 Duo, 2.66 GHz (2.4 GHz for 16 channel version)
<b>Memory</b>	1.0 GB for 16 Ch., 2.0 GB for 32 Ch., 4.0 GB for 48 or 56 Ch.
<b>Hard Drive</b>	250 GB
<b>Video Card</b>	nVidia 7600 chipset w/ 256 MB (AMD and X64 series chips are, at the time of this writing, not tested and not recommended)
<b>Screen Resolution</b>	Minimum 1024 x 768 display resolution

# 5. DIMENSIONAL OUTLINE

Top View  
Width Dimension



Side View  
Length and Height Dimensions



**MCHIP1-POE-20**



©2008 Aigis Mechtronics

1124 Louise Road Winston-Salem, NC 27107-5450

Tel: 336.785.7740 Fax: 336.785.7744

100 0187 003 AIG 08/08

Printed in U.S.A.

Data subject to change without notice