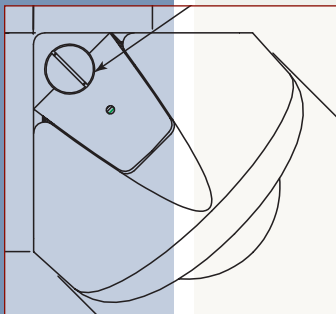
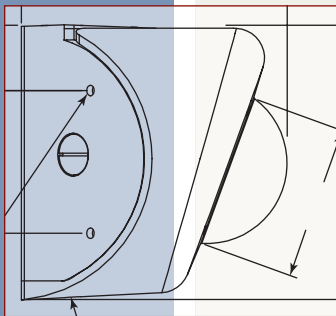
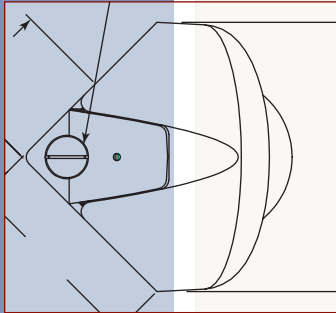




- **Withstands 120 lbs of Direct Force on the Polycarbonate Dome**
- **Integral Camera - built to your specifications**
- **Available in Standard or Brushed Aluminum Finishes**
- **24 VAC with Line-lock & Phase Adjust**
- **All-in-one Package with No Separate Corner Bracket Required**

MiniLine Vandal Resistant Aluminum Corner Housings



MLAC Series

As an extension of the MiniLine products, Aigis offers a corner-mounted version of the high security grade, aluminum dome. The MLAC Series Corner model offers the same camera protection with a discrete design that works well in most indoor corner applications. It comes in both a standard white aluminum finish and a brushed aluminum version that resembles stainless steel for use in lobbies, elevators, and other design-specific locations.

Like the standard MLA Series, the MLAC Corner Series includes a full-featured camera/lens combination in a cast aluminum housing (with the strength of 10 gauge steel) and polycarbonate bubble that can withstand the equivalent of 120 lbs of force. The unit can also endure 300 lbs of weight if an attempt was made to pull the unit down from a masonry wall, provided that the recommended mounting bolts are employed.

The MLAC's flexible varifocal camera makes it an ideal replacement for traditional camera installations, where extra security is required. Its sleek design, choice of finishes, and small, inconspicuous appearance provides an attractive look for use in a variety of applications.

ORDERING GUIDE

Order the camera that meets your needs. Start with the product category, then specify your power requirements. Select from the options available to complete your custom camera. If you need further customization - call the factory with your exact specification requirements.

EXAMPLE: MLAC2CH24F

category	power	mono/color	resolution	lens range	video out	finish
MLAC	2	C	H	24	F	-
MiniLine Aluminum Corner-Mount	1 - 24V/50Hz 2 - 24V/60Hz	C - Color M - Monochrome	S - Standard H - High	2 - 2.1mm lens 3 - 3mm lens 6 - 6mm lens 8 - 8mm lens 24 - 2.4mm lens 26 - 2.6mm lens 36 - 3.6mm lens 210 - 2.8-10mm lens	F - Fiber Optic N - Network UTP	SS - Stainless (brushed aluminum) White finish standard

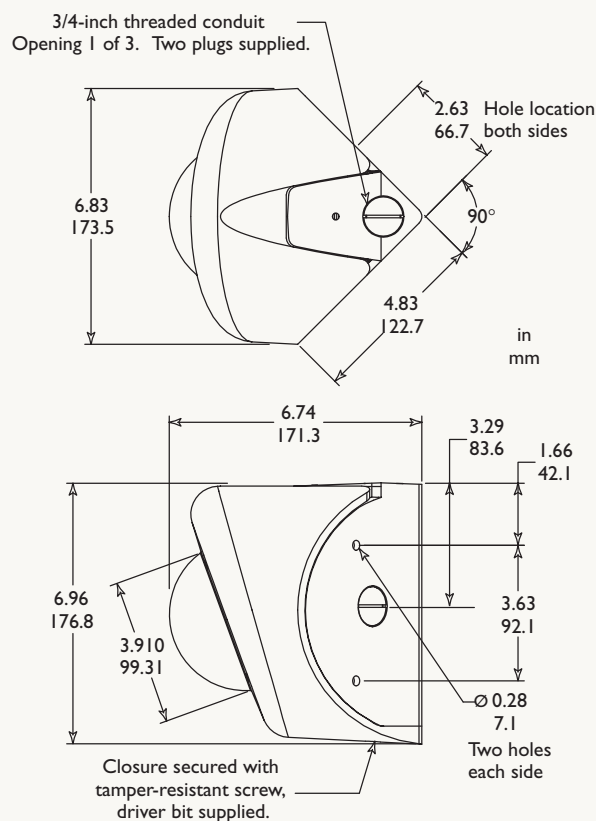
SPECIFICATIONS

CAMERA SPECIFICATIONS					
		monochrome		color	
OPTION		-MS	-MH	-CS	-CH
Horizontal Resolution		380 TVL	570 TVL	330 TVL	480 TVL
Voltage Range	-1	fixed lens 12-24 VAC or 12-36 VDC, 50 Hz varifocal lens 21-27 VAC or 11-13 VDC, 50 Hz			
	-2	fixed lens 12-24 VAC or 12-36 VDC, 60 Hz varifocal lens 21-27 VAC or 11-13 VDC, 60 Hz			
Power		3W			
Sensitivity minimum scene illumination f/1.2 lens, 50 IRE		fixed lens 0.2 lux varifocal lens 0.12 lux		fixed lens 1.6 lux varifocal lens 1.2 lux	
Imager		1/4-inch Image Format; Interline Transfer CCD			
System	-1	CCIR		PAL	
	-2	EIA		NTSC	
Signal to Noise		48dB			
Electronic Shutter		1/50 (1/60 EIA) to 1/100,000			
Backlight Compensation		Selectable On/Off Control			
White Balance		N/A		Automatic Sensing through the Lens (TTL System): +2700 K to 9000 K.	
Video Output		Composite; 1.0Vp-p, 75ohm			
Synchronization	AC	Line-lock: (AC supplied)			
	DC	Crystal-lock: (DC supplied or Line-Lock off)			
Phase Adjust		0° to 330°			
Connector	Video	BNC			
	Power	In-line push wire connectors			
Controls	Fixed	Line lock on/off; ATW/AWB hold; BLC on/off			
	Varifocal	Iris - DL/AE AGC - on/off BLC - on/off Sync mode - INT/L.L.		Iris - DL/AES Flickerless - on/off BLC - on/off Sync mode - INT/L.L.	
Options	-F	Includes fiber optic transmitter compatible with the following receivers: IFS VR2200, VRI 100 and Bosch LTC 4642/60			
	-N	Includes unshielded twisted pair transmitter compatible with NVT receivers. Permits video transmission of up to 1000 ft when passive receiver is used & 3000 ft when active receiver is used.			

LENS SPECIFICATIONS				
OPTION	Focal Range	Iris Range	Iris/Shutter	Format
-2	2.1mm	f/2.0	Electronic Shutter	1/4-inch
-3	3mm			
-6	6mm			
-8	8mm			
-24	2-4mm	f/1.6 - 200	DC Auto Iris	1/3-inch
-26	2.6-6mm			
-36	3-6mm	f/1.2 - 360		1/4-inch
-210	2.8-10mm			

MECHANICAL SPECIFICATIONS				
Housing	Construction		Polycarbonate dome (with light tint) on custom cast aluminum housing.	
	Finish		Powder coated white finish standard. Custom finishes available.	
		-SS	Stainless Steel look - brushed aluminum finished	
	Weight		0.9 lb (0.4 kg)	
Cable Entry			Three 3/4-inch conduit knockouts - two plugs provided. Set screw located at top of housing to secure top conduit plug.	
Mounting	Corner Mount		Mounts on wall using four (4) 6 mm (1/4-inch) screws. Cover is secured with one tamper-resistant screw. Driver bit is provided.	
	Mount			
ENVIRONMENTAL RATED FOR INDOOR USE				
Temperature	Operating		+14 °F to +122 °F (-10 °C to +50 °C)	
	Storage		-4 °F to +122 °F (-20 °C to +50 °C)	
Humidity			0% to 90% relative, noncondensing.	
ELECTROMAGNETIC COMPATIBILITY				
Electromagnetic Compatibility	EMC		CD Immunity, FCC Class A.	
	Safety		CE, UL, cUL	

MLAC Series - Dimensional Drawing





mechtronics

©2003 Aigis Mechtronics

1124 Louise Road, Winston-Salem, NC 27107-5450

Tel: 336.785.7740 Fax: 336.785.7744

www.aigismech.com

Data subject to change without notice

04/04 rev_01
Printed in U.S.A.