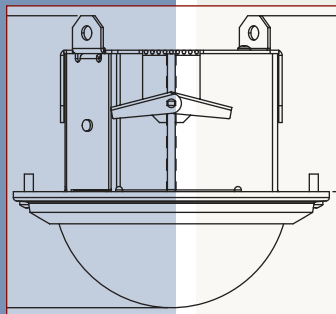
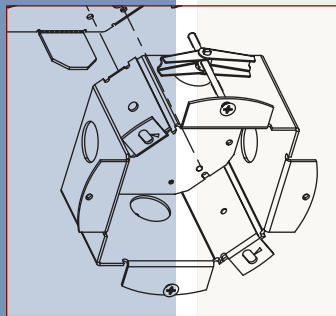
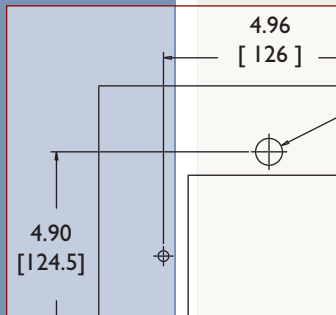




- Full Featured Camera in a Compact Aluminum Plenum Box & 3.9-inch Polycarbonate Dome
- Endures the Equivalent of 120 lbs of Force
- Fixed or Varifocal Integrated Lenses
- Fits into Standard 4" x 4" (double) Electrical Box
- Line-lock with Phase Adjustment

MiniLine Vandal Resistant Recessed Mount Domes



MLAR Series

The Aigis MLAR recessed mount vandal resistant line offers a quality camera in a compact, unobtrusive package. The majority of this unit mounts into a wall or ceiling with only the small, 3.9-inch polycarbonate dome exposed. The back box is small enough to mount directly into a 4 x 4 -inch electrical box or on its own using a specially designed dust cover that guards against dust and ensures the unit's plenum rating. This cover allows the installer to utilize any of the four pre-cut conduit holes while the other holes remain covered by the innovative "break-away" conduit cover tabs.

The MLAR series arrives ready to use by offering a pre-installed 1/4-inch standard or high resolution, color or monochrome camera with an integrated fixed or vari-focal lens. All versions accept both AC and DC voltages. If AC is employed, the user can take advantage of its line-locking and phase adjustment capabilities. Backlight compensation can also be adjusted on all models.

ORDERING GUIDE

Order the camera that meets your needs. Start with the product category, then specify your power requirements. Select from the options available to complete your custom camera. If you need further customization - call the factory with your exact specification requirements.

EXAMPLE: MLAR1CH24N

category	power	mono/color	resolution	lens range	video out	finish
MLAR	I	C	H	24	N	-
MiniLine Aluminum Recessed Mount	I - 24V/50Hz 2 - 24V/60Hz	C - Color M - Monochrome	S - Standard H - High	2 - 2.1mm lens 3 - 3mm lens 6 - 6mm lens 8 - 8mm lens 24 - 2-4mm lens 26 - 2-6mm lens 36 - 3-6mm lens 210 - 2.8-10mm lens	N - Network UTP	B - Black Trim Ring White finish standard

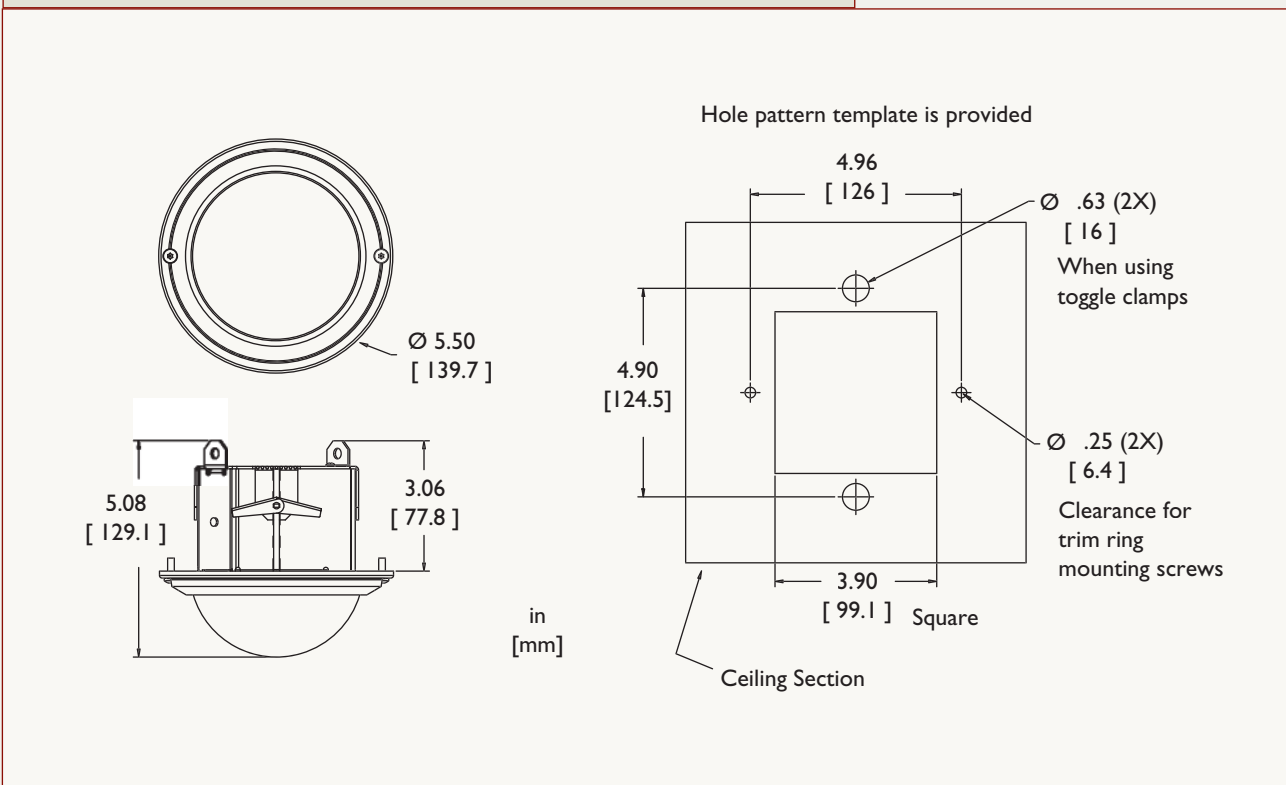
SPECIFICATIONS

CAMERA SPECIFICATIONS				
		monochrome		color
OPTION		-MS	-MH	-CS -CH
Horizontal Resolution		380 TVL	570 TVL	330 TVL 480 TVL
Voltage Range	-1	fixed lens 12-24 VAC or 12-36 VDC, 50 Hz varifocal lens 21-27 VAC or 11-13 VDC, 50 Hz		
	-2	fixed lens 12-24 VAC or 12-36 VDC, 60 Hz varifocal lens 21-27 VAC or 11-13 VDC, 60 Hz		
Power		3W		
Sensitivity minimum scene illumination f/1.2 lens, 50 IRE		fixed lens 0.2 lux varifocal lens 0.12 lux		fixed lens 1.6 lux varifocal lens 1.2 lux
Imager		1/4-inch Image Format; Interline Transfer CCD		
System	-1	CCIR		PAL
	-2	EIA		NTSC
Signal to Noise		Fixed - 48dB		Varifocal - more than 50dB
Electronic Shutter		1/50 (1/60 EIA) to 1/100,000		
Backlight Compensation		Selectable On/Off Control		
White Balance		N/A		Automatic Sensing through the Lens (TTL System): +2700 K to 9000 K.
Video Output		Composite; 1.0 Vp-p, 75ohm		
Synchronization	AC	Line-lock: (AC supplied)		
	DC	Crystal-lock: (DC supplied or Line-Lock off)		
Phase Adjust		0° to 330°		
Connector	Video	BNC		
	Power	In-line push wire connectors		
Controls	Fixed	Line lock on/off; ATW/AWB hold; BLC on/off		
	Varifocal	Iris - DL/AE AGC - on/off BLC - on/off Sync mode - INT/L.L.		Iris - DL/AES Flickerless - on/off BLC - on/off Sync mode - INT/L.L.
Options		-N Includes unshielded twisted pair transmitter compatible with NVT receivers. Permits video transmission of up to 1000 ft when passive receiver is used & 3000 ft when active receiver is used.		

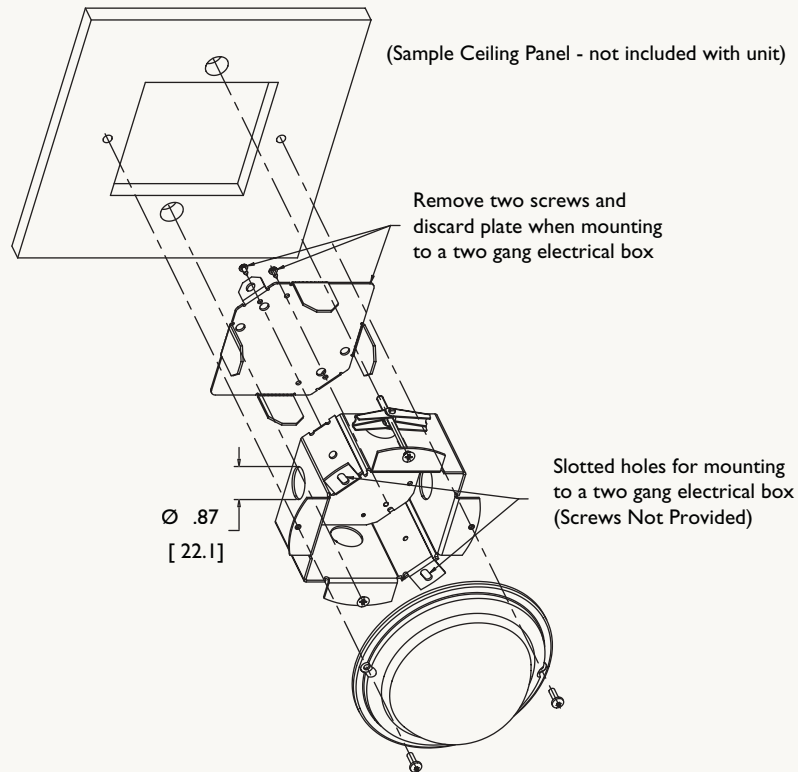
LENS SPECIFICATIONS				
OPTION	Focal Range	Iris Range	Iris/Shutter	Format
-2	2.1mm	f/2.0	Electronic Shutter	1/4-inch
-3	3mm			
-6	6mm			
-8	8mm			
-24	2-4mm	f/1.6 - 200	DC Auto Iris	1/3-inch
-26	2.6-6mm			
-36	3-6mm	f/1.2 - 360		1/4-inch
-210	2.8-10mm			

MECHANICAL SPECIFICATIONS			
Housing	Construction		Polycarbonate dome (with light tint) on a metal back box with plenum dust cover.
	Finish		Standard: Powder coated white finish. Custom finishes available.
		-B	
	Weight		1.6 lbs (0.7 kg)
Cable Entry			3/4-inch conduit knockout through side or back
Mounting	Surface Mount		Mounts on wall or ceiling using up to four #10 screws.
ENVIRONMENTAL RATED FOR INDOOR USE			
Temperature	Operating		+14 °F to +122 °F (-10 °C to +50 °C)
	Storage		-4 °F to +122 °F (-20 °C to +50 °C)
Humidity			0% to 80% relative, noncondensing.
ELECTROMAGNETIC COMPATIBILITY			
Electromagnetic Compatibility	EMC		CD Immunity, FCC Class A.
	Safety		UL, cUL

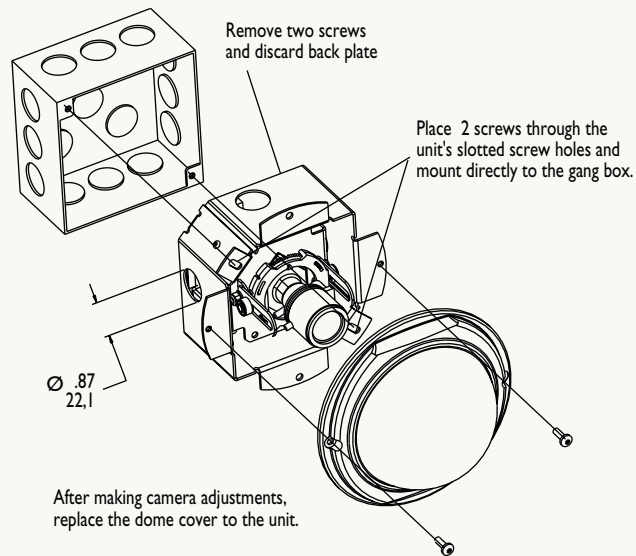
MLAR SERIES - DIMENSIONAL DRAWING



MLAR SERIES WALL/CEILING INSTALLATION



MLAR SERIES ELECTRICAL BOX INSTALLATION



mechtronics

©2004 Aigis Mechtronics

1124 Louise Road, Winston-Salem, NC 27107-5450

Tel: 336.785.7740 Fax: 336.785.7744

www.aigismech.com

Data subject to change without notice

04/04 rev_01
Printed in U.S.A.