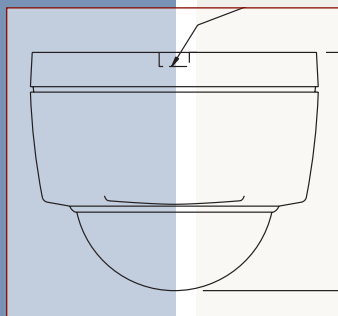
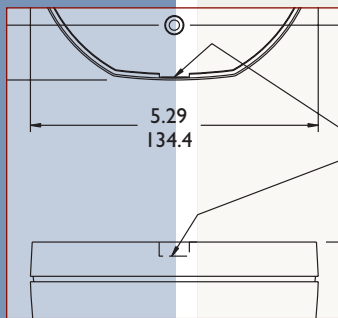
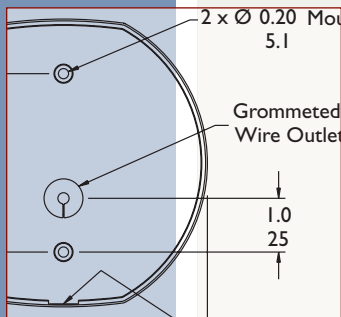




- Fixed Cameras in 3.6 inch (90 mm) Domes
- 1/4-inch Format CCD Imager
- Variety of Fixed and Vari-focal lens options available
- Standard & High Resolution Models
- Backlight Compensation
- Line-lock with Phase Adjustment
- Accepts AC or DC Voltages

MiniLine Indoor Series Domes



MLP Series

The MLP Series Mini-Domes consist of a 1/4-inch CCD camera and lens combination in a small, discrete dome housing. Available options for this line include standard and high-resolution color and monochrome cameras with a variety of fixed and varifocal lenses. All models also offer backlight compensation.

These compact Mini Domes come ready to use and easily mount to ceilings and walls and are configured for use with a single gang electrical box if desired. For recessed mounting, an optional mounting kit (MLR) is available.

Enhanced picture quality, true color reproduction and outstanding reliability make these domed cameras an excellent choice for professional, commercial, and industrial surveillance systems in indoor applications.

ORDERING GUIDE

Order the camera that meets your needs. Start with the product category, then specify your power requirements. Select from the options available to complete your custom camera. If you need further customization - call the factory with your exact specification requirements.

EXAMPLE: MLP1CH26N

| category | power | mono/color | resolution | lens range | video out |
|-------------------------|--|---|--|--|------------------------|
| MLP | I | C | H | 26 | N |
| MiniLine Plastic | 1 - 24V/50Hz 2 - 24V/60Hz | C - Color M - Monochrome | S - Standard H - High | 2 - 2.1mm lens 3 - 3mm lens 6 - 6mm lens 8 - 8mm lens 24 - 2-4mm lens 26 - 2-6mm lens 36 - 3-6mm lens 210 - 2.8-10mm lens | N - Network UTP |

SPECIFICATIONS

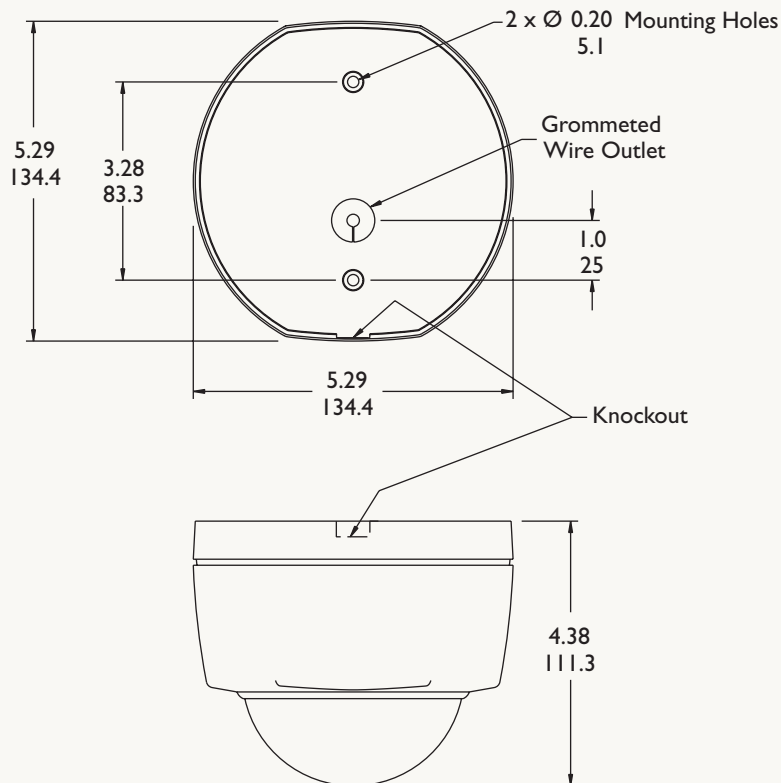
| CAMERA SPECIFICATIONS | | | | | |
|---|-----------|---|---------|---|---------|
| | | monochrome | | color | |
| OPTION | | -MS | -MH | -CS | -CH |
| Horizontal Resolution | | 380 TVL | 570 TVL | 330 TVL | 480 TVL |
| Voltage Range | -1 | fixed lens 12-24 VAC or 12-36 VDC, 50 Hz varifocal lens 21-27 VAC or 11-13 VDC, 50 Hz | | | |
| | -2 | fixed lens 12-24 VAC or 12-36 VDC, 60 Hz varifocal lens 21-27 VAC or 11-13 VDC, 60 Hz | | | |
| Power | | 3W | | | |
| Sensitivity minimum scene illumination f/1.2 lens, 50 IRE | | fixed lens 0.2 lux varifocal lens 0.12 lux | | fixed lens 1.6 lux varifocal lens 1.2 lux | |
| Imager | | 1/4-inch Image Format; Interline Transfer CCD | | | |
| System | -1 | CCIR | | PAL | |
| | -2 | EIA | | NTSC | |
| Signal to Noise | | 48dB | | | |
| Electronic Shutter | | 1/50 (1/60 EIA) to 1/100,000 | | | |
| Backlight Compensation | | Selectable On/Off Control | | | |
| White Balance | | N/A | | Automatic Sensing through the Lens (TTL System): +2700 K to 9000 K. | |
| Video Output | | Composite; 1.0Vp-p, 75ohm | | | |
| Synchronization | AC | Line-lock: (AC supplied) | | | |
| | DC | Crystal-lock: (DC supplied or Line-Lock off) | | | |
| Phase Adjust | | 0° to 330° | | | |
| Connector | Video | BNC | | | |
| | Power | In-line push wire connectors | | | |
| | Fixed | Line lock on/off; ATW/AWB hold; BLC on/off | | | |
| Controls | | Iris - DL/AE AGC - on/off BLC - on/off Sync mode - INT/L.L. | | Iris - DL/AES Flickerless - on/off BLC - on/off Sync mode - INT/L.L. | |
| | Varifocal | | | | |
| Options | | -N Includes unshielded twisted pair transmitter compatible with NVT receivers. Permits video transmission of up to 1000 ft when passive receiver is used & 3000 ft when active receiver is used. | | | |

| LENS SPECIFICATIONS | | | | |
|---------------------|-------------|-------------|--------------------|----------|
| OPTION | Focal Range | Iris Range | Iris/Shutter | Format |
| -2 | 2.1mm | f/2.0 | Electronic Shutter | 1/4-inch |
| -3 | 3mm | | | |
| -6 | 6mm | | | |
| -8 | 8mm | | | |
| -24 | 2-4mm | f/1.6 - 200 | DC Auto Iris | 1/3-inch |
| -26 | 2.6-6mm | | | |
| -36 | 3-6mm | f/1.2 - 360 | | 1/4-inch |
| - 210 | 2.8-10mm | | | |

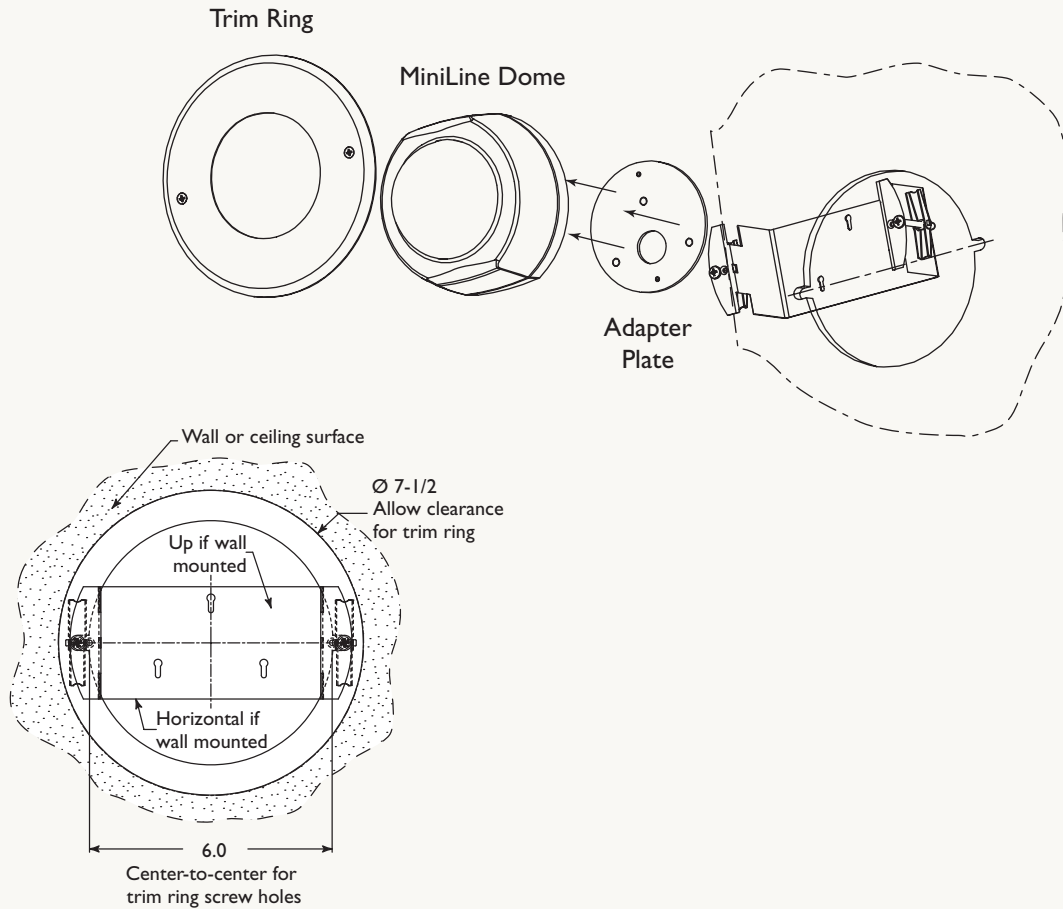
| MECHANICAL SPECIFICATIONS | | |
|-------------------------------|---------------|---|
| Housing | Construction | Acrylic dome (with light tint) on molded plastic housing. |
| | Finish | White |
| | Weight | 0.9 lb (0.4 kg) |
| Cable Entry | | Push Wire Connectors |
| Mounting | Surface Mount | Mounts on wall or ceiling. (Recessed mounting kit available, MLR) |
| ENVIRONMENTAL | | |
| | | Rated for Indoor Use only |
| Temperature | Operating | +14 °F to +122 °F (-10 °C to +50 °C) |
| | Storage | -4 °F to +122 °F (-20 °C to +50 °C) |
| Humidity | | 0% to 90% relative, noncondensing. |
| ELECTROMAGNETIC COMPATIBILITY | | |
| Electromagnetic Compatibility | EMC | CE Immunity, CE Emission Class A, CD Immunity, FCC Class A. |
| | Safety | CE, UL, cUL |

ACCESSORIES: **MLR** Mounting Kit for recessed mounting. (See drawing.)

MLP Series Dimensional Drawing



MLR - Recessed Mounting Kit Accessory



mechtronics

©2003 Aigis Mechtronics

1124 Louise Road, Winston-Salem, NC 27107-5450

Tel: 336.785.7740 Fax: 336.785.7744

www.aigismech.com

Data subject to change without notice

04/04 rev_01
Printed in U.S.A.