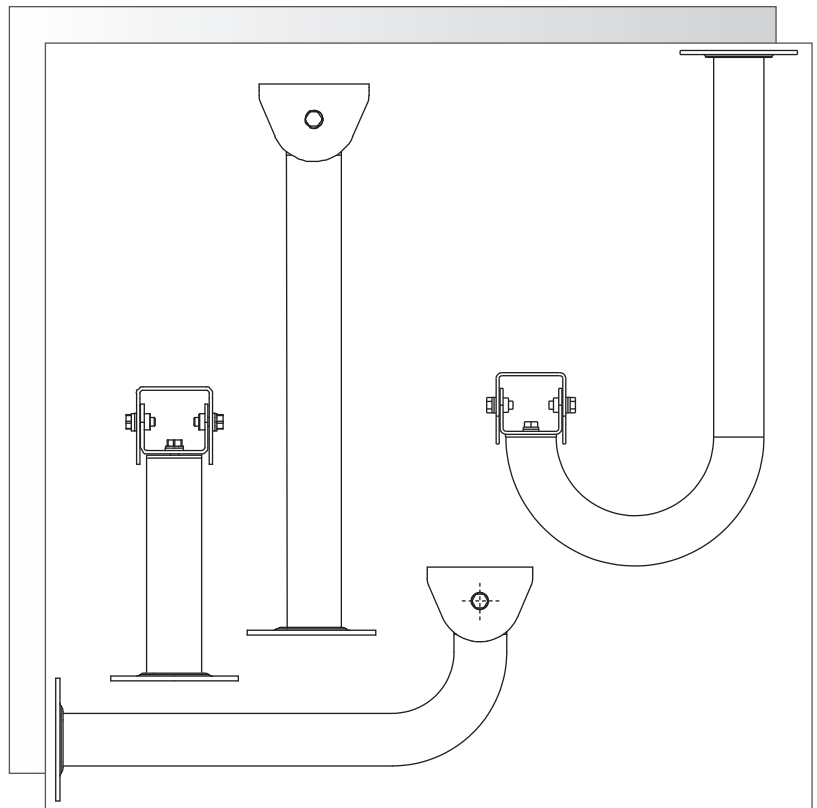


INDOOR /OUTDOOR HOUSING MOUNTS



**MT9210, MT9212,
MT9218, MT9219,
MT9223**

SAFETY PRECAUTIONS



The exclamation point within an equilateral triangle is intended to alert the user to presence of important operating and maintenance (servicing) instructions in the literature accompanying the appliance.

SECURITE



Le point d'exclamation à l'intérieur d'un triangle équilatéral avertit l'utilisateur de la présence d'instructions importantes d'utilisation et de maintenance dans la documentation accompagnant l'appareil.

SICHERHEITSVORKENHRUNGEN



Das Ausrufezeichen in dem gleichseitigen Dreieck ist dazu da, den Benutzer auf wichtige Inbetriebnahme- und Instandhaltungs-vorschriften hinzuweisen, die dem Gerät in Form einer Broschüre beigelegt sind.

PRECAUCIONES DE SEGURIDAD



El símbolo de exclamación dentro de un triángulo equilátero, se muestra con el objetivo de alertar al usuario de que instrucciones de operación y mantenimiento importantes acompañan al equipo.

1 UNPACKING

Unpack carefully. This is mechanical equipment and should be handled with care.

Check for the following items:

- Verify the unit model number.
- Instructions for Use.

If an item appears to have been damaged in shipment, replace it properly in its carton and notify the shipper. If any items are missing, notify Aigis Mechtronics.

The shipping carton is the safest container in which the unit may be transported. Save it for possible future use.

2 SERVICE

If the unit ever needs repair service, the customer should contact Aigis Mechtronics for authorization to return and shipping instructions.

3 DESCRIPTION

MT9210 20-cm (8-in) Column Mount

MT9212 30-cm (12-in) Wall Mount

MT9223 60-cm (24-in) Column Mount

MT9219 40-cm (15-in) J-Mount

MT9218 Corner Mount

This series of indoor/outdoor mounting equipment is designed for fixed camera or camera housing installations up to 9 kg (20 lb) rated load. All five models are made of lightweight aluminum and feature welded construction providing an extremely rigid camera mount. They have been designed and styled for the HS948x Series camera housings. All mounts come fully assembled.

4 INSTALLATION

1. Determine a secure wall mounting location.



WARNING: All mounts are designed to support a load only in a vertical direction. Mounts **MUST** be positioned as shown under **SPECIFICATIONS**.

2. **Cautions:**

- a. For a secure installation use four 8-mm (5/16-in) diameter fasteners (not included). Use stainless steel or zinc plated fasteners.
- b. If bolts are used, they should extend through the mounting surface and be secured with flat washers, lock washers, and nuts on the opposite side. Each bolt must have a minimum pull-out strength of 200 kg (450 lb).
- c. If studs are used, they should be anchored in concrete or welded to a steel backer plate. Each stud must have a minimum pull out strength of 200 kg (450 lb).
- d. If the wall mount is attached to wood or to a blind structure (with no access to the rear), each fastener must have a minimum pull-out strength of at least 200 kg (450 lb).

3. Locate the four holes or stud locations using the flange as a template (four holes equally spaced on a 69.9 mm (2-3/4 in) bolt circle).
4. Install the mount using bolts or studs at least 8-mm (5/16-in) in diameter.
5. To mount the camera or camera housing:
 - a. Mount camera with a 1/4-20 bolt and lock washer (not furnished) in the center hole of the adjustable head.
 - b. Mount housings with three 1/4-20 bolts and lock washers (not furnished).

5 SPECIFICATIONS

5.1 MT9210, MT9212, MT9218, MT9219, MT9223 Indoor/Outdoor Mounts

Maximum Load: 9 kg (20 lb).

Mounting Head: Adjustable. 360° pan, 180° tilt.

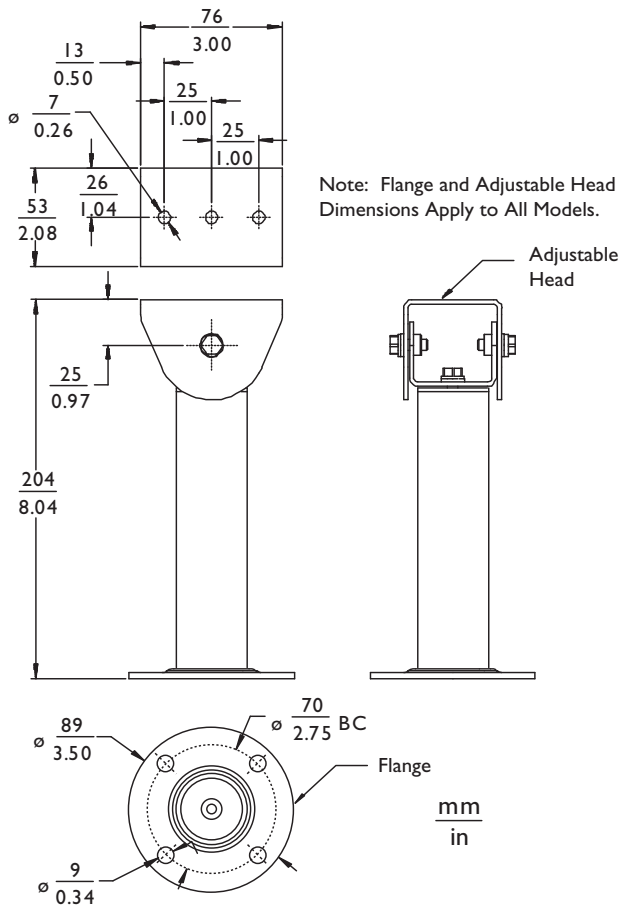
Finish: Light gray, semigloss polyurethane.



WARNING: All mounts must be mounted as shown.

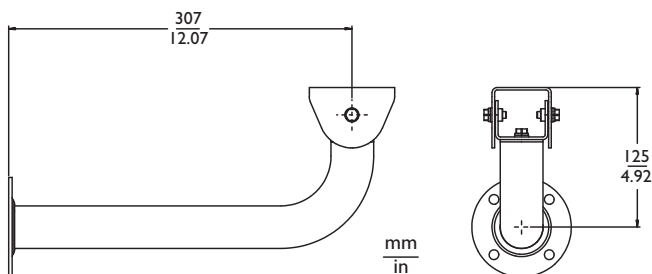
5.2 MT9210 20-cm (8-in) Column Mount

Approx. Weight: 300 g (0.6 lb).



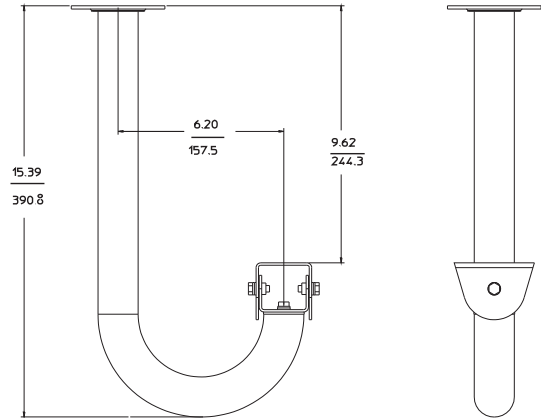
5.3 MT9212 30-cm (12-in) Wall Mount

Approx. Weight: 400 g (0.9 lb).



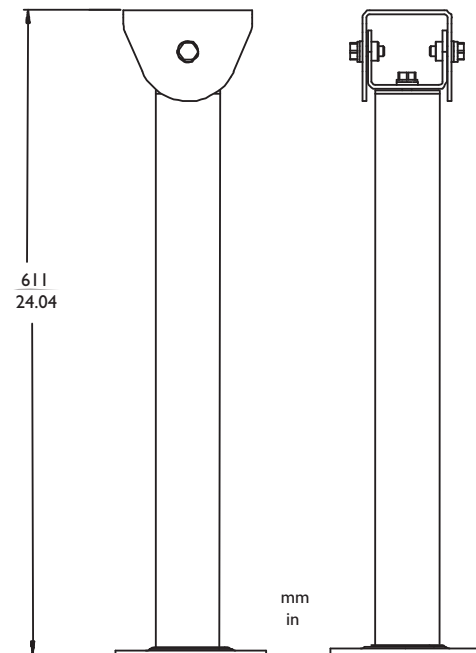
5.4 MT9219 40-cm (15-in) J-Mount

Approx. Weight: 550 g (1.2 lb).



5.5 MT9223 60-cm (24-in) Column Mount

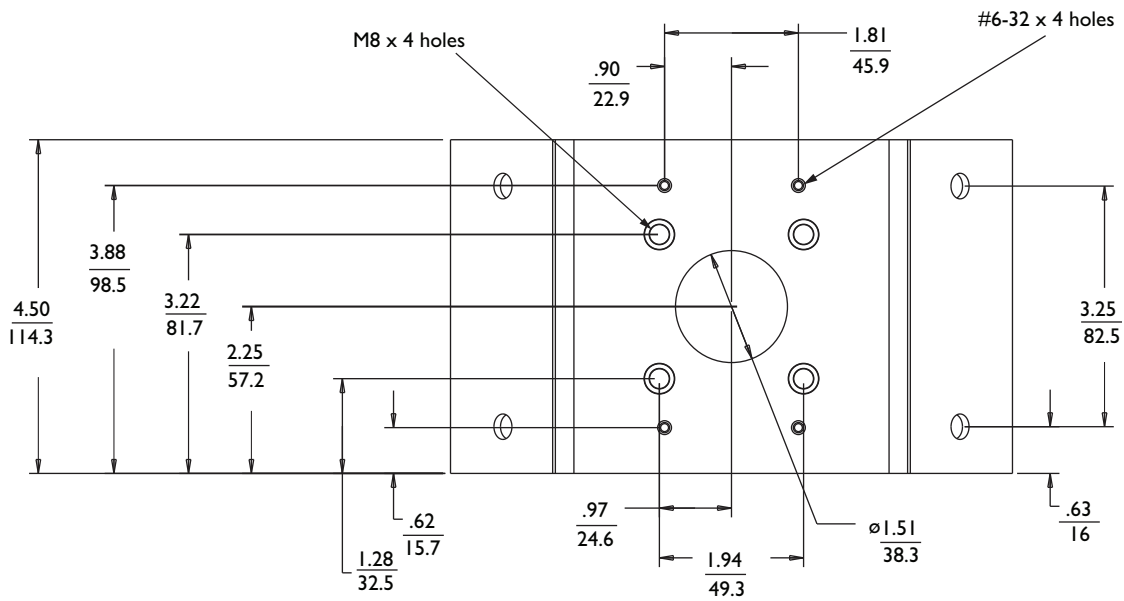
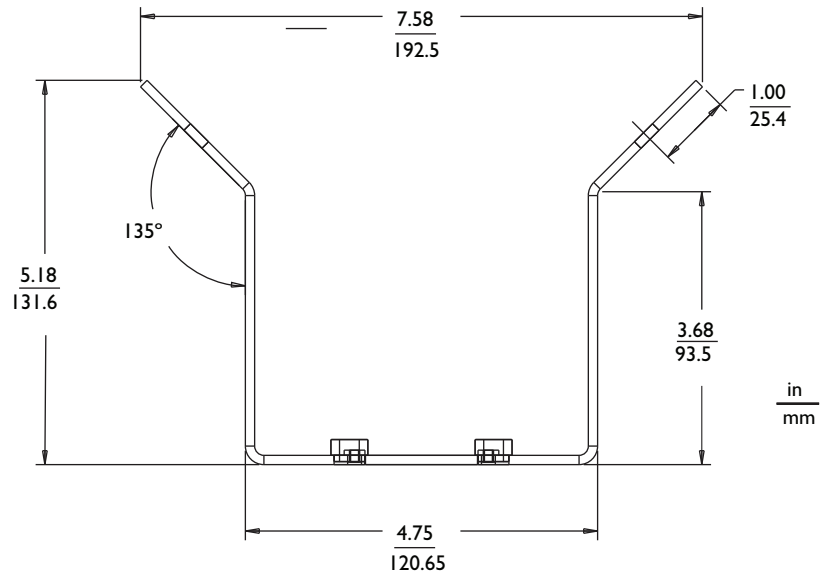
Approx. Weight: 600 g (1.3 lb).



5.6 MT9218 Corner Mount

Approx. Weight 550 g (1.2 lb).

Corner bracket mates with a wall mount and mounts to an "outside" corner.



mechtronics

©2010 Aigis Mechtronics

1124 Louise Road, Winston-Salem, NC 27107-5450

Tel: 336.785.7740 Fax: 336.785.7744

100 0043 002 AIG 01/10

Data subject to change without notice

Printed in U.S.A.