

- Cantilever Wall Mount for Monitors
- VESA Hole Pattern 100x100mm, 200x100mm, 200x200mm
- 180° Horizontal Adjustment
- Tilt Adjustment
- Rotation (Level Monitor) Adjustment
- Supports Up To 80 lbs Load

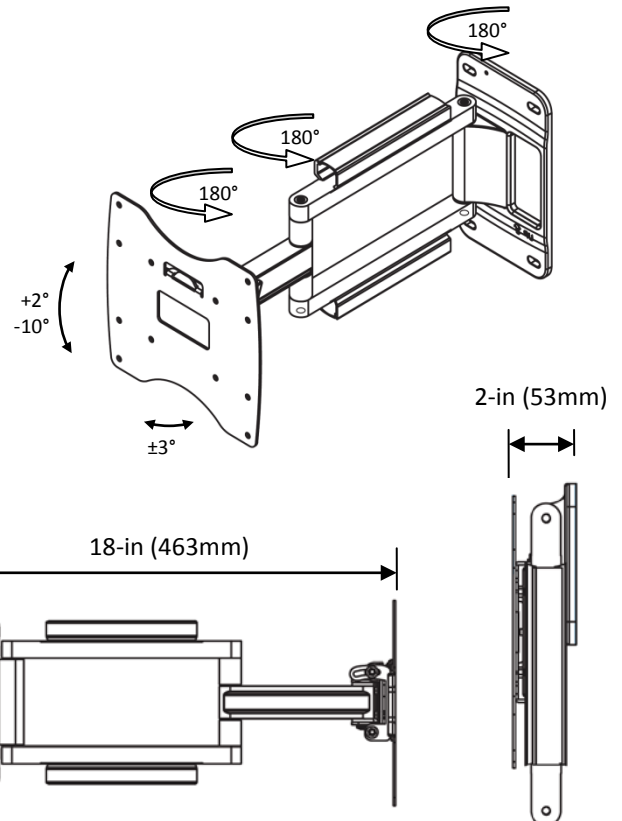
Heavy Duty Monitor Bracket Wall Mount



The MT-MWB200 is a heavy duty wall bracket for large monitors that have a VESA compliant mounting hole pattern. The bracket is 180° adjustable and can collapse in on itself to keep the monitor close to the wall. The bracket can support up to an 80-pound load. The bracket head can be tilted up or down and can be rotated a few degrees to square up (or level) the monitor.

Specifications

Part Number	MT-MWB200
Recommended Screen Sizes	23" –42"
Construction	Aluminum
Finish	Black Powder Coat
Horizontal Adjustment	180° (3 joints)
Vertical (Tilt) Adjustment	+2/-10°
Rotation (Level) Adjustment	±3°
Maximum Extension	18" (463mm)
Minimum Extension	2" (53mm)
VESA Hole Patterns	100x100mm 200x100mm 200x200mm
Maximum Load	80 lbs (36.3kg)



Dimensions

