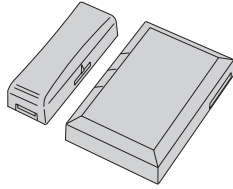


NAPMDW01

VANISHING 2 DOOR/WINDOW TRANSMITTER

Installation Instructions



Linear
Building On Innovation.

USA & Canada (800) 421-1587 & (800) 392-0123
(760) 438-7000 - Toll Free FAX (800) 468-1340
www.linearcorp.com

PRODUCT DESCRIPTION

The NAPMDW01 is a battery powered supervised stationary transmitter designed for use with NAPCO® GEM and GEM-C systems. This transmitter can be used in a variety of wireless security and remote control applications. Triggering the transmitter with its built-in magnetic switch sends a digitally coded wireless signal to its companion receiver.

The NAPMDW01 can send five different signal types: fault, restore, low battery, tamper, and status. Receivers must be programmed to the transmitter's code before system testing and operation. Refer to the receiver's instructions for details on programming.

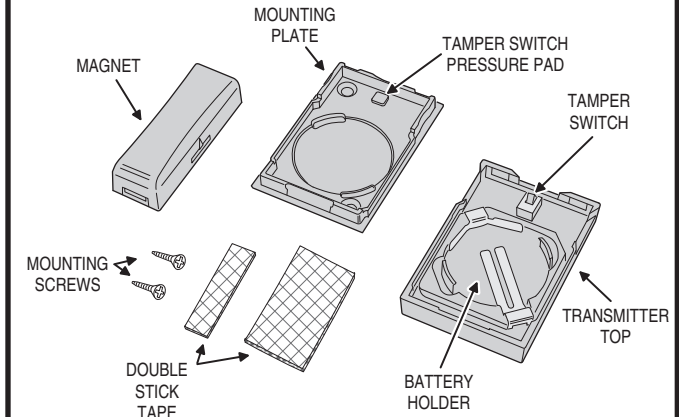
In a typical installation, the magnet is mounted on a door or window and the transmitter is mounted on the frame. When the door or window is opened, the magnet moves away from the transmitter and a **fault** signal is sent. When the door or window is closed, the magnet returns next to the transmitter and a **restore** signal is sent.

Being supervised, about every 65 minutes the transmitter sends a **status** signal to update the receiver. If the battery tests low, a **low battery** signal is included with any transmission. The transmitter is powered from one 3-Volt CR2032 lithium battery (included).

An internal switch detects if the transmitter's case is opened. Opening the case will send a **tamper** signal to the receiver.

Two screws and double-stick tape are provided for mounting the transmitter.

FEATURES



BATTERY INSTALLATION OR REPLACEMENT

MOUNTING EXAMPLES

TRANSMITTER MOUNTING

WHEN THE BATTERY IS LOW REPLACE THE BATTERY WITH A TYPE CR2032 COIN CELL

CR2032
PLUS SIDE UP !!!

WARNING
DANGER OF EXPLOSION IF BATTERY IS INSTALLED INCORRECTLY. REPLACE ONLY WITH THE SAME OR EQUIVALENT TYPE RECOMMENDED BY THE MANUFACTURER.

NOTICE TO USERS IN CALIFORNIA - CR COIN CELL LITHIUM BATTERY INFORMATION: THIS PRODUCT CONTAINS A CR COIN CELL LITHIUM BATTERY WHICH CONTAINS PERCHLORATE MATERIAL - SPECIAL HANDLING MAY APPLY - SEE www.dtsc.ca.gov/hazardouswaste/perchlorate

TWIST SCREWDRIVER HERE TO REMOVE BATTERY

KEEP AWAY FROM SMALL CHILDREN. IF BATTERIES ARE SWALLOWED, PROMPTLY SEE A DOCTOR. DO NOT TRY TO RECHARGE THESE BATTERIES. DISPOSAL OF USED BATTERIES MUST BE MADE IN ACCORDANCE WITH THE WASTE RECOVERY AND RECYCLING REGULATIONS IN YOUR AREA.

OPENING OR CLOSING THE WINDOW TRIGGERS THE TRANSMITTER

1/2" GAP MAXIMUM !!!

MAGNET ON SLIDING WINDOW

TRANSMITTER ON WINDOW SILL

TRANSMITTER ON DOOR FRAME

MAGNET ON DOOR

OPENING OR CLOSING THE DOOR TRIGGERS THE TRANSMITTER

INSTALLATION TIP: TO MINIMIZE PHYSICAL SHOCK TO THE UNIT, ALWAYS MOUNT THE TRANSMITTER ON THE STATIONARY PART OF THE OPENING

DOUBLE STICK TAPE

SCREWS - OR -

PUNCH OUT MOUNTING PLATE KNOCKOUTS AND ATTACH WITH TWO SCREWS PROVIDED

MOUNT WITH BATTERY AREA DOWN FOR MAGNET ON LEFT

MOUNT WITH BATTERY AREA UP FOR MAGNET ON RIGHT

MOUNTING THE TRANSMITTER WITH DOUBLE STICK TAPE IS NOT ALLOWED IN UL INSTALLATIONS

PROGRAMMING

SPECIFICATIONS

LINEAR LIMITED WARRANTY

For a detail programming guide, the instruction manual should be consulted for that panel. The below guide should only be used as a reference and not as a replacement for using the panel programming instructions.

1. Enter panel programming
2. Enter zone
3. Enter serial ID (auto-learn or Manual)

To Auto - Learn

- hit "bypass"
- fault and restore the device

To Manual Learn

- Enter serial ID (listed on back)
- Enter checksum (digit after the "." on serial ID) For A-F use 0-5 (See Below)

4. Enter Point "1"
5. Push on/off to Save

Alpha Numeric Conversion

A = *0	D = *3
B = *1	E = *4
C = *2	F = *5

Operating Temperature: 32° to 120° F (0° to 49° C)

Operating Relative Humidity: 5 to 95%, non-condensing

Operating Frequency: 319.5 MHz

Battery Type: 3-Volt CR2032 Lithium Battery

This Linear product is warranted against defects in material and workmanship for twelve (12) months. **This warranty extends only to wholesale customers** who buy direct from Linear or through Linear's normal distribution channels. Linear does not warrant this product to consumers. Consumers should inquire from their selling dealer as to the nature of the dealer's warranty, if any. **There are no obligations or liabilities on the part of Linear LLC for consequential damages arising out of or in connection with use or performance of this product or other indirect damages with respect to loss of property, revenue, or profit, or cost of removal, installation, or reinstallation.** All implied warranties, including implied warranties for merchantability and implied warranties for fitness, are valid only until the warranty expires. **This Linear LLC Warranty is in lieu of all other warranties express or implied.**

All products returned for warranty service require a Return Product Authorization Number (RPA#). Contact Linear Technical Services at 1-800-421-1587 for an RPA# and other important details.

IMPORTANT !!!

Linear radio controls provide a reliable communications link and fill an important need in portable wireless signaling. However, there are some limitations which must be observed.

- * For U.S. installations only: The radios are required to comply with FCC Rules and Regulations as Part 15 devices. As such, they have limited transmitter power and therefore limited range.
- * A receiver cannot respond to more than one transmitted signal at a time and may be blocked by radio signals that occur on or near their operating frequencies, regardless of code settings.
- * Changes or modifications to the device may void FCC compliance.
- * Infrequently used radio links should be tested regularly to protect against undetected interference or fault.
- * A general knowledge of radio and its vagaries should be gained prior to acting as a wholesale distributor or dealer, and these facts should be communicated to the ultimate users.

This device complies with FCC Part 15 and Canada Rules and Regulations. Operation is subject to the following two conditions: (1) This device may not cause harmful interference and (2) this device must accept any interference received, including interference that may cause undesired operation.