

Network Public View Display (NPVD)

Conventional Public View Displays (PVDs) combine surveillance and security with advertising and marketing by housing a camera in a monitor displaying marketing content. Aigis' NPVDs add to this framework by enabling web-based content management via Aigis' Digital Signage (ADS) Software. This layer of manageability adds a variety of functionality with no additional equipment requirements. ADS Software eases the process of rolling out a NPVD-based marketing campaign by enabling a user to remotely alter the on-screen content of every display on the network with the click of a button. Whether a campaign is assigned to every display, a specific group of displays, or a single display, ADS Software ensures a cohesive rollout each and every time. Aigis' NPVDs with ADS Software truly do provide the freedom to manage from anywhere.

Aigis Digital Signage (ADS) Software

Manage screen layouts, load images into a play list, and assign start and end times using the scheduling feature of ADS Software. Screen layout options include custom sizing up to three simultaneous frames of formatted scrolling text, static images, or play lists of images. The Emergency Message feature allows a user to override any content currently being displayed and replaces it with text instructions, an image such as an evacuation route, or any combination of the two. The ADS Software can schedule and send RS232 commands to the display to adjust the source of the image on the main display between the on-board camera, the output from the ADS software, or an external video input.



Secure Content Management

Each display is pre-programmed to periodically poll out to a single preset website to check for updates and download new content or play lists. The preset website cannot be changed without local insertion of a USB key that contains special software. This feature allows the displays to operate via a dedicated internet connection, or in an intranet environment, and also prevents outsiders from pushing malicious content to the displays. Initialization via USB key makes setting up new units quick and easy.

Remote Access

Accessing remote displays merely requires logging into a password-secured website from a standard web browser. The ADS Software alerts the user to any displays that have lost connectivity and require attention. The Software as a Service (SaaS) architecture eliminates the need for multiple licenses and simplifies the software update process. The Administrator can create new user accounts and assign control permissions.

SPECIFICATIONS

LCD Display

	26"	32"	37"
Resolution	1366H x 768V Pixels WXGA		
Pixel Pitch	0.1405mm x 0.4215mm	0.170mm x 0.510mm	0.200mm x 0.600mm
Brightness	600 cd/m ²		
Contrast Ratio	1400 : 1	1600 : 1	
Viewing Angle	178 / 178 U/D/L/R		
Color Depth	8bit / 16.7M Colors		
Response Time	8ms		
Lamp Life	50,000+ Hours		

Network Features

Network Connector	1 x RJ45 Ethernet Port
Network Type	Intranet or Internet
Supported Formats	Text: .TXT Files
	Images & Slide Shows: .JPG, .GIF, .PNG
User Interface	Standard web browser.
Security Features	Password-protected website login, user permission levels, secure content retrieval.
Content Retrieval	Display is hard-coded to view only one website for content retrieval.
Content Management	Internet based playlist scheduling.
Scope of Control	Remotely control screen content of multiple displays in any location.
Emergency Messaging	Allows images and/or text to be displayed on a display or group of display within one minute of execution.
Event Logging	Playlist on-screen duration, loss of signage connectivity, and RS232 commands are all recorded as events.

Display Features

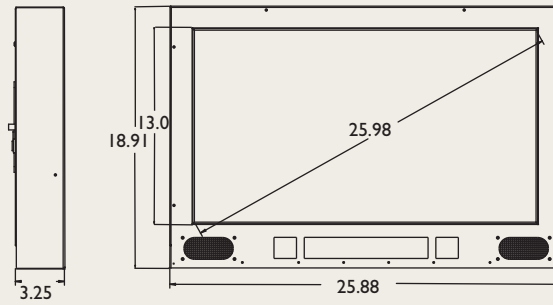
	26"	32"	37"
Video Feeds	Internal Camera Out, External Video In, External Video Loop Out		
Video Connectors	3 x BNC Connectors		
Picture-In-Picture	OSD Controls Size (Sm, Lg, Split) and Location of PIP Window		
VESA Standard Compatible	75mm and 100mm Hole Patterns		
Construction	Aluminum Casing with Acrylic Accessory Window, Powder Coated White or Black		
Motion Sensor	OSD Controls Sensitivity, Action Upon Motion and Dwell Time		
Light Sensor	OSD Controls Sensitivity		
Remote Controller	14 Button Remote, Batteries Included		
Video System	NTSC		
Input Power	115VAC, +/- 10%		
Power Requirement	125W	150W	175W

Camera and Lens

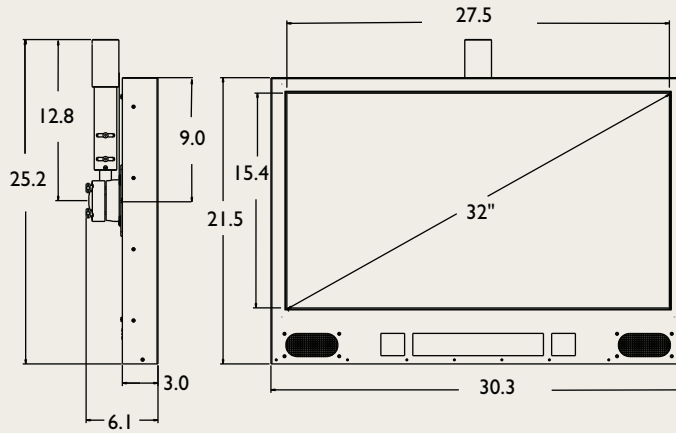
	Color Hi-Res	Wide Dynamic
Image Sensor	1/3" Sony Super HAD CCD	1/3" Pixim DPS Sensor
Signal System	NTSC	NTSC
Effective Pixels	768 (H) x 494 (V)	720 (H) x 480 (V)
Resolution	540TVL	
Minimum Illumin	0.1Lux/F1.2	0.5Lux/F1.2;0.08
Dynamic Range	n/a	101dB Typ., 120dB Max
S/N Ratio	>48dB	>50dB
Control Method	n/a	OSD
Electronic Shutter	1/60 - 1/100,000 sec	Auto
White Balance	Auto	ATW/AWB/Manual/ATW Extend
AGC	Auto	
BLC	Auto	
Gamma Correction	0.45	
Lens	2.8-11mm Auto-Iris	
Power Supply	12VDC	12VDC / 24VAC
Operating Temperature	-10°C ~ +50°C (+14°F ~ +122°F), 90% RH Max	

Dimensional Outlines

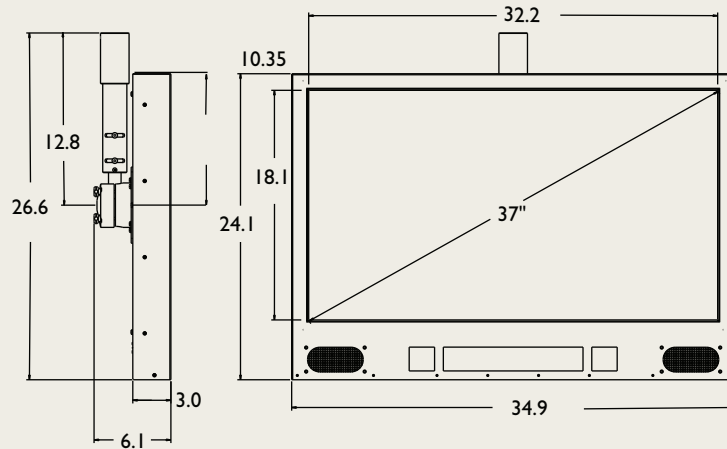
NPVD 26"



NPVD 32"



NPVD 37"



©2010 Aigis Mechtronics
www.aigismech.com

1124 Louise Road, Winston-Salem, NC 27107-5450
Tel: 877.523.6500 Fax: 336.785.7744

Preliminary 01_10 v002
Printed in U.S.A.