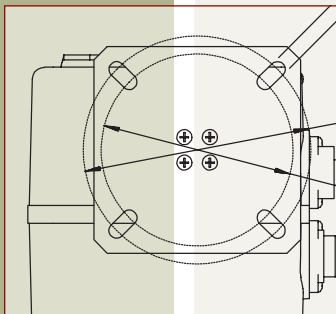
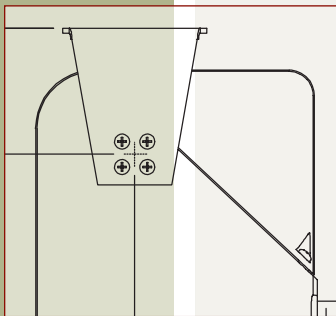
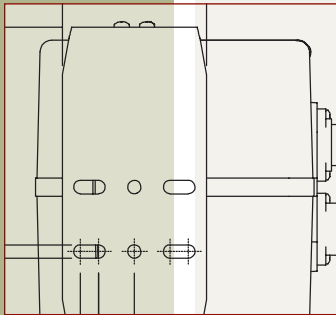




- Smooth Motion, Solid Design
- Economical
- 100% Duty Cycle Motors
- Upright or Inverted Operation
- Permanently Lubricated
- Pre-Position Models Available

Light Duty Outdoor Pan/Tilts



PT9409 Series

The PT9409 Series weatherproof pan/tilts are robust, economical units constructed with corrosion resistant hardware. These remote positioning devices are fully system compatible with CCD cameras, lenses, and housing combinations.

The 100% duty cycle motors permit continuous operation on all models. The modular gear-motors allow for "no alignment service". All-metal gearing, hardened steel drive shafts, and direct drive output offer superior reliability. Use of impedance protected motors, long life limit switches, and permanent lubricated bearings and gears reduce maintenance and provide trouble-free operation.

SPECIFICATIONS

ELECTRICAL

Model No. ¹	Rated Motor Voltage	Operational Range	Total Pan Angle (No Fixed Stop)
Standard Models			
PT9409-6	115 VAC, 60 Hz	103 to 126	15° to 355°
PT9409-2	24 VAC, 60 Hz	21.6 to 26.4	15° to 355°
PT9409-1	24 VAC, 50 Hz	21.6 to 26.4	15° to 355°
PT9409-5	230 VAC, 50 Hz	198 to 265	15° to 355°
Pre-Position Models			
PT9409-6P	115 VAC, 60 Hz	103 to 126	15° to 355°
PT9409-2P	24 VAC, 60 Hz	21.6 to 26.4	15° to 355°
PT9409-1P	24 VAC, 50 Hz	21.6 to 26.4	15° to 355°
PT9409-5P	230 VAC, 50 Hz	198 to 265	15° to 355°

1. The total power for all models with both motors running, is **18 W**. Single phase power sources only.

Connectors:

Power: Via 7-pin connector on unit.

Positioning: Via 7-pin connector on unit.

Mating connectors provided with unit.

ELECTROMAGNETIC COMPATIBILITY

EMC Requirements: CE Immunity, CE Emission Class B.

Safety: CE, UL, cUL.

Recommended Maximum Cable Lengths:

Model Voltage	Wire Size		Distance	
	mm ²	AWG	Feet	Meters
24 VAC	0.5	20	190	58
	1	18	300	91
	1.5	16	475	145
	2.5	14	775	236
	4	12	1250	381
115 VAC	0.5	20	4600	1402
	1	18	7400	2256
	1.5	16	11600	3537
	2.5	14	18900	5762
	4	12	30000	9146
230 VAC	6	10	46600	14146
	0.5	20	25000	7622
	1	18	39500	12043
	1.5	16	59600	18172
	2.5	14	100700	30701
	4	12	160300	48872

1. Values calculated at 68 °F (20 °C) using stranded copper wire, a single conductor Pan/Tilt common (neutral) wire, and with both PAN and TILT motors operating simultaneously.

MECHANICAL

Mounting: These units are designed for either upright or inverted installations. **When mounting in an inverted position outdoors, unit must be enclosed in a weatherproof enclosure.** They can only be mounted upright or inverted; never horizontally.

Pan Range (Movement in horizontal plane):

Standard Models: 0° to 345° maximum.

Pan Speed: 7.5°/sec at 60 Hz (6.3°/sec at 50 Hz).

Tilt (Movement in vertical plane): +20° to -90° from horizontal.

Tilt Speed: 3.5°/sec.

Maximum Load: 11 lb (5.0 kg) or 56.5 lb-in (65 kg-cm) torque with center of mass located 2.5 in (63.5mm) from the center of the tilt table.

Construction: Cast aluminum base and yoke, corrosion resistant plastic cover.

Finish: Light gray.

Dimensions: See **Dimensional Outline**.

Weight: 10.5 lbs (4.8 kg).

ENVIRONMENTAL

Temperature:

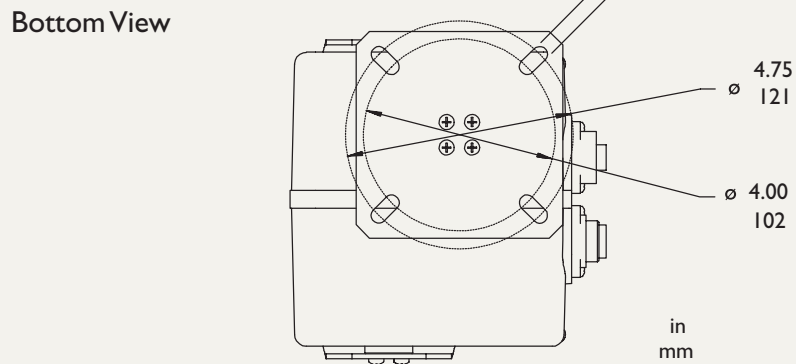
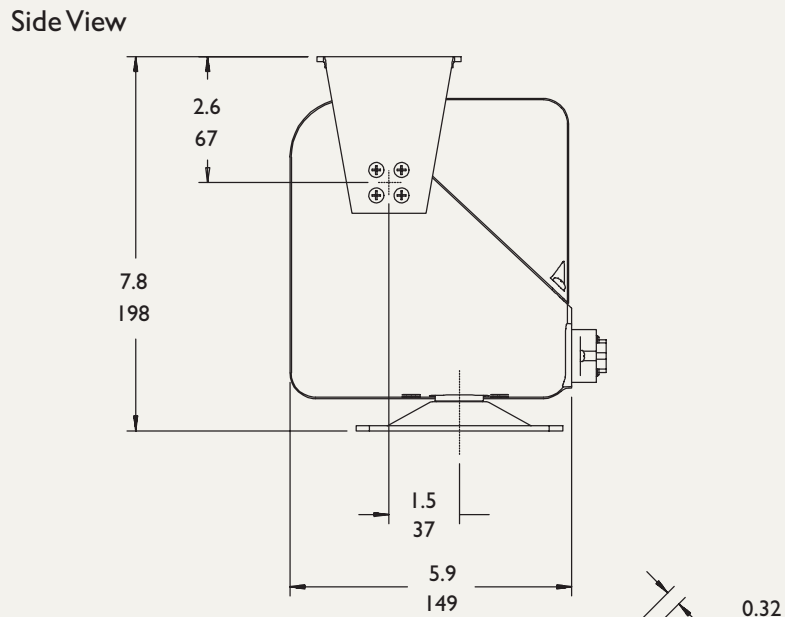
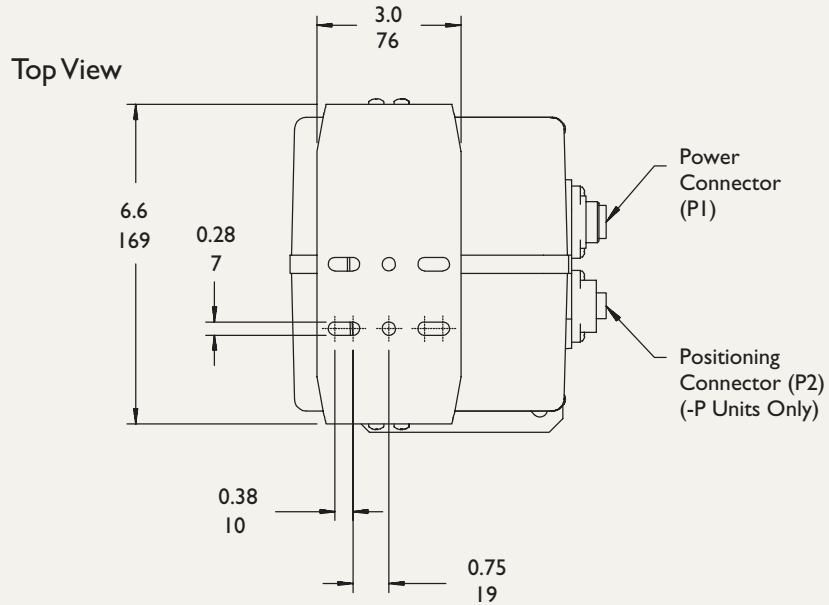
Operating: -4 °F to +140 °F (-20 °C to +60 °C).
Storage: -40 °F to +140 °F (-40 °C to +60 °C).

Vibration: 3 g swept sine wave, 15 Hz to 2000 Hz.

Shock: 50 g, 11 ms, 1/2 sine.

Enclosure: Designed to NEMA-4, IP65/UL50, (Watertight) Enclosure Type 4X. (Upright mounting)

PT9409 SERIES DIMENSIONAL DRAWING





mechtronics

©2003 Aigis Mechtronics

1124 Louise Road, Winston-Salem, NC 27107-5450

Tel: 336.785.7740 Fax: 336.785.7744

www.aigismech.com

Data subject to change without notice

04/04 rev_01
Printed in U.S.A.