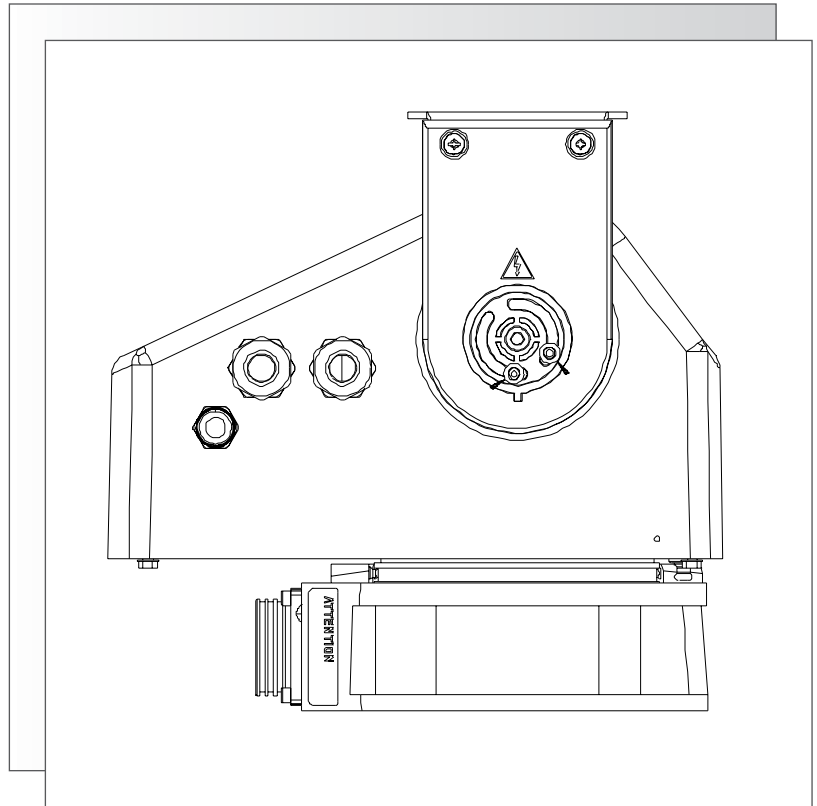



MEDIUM DUTY PAN/TILTS




PT9420-2PSL
PT9420-1PSL

SAFETY PRECAUTIONS



CAUTION

RISK OF ELECTRIC SHOCK. DO NOT OPEN!



CAUTION: TO REDUCE THE RISK OF ELECTRICAL SHOCK, DO NOT OPEN COVERS. NO USER SERVICEABLE PARTS INSIDE. REFER SERVICING TO QUALIFIED SERVICE PERSONNEL.

This label may appear on the bottom of the unit due to space limitations.



The lightning flash with an arrowhead symbol, within an equilateral triangle, is intended to alert the user to the presence of uninsulated "dangerous voltage" within the product's enclosure that may be of sufficient magnitude to constitute a risk of electric shock to persons.



The exclamation point within an equilateral triangle is intended to alert the user to presence of important operating and maintenance (servicing) instructions in the literature accompanying the appliance.

WARNING
TO PREVENT FIRE OR SHOCK HAZARD, DO NOT EXPOSE UNPROTECTED COMPONENTS TO RAIN OR MOISTURE.

UNPACKING

Unpack carefully. This is electro-mechanical equipment and should be handled with care.

Check for the following items:

- Model number of unit.
- Instruction Manuals in addition to this manual:
 PT9418 Series, PT9420 Series

If an item appears to have been damaged in shipment, replace it properly in its carton and notify the shipper. If any items are missing, notify Aigis Mechtronics. The shipping carton is the safest container in which the unit may be transported. Save it for possible future use.

SERVICE

If the unit ever needs repair service, the customer should contact Aigis Mechtronics.

1 INSTALLATION

This publication should be used in conjunction with the **Instructions for Use** for the **PT9418 Series, PT9420 Series** except as noted herein.



This installation should be made by qualified service personnel and conform to the National Electrical Code and applicable local codes.

1.1 Model Designation

Continuous Pan Models with Pre-Position

Model No.	Rated Motor Voltage	Voltage Range	Pan Range
PT9420-2PSL	24 VAC, 60 Hz	21.6 to 26.4	0° to 360°
PT9420-1PSL	24 VAC, 50 Hz	21.6 to 26.4	0° to 360°

These models allow 360 degree rotational (pan) operation. They have no pan stops. These units can be manually panned left or right or they can be panned continuously left or right by auto-pan activation. Auto-Pan activation requires wiring connections to pin 16 (Pan Left), pin 18 (Pan Right), and pin 19 (Common). See **Wiring Diagram**.

For pre-position operation, these units require wiring connections to pins 1 through 4 and pin 15, and the use of a controller or receiver/driver with the pre-position function.

1.8 Connector Assembly

WIRE DESIGNATION AND PIN CONNECTIONS

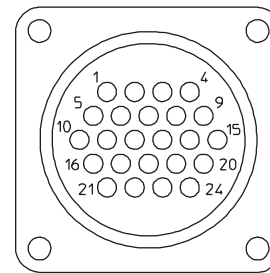


Figure 2: Pin Outs

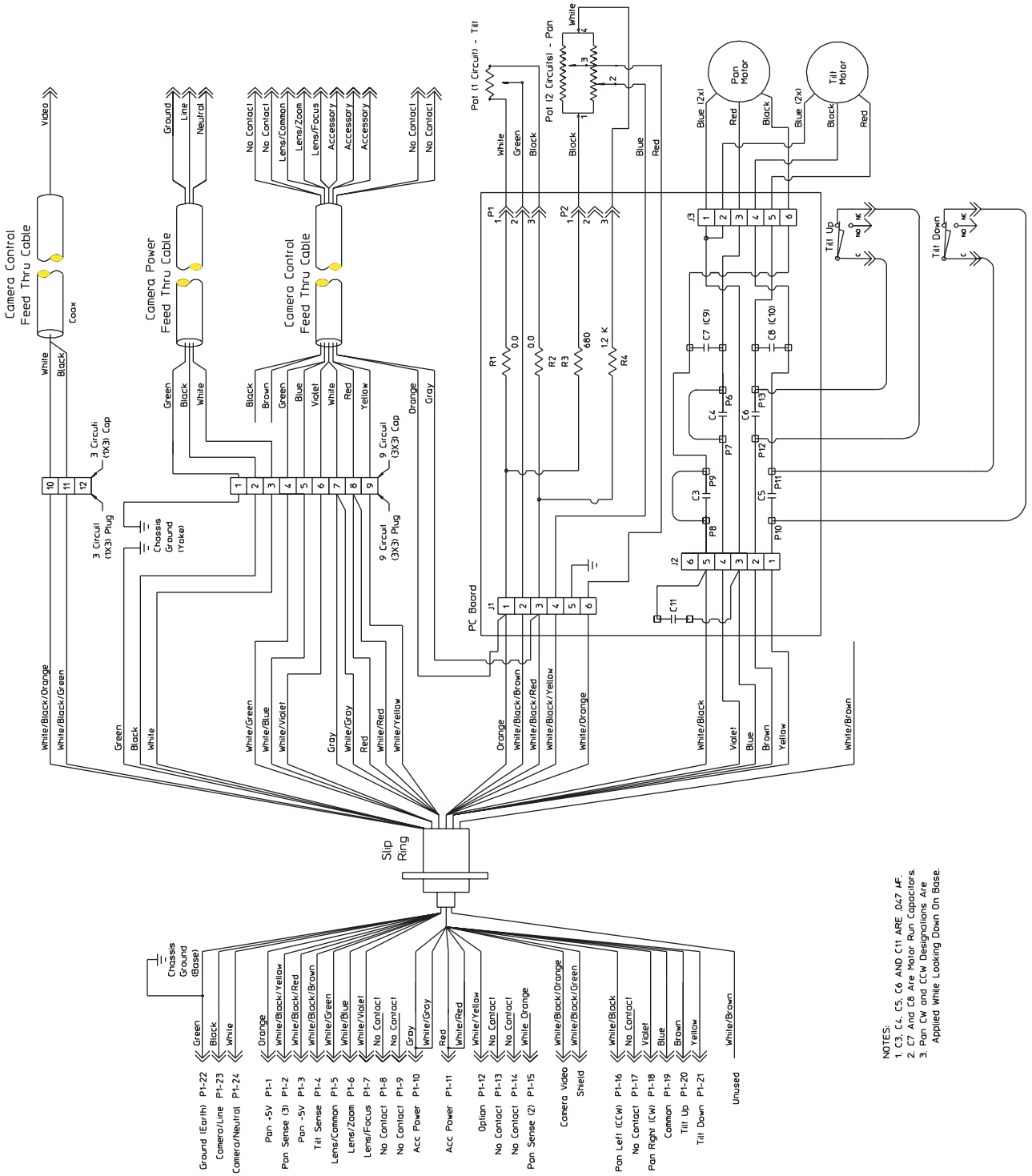
PT9420-2PSL, PT9420-1PSL 360° Pre-Position Models

Pin Number	Color
1: Pan +5V	Orange2
2: Pan Sense (3)	Wht/Blk/Yel2
3: Pan -5V	Wht/Blk/Red2
4: Tilt Sense	Wht/Blk /Brn 2
5: Lens Common	Green2
6: Zoom	Blue2
7: Focus	Violet2
8: NCI	
9: NCI	
10: Accessory	White2
11: Accessory	Red2
12: Accessory	Yellow2
13: NCI	
14: NCI	
15: Pan Sense (2)	White/Orange
16: Pan Left	White
17: NCI	
18: Pan Right	Violet
19: P/T Common	Blue
20: Tilt Up	Brown
21: Tilt Down	White/Yellow
22: Ground	Green/Yellow
23: Camera AC-Line	Black2
24: Camera AC-Neutral	White2

Notes

1. NC -- No Connection, do not use.
2. (Color Codes) indicate feed-thru wiring to camera/housing.

3 WIRING DIAGRAMS



NOTES:
 1. C3, C4, C5, C6 AND C11 ARE 0.07 uF.
 2. C7 AND C8 ARE MOTOR RUN CAPACITORS.
 3. PAN CW AND CCW DESIGNATIONS ARE APPLIED WHILE LOOKING DOWN ON BASE.

Wiring Diagram - 360° Models with Pre-Position



©2002 Aigis Mechtronics

1124 Louise Road, Winston-Salem, NC 27107-5450

Tel: 336.785.7740 Fax: 336.785.7744

Data subject to change without notice

100 0048 001 AIG 10/02

Printed in U.S.A.