

CONGRATULATIONS!

Your purchase of an M&S Systems music and communications system is an investment that will provide years of enjoyment and service for your customer.

M&S audio products are backed with more than 40 years of experience in the design and manufacture of precision acoustical equipment for the home. To ensure that your customer receives the high-quality music and voice reproduction that the system is designed to deliver, it is important that each step of the installation be done carefully. If you follow the step-by-step illustrated instructions below, the result will be a successful professional quality installation. In the event you need troubleshooting assistance, please call our technical staff at 1-800-366-9422.

INSTALLATION INSTRUCTIONS RT11 REMOTE POWER SUPPLY KIT

Intended use: MCI IIM/DM Master units, optional DRW/DRM door release systems.

Tools required: Standard flat screwdriver #1, wirestripper/cutter.

DOs & DONT's

- ☛ **USE ONLY THE M&S SYSTEMS BRAND CABLE INCLUDED IN THIS KIT.** The cable is designed and constructed with electrical specifications necessary for proper audio performance. **IMPORTANT: THE USE OF NON M&S SYSTEMS BRAND CABLE OR CABLE SUBSTITUTION WILL VOID PRODUCT WARRANTY.** *Note: All M&S Systems cable has the M&S Systems name and the part number printed on it!*
- ☛ **DO NOT** plug in the transformers until the master is connected and all remote stations are connected.
- ☛ **DO** follow all national and local electrical codes.
- ☛ **DO NOT SPLICE CABLES.** Splices are unreliable and increase the chances of introducing a wiring error.
- ☛ **DO NOT** lengthen the cable. Added cable will reduce the power available at the master and lead to system malfunction.
- ☛ **DO NOT** remove or defeat the ground prong on the transformers. Always install these transformers into properly grounded 120VAC receptacles. (NEMA 5-15R)

Connect the 50-foot power cable assembly to the transformer **exactly** as shown in figure 1. The transformer must be connected *color for color* as shown in figure 1. *Note: The cable may be cut at the transformer end if wire length is excessive, however, do not lengthen the cable longer than the 50-foot length supplied.*

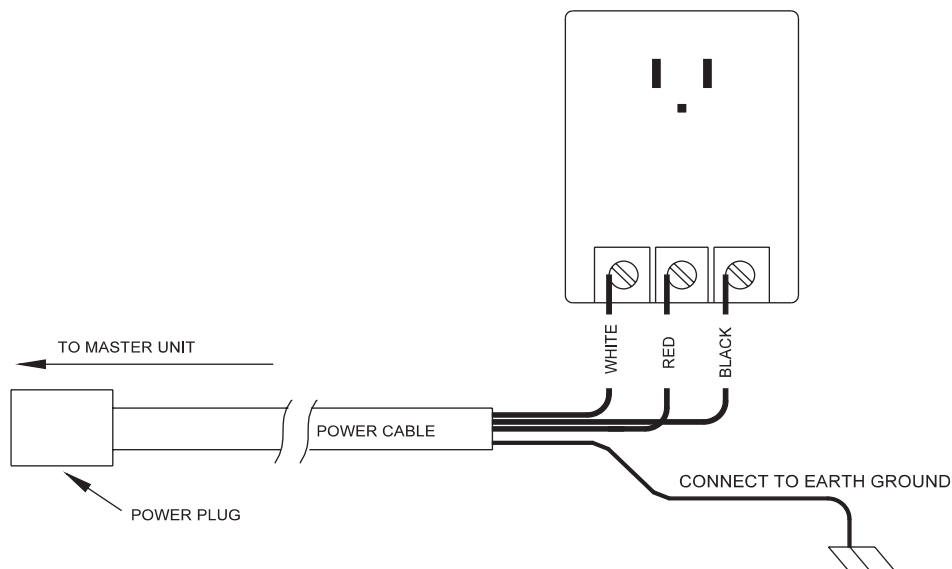


Figure 1 Transformer connection

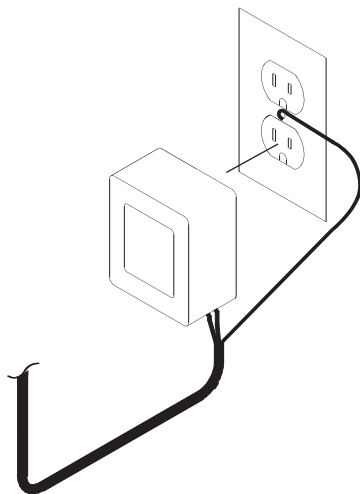


Figure 2 Ground connection

After the remote station wiring has been completed at the master unit, connect the power plug from the power cable to the master unit. Mount the master unit to the wall. Check all functions by following the guidelines in the operating guide shipped with the master unit. If any difficulties are encountered, recheck all connections. If, after reviewing these instructions and the instructions for your system, you are unable to resolve any problems, contact technical support at 1-800-366-9422