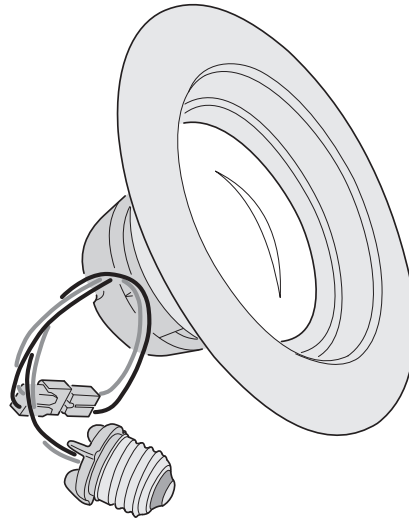


**650 Lumens
Equivalent
to a 65 Watt
incandescent
light bulb**



NOTE: This unit must be added to the Network **only where it will be permanently installed**. The proper operation of this node in the mesh network is dependent on it knowing its location with respect to other nodes. You cannot "test bench" configure this unit, then install.

LB65R6Z-1 Z-WAVE SMART LED RECESSED RETROFIT LIGHT KIT

The GoControl™ family of Z-Wave® certified wireless lighting products (smart LED bulbs, switches, dimmers, outlets, and plug-in modules) and security devices (alert sounder, passive infrared sensor and door/window transmitter) bring a new level of intelligent wireless capability to commercial and residential environments.

The Z-Wave wireless protocol is an international wireless standard for remote home automation, security and other applications. Embedded in each device, the Z-Wave smart chip enables two-way RF communication among hundreds of Z-Wave enabled devices, allowing products and services from multiple manufacturers to work seamlessly.

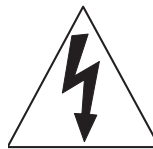
The LB65R6Z-1 Smart LED Recessed Retrofit Light Kit is designed to replace a conventional incandescent halogen downlight. It is simple to set up and provides longer life and more energy efficiency than incandescent or florescent light bulbs. The fixture is instant on, without the warm-up delay common in CFL bulbs.

GoControl Z-Wave products are easy to install, and allow dealers to create an integrated wireless network with nearly limitless expansion and interoperability with security, energy management, home entertainment, appliances, and more.

As part of a Z-Wave network, the LB65R6Z-1 will also act as a wireless repeater to insure that commands intended for another device in the network are received. This is useful when the device would otherwise be out of the radio range of the wireless controller.

For indoor use only. Retain instructions for future use.

WARNINGS



CAUTION
RISK OF ELECTRIC SHOCK
DO NOT OPEN



RISK OF FIRE OR ELECTRICAL SHOCK - DO NOT EXPOSE THIS APPARATUS TO RAIN OR MOISTURE - USE IN DRY LOCATION ONLY.



TO PREVENT WIRING DAMAGE OR ABRASION, DO NOT EXPOSE WIRING TO EDGES OF SHEET METAL OR OTHER SHARP OBJECTS.



DO NOT MAKE OR ALTER ANY OPEN HOLES IN THE ENCLOSURE OF WIRING OR ELECTRICAL COMPONENTS DURING KIT INSTALLATION.



THIS LAMP IS NOT INTENDED FOR USE AS EMERGENCY LIGHTING.



VAPOR BARRIER MUST BE SUITABLE FOR 194° F (90° C)



THIS PRODUCT IS NOT SUITABLE FOR COVERING WITH THERMAL INSULATED MATERIAL.



THIS PRODUCT IS NOT SUITABLE FOR MOUNTING ON A FLAMMABLE SURFACE.



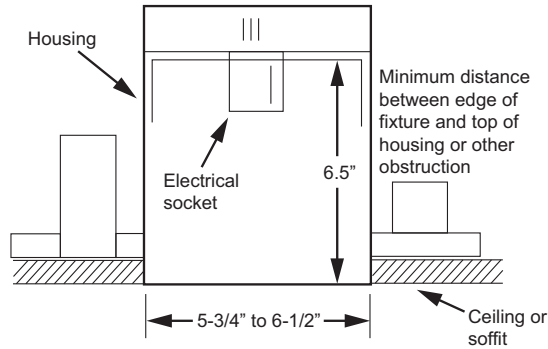
KEEP THE LIT SURFACE A MINIMUM OF 18" (.5 m) AWAY FROM ANY FLAMMABLE OBJECT

⚠ WARNING ⚠
BEFORE INSTALLATION, TURN THE POWER TO THE HOUSING OFF!

INSTALLATION SETUP

Recessed Housing Compatibility

The LB65R6Z-1 is designed to be installed in a standard 5" or 6" recessed downlight housing. For adequate clearance, it may be necessary to remove the housing's socket mounting plate before installing the light.

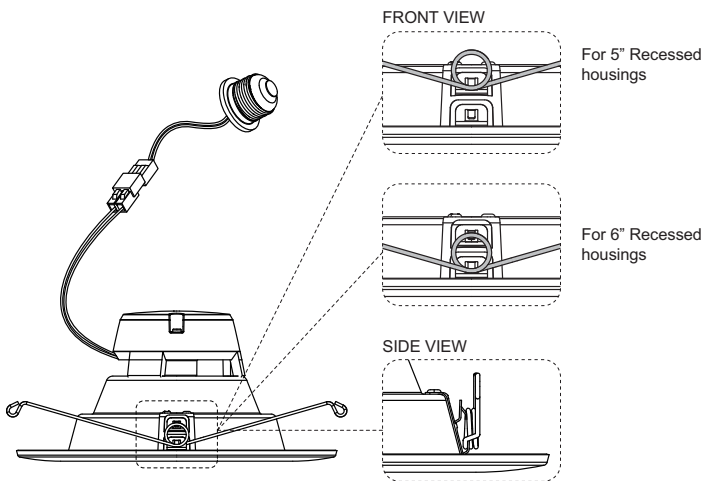


✓ **NOTE: Not all existing 5" and 6" recessed housings are compatible with the LB65R6Z-1. To ensure compatibility, test fit the installation.**

Torsion Spring Setup

The two torsion springs that retain the LB65R6Z-1 in the housing can be set for 5" or 6" recessed housings.

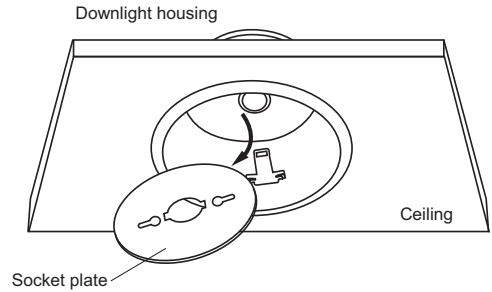
- For a 5" recessed housing, install the torsion springs in the clip closest to the **rear** of the light.
- For a 6" recessed housing, install the torsion springs in the clip closest to the **front** of the light.



INSTALLATION (Recessed Incandescent Housing)

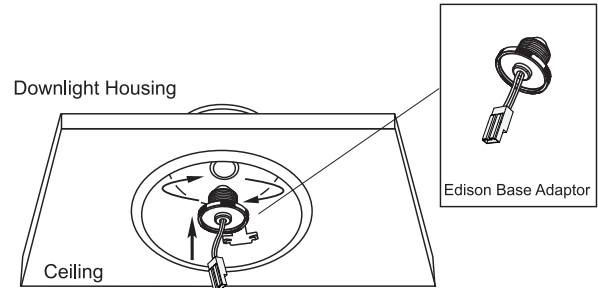
Housing Preparation

If the existing housing has an internal socket plate, remove it from the housing.



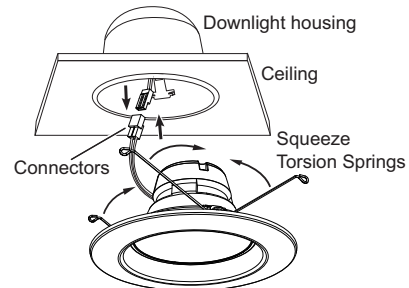
Install Edison Base Adaptor

Screw the Edison Base adaptor into the housing's electrical socket.



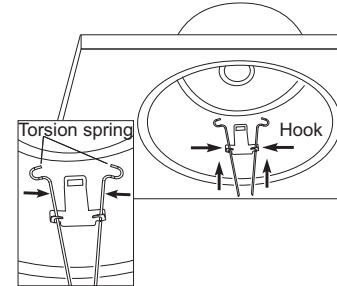
Connect and Mount Fixture

Hold the fixture up to the housing and press the two electrical quick connect plugs together. Squeeze the two torsion springs to align them with the housing mounting hooks.



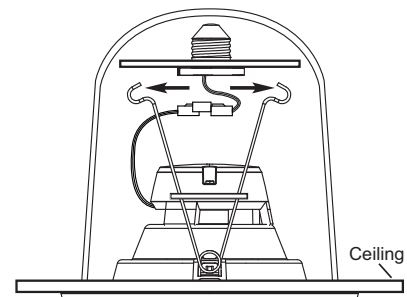
Attach the Fixture to the Housing Hooks

Fit the two torsion springs into the two hooks on the inner downlight housing.



Slide Fixture into Housing

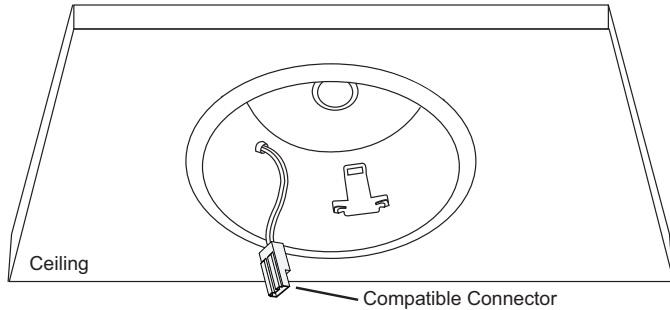
Slide the fixture up into the housing. The torsions springs will hold the fixture securely in place.



INSTALLATION (Existing Recessed LED Housing)

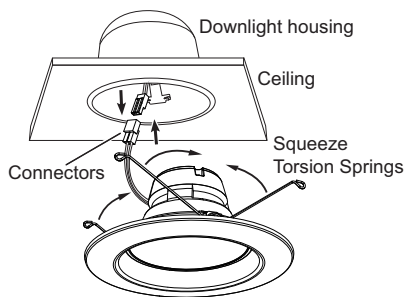
Housing Inspection

Verify that the existing housing has a compatible quick connector.



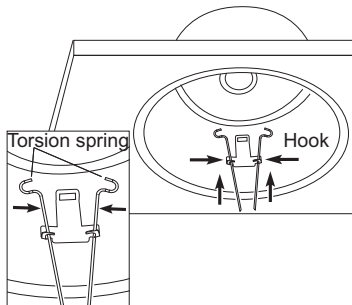
Connect and Mount Fixture

Hold the fixture up to the housing and press the two electrical quick connect plugs together. Squeeze the two torsion springs to align them with the housing mounting hooks.



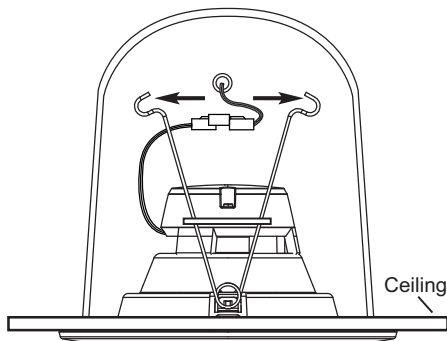
Attach the Fixture to the Housing Hooks

Fit the two torsion springs into the two hooks on the inner downlight housing.



Slide Fixture into Housing

Slide the fixture up into the housing. The torsions springs will hold the fixture securely in place.



Adding to a network:

Refer to your Controller operating instructions to add this fixture under the command of the Wireless Controller.

1. With your controller in Discovery or Add Mode, turn the power to the light fixture socket **ON**.
2. You should see an indication on your Controller that the device was added to the network. The LB65R6Z-1 will flash twice.
3. The device will appear in the list of Switches. It should display multi-level switch.

If the Controller/Gateway shows the addition failed, repeat Steps 1-3.

✓ **NOTE:** If you have trouble adding the LB65R6Z-1 to a group it may be that the Home ID and Node ID were not cleared from it after testing. You must first "RESET UNIT" to remove it from the network. Although adding it to a group includes it in the network, removing it from a group does not remove it from the network. If removed from a group, it functions as a repeater (only). "RESET UNIT" removes it completely from the network.

To Reset Unit (If Required)

In the event that your primary controller is lost or otherwise inoperable, to reset the fixture and clear all network information, follow these steps:

1. Use the wall switch to turn the power to the fixture **OFF** then **ON** four times within four seconds.
2. The LB65R6Z-1 will flash twice when the reset occurs.

Before repeating the steps above, try moving the LB65R6Z-1 to a socket in the same room as the Controller/Gateway in case the preferred socket is out of range initially.

Repeat Steps 1-3 above until the LB65R6Z-1 is added to the network. Once the fixture has been successfully added to the network, move it to the preferred location.

Removing from a network:

The LB65R6Z-1 can be removed from the network by the Controller/Gateway. Refer to the Controller operating instructions for details.

1. Set the Controller into Removal Mode, and follow its instruction to delete the LB65R6Z-1 from the Controller.
2. Reset the fixture by using the wall switch to turn the power to the fixture **ON**. The LB65R6Z-1 will flash twice to confirm the removal.

BASIC OPERATION

Remote Control Operation

The LB65R6Z-1 can be controlled ON / OFF / BRIGHT / DIM through wireless signals from the Z-Wave remote controller or through a gateway via an application on a smart phone, tablet, or PC.

Once the LB65R6Z-1 has been added to the network, depending on the functions supported by your controller, it can be assigned to a Group or Scene and operate when the ALL ON or ALL OFF command is received from the Controller. It can also be set in Association with another Z-Wave device to perform a specific duty.

Manual Operation

The LB65R6Z-1 can be manually operated using the wall switch while keeping it on-line with the Z-Wave network.

To manually turn the LB65R6Z-1 ON:

Flip the wall switch **OFF** then **ON**. Be sure the switch is **ON** when finished.

To manually turn the LB65R6Z-1 OFF:

Flip the wall switch **OFF** then **ON** twice within two seconds. Be sure the switch is **ON** when finished.

CONFIGURATION

The LB65R6Z-1 supports the Configuration command. The LB65R6Z-1 can be configured to operate slightly differently than how it works when you first install it. Using the Configuration command you can configure the following:

Parameter 1: Dim Level Memory

By default, the LB65R6Z-1 bulb will go to full brightness when turned on. To have the bulb turn on to the last dim level setting, set Parameter 1 to 1.

Parameter	Length	Valid Values	Configuration Option
1	1 Byte	0	Bulb will be full brightness when turned on (default)
		1	Bulb will turn on to the last dim level setting

Parameter 9: Dim / Bright Step Level

When the brightness is adjusted by the controller/gateway, how much the bulb brightness will change is set by the programmed dimming step level.

Parameter	Length	Valid Values	Configuration Option
9	1 Byte	1 - 99	Default = 1
			The step level is small when the value is low
			The step level is large when the value is high

Parameter 10: Dim / Bright Speed

When the brightness is adjusted by the controller/gateway, how fast the bulb brightness will change is set by the programmed dimming step speed.

Parameter	Length	Valid Values	Configuration Option
10	1 Byte	1 - 10	Default = 3
			The step speed is fast when the value is low
			The step speed is slow when the value is high

Example: If Parameter 9 is set to the default value of 1, setting Parameter 10 from 1 to 10 will equal the number of seconds it takes to dim down the bulb when the bulb is turned off, i.e. 1 equals 1 second for the bulb to dim down and turn off, 10 equals 10 seconds for the bulb to dim down and turn OFF.

Z-Wave Plus Features

The LB65R6Z-1 contains a Z-Wave 500 Series Module that supports Z-Wave Plus features. A Z-Wave certified portable or stationary controller can communicate with the Z-Wave 500 Series Module.

Depending on the capability of the controller or gateway software, the following operations can be performed with the LB65R6Z-1. Refer to the controller or gateway manual for details.

- Turn the fixture ON and OFF.
- Dim the fixture.
- Add or Remove the LB65R6Z-1.
- Assign the LB65R6Z-1 to a specific Group/Scene and/or to include the fixture as part of ALL ON or ALL OFF system commands.
- Over-the-air firmware update by the gateway or static controller.
- Lifeline function which automatically notifies the associated modules and the network that a manually reset device is no longer in the network, thus, the corresponding association becomes invalid.

INTEROPERABILITY WITH Z-WAVE DEVICES

A Z-Wave network can integrate devices of various classes of products, and these devices can be made by different manufacturers. The GoControl LB65R6Z-1 has Z-Wave certification which guarantees interoperability.

ASSOCIATION

The LB65R6Z-1 supports one Group with five Nodes for lifeline communication. Group 1 must be assigned the Node ID of the controller to which unsolicited notifications from the LB65R6Z-1 will be sent. The Z-Wave controller should set this association automatically after inclusion. You can associate up to five Z-Wave devices to Group 1. Lifeline association only supports the "manual reset" event.

For instructions on how to "set lifeline association" please refer to your wireless controller instructions.

SPECIFICATIONS

Power Supply	120 VAC, 60 Hz
Brightness	650 lumens (Equivalent to 65 Watt incandescent light bulb)
Power Consumption	8.5 Watts
Color Temperature	2700K
Fixture Lifetime	25,000 hours (equivalent 22.8 years based on 3 hours/day)
Radio Frequency	908.4 MHz / 916 MHz
Wireless Range	Up to 130 feet line of sight between the Z-Wave Controller and/or the closest Z-Wave Repeater
Normal Operating Temp	77°F (25°C)
Repeater	Yes
Fits Recessed Fixture Size	5" to 6" diameter
Z-Wave® and Z-Wave Plus® are registered trademarks of Sigma Designs and its subsidiaries in the United States and other countries.	

REGULATORY INFORMATION

The LB65R6Z-1 is certified to comply with applicable FCC and IC rules and regulations governing RF and EMI emissions.

This device complies with Part 15 of the FCC Rules. Operation is subject to the following two conditions: (1) This device may not cause harmful interference, and (2) This device must accept any interference received, including interference received that may cause undesired operation.

FCC Notice

This equipment has been tested and found to comply with the limits for a Class B digital device, pursuant to Part 15 of the FCC Rules. These limits are designed to provide reasonable protection against harmful interference in a residential installation.

This equipment generates, uses, and can radiate radio frequency energy and, if not installed and used in accordance with the instructions may cause harmful interference to radio communications. However, there is no guarantee that interference will not occur in a particular installation. If this equipment does cause harmful interference to radio or television reception, which can be determined by turning the equipment off and on, the user is encouraged to try to correct the interference by one or more of the following measures:

- Reorient or relocate the receiving antenna.
- Increase the separation between the equipment and receiver
- Connect the equipment into an outlet on a circuit different from that to which the receiver is connected
- Consult the dealer or an experienced radio/TV technician for help.
- Changes or modifications not expressly approved by the party responsible for compliance could void the user's authority to operate the equipment

IC Notice

This Class B digital apparatus complies with Canadian ICES-003

Cet appareil numérique de la classe B est conforme à la norme NMB-003 du Canada. Le présent appareil est conforme aux CNR d'Industrie Canada applicables aux appareils radio exempts de licence. L'exploitation est autorisée aux deux conditions suivantes : (1) l'appareil ne doit pas produire de brouillage, et (2) l'utilisateur de l'appareil doit accepter tout brouillage radioélectrique subi, même si le brouillage est susceptible d'en compromettre le fonctionnement.

This device complies with the Industry Canada license exempt RSS standard(s). Operation is subject to the following two conditions: (1) this device may not cause interference, and (2) this device must accept any interference, including interference that may cause undesired operation of the device.

WARRANTY

This Nortek Security & Control product is warranted against defects in material and workmanship for twenty four (24) months based on three (3) hours of use per day. **This warranty extends only to wholesale customers** who buy direct from Nortek Security & Control or through Nortek Security & Control's normal distribution channels. **Nortek Security & Control does not warrant this product to consumers.** Consumers should inquire from their selling dealer as to the nature of the dealer's warranty, if any. **There are no obligations or liabilities on the part of Nortek Security & Control for consequential damages arising out of or in connection with use or performance of this product or other indirect damages with respect to loss of property, revenue, or profit, or cost of removal, installation, or reinstallation.** All implied warranties, including implied warranties for merchantability and implied warranties for fitness, are valid only until Warranty Expiration Date as labeled on the product. **This Nortek Security & Control LLC Warranty is in lieu of all other warranties express or implied.** All products returned for warranty service require a Return Product Authorization Number (RPA#). Contact Nortek Security & Control Returns at 1-855-546-3279 for an RPA# and other important details.

IMPORTANT !!!

Radio controls provide a reliable communications link and fill an important need in portable wireless signaling. However, there are some limitations which must be observed.

- For U.S. installations only: The radios are required to comply with FCC Rules and Regulations as Part 15 devices. As such, they have limited transmitter power and therefore limited range.
- A receiver cannot respond to more than one transmitted signal at a time and may be blocked by radio signals that occur on or near their operating frequencies, regardless of code settings.
- Changes or modifications to the device may void FCC compliance.
- Infrequently used radio links should be tested regularly to protect against undetected interference or fault.
- A general knowledge of radio and its vagaries should be gained prior to acting as a wholesale distributor or dealer, and these facts should be communicated to the ultimate users.


NORTEK
 SECURITY & CONTROL
 USA & Canada (800) 421-1587 & (800) 392-0123
 (760) 438-7000 - Toll Free FAX (800) 468-1340
 www.nortekcontrol.com